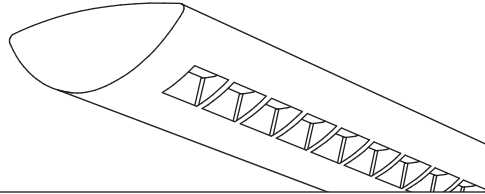


Suspended
 Direct/Indirect (High Performance)
 4 T8 - Solid Housing



Project Name

Spec Type

Notes




Order Guide

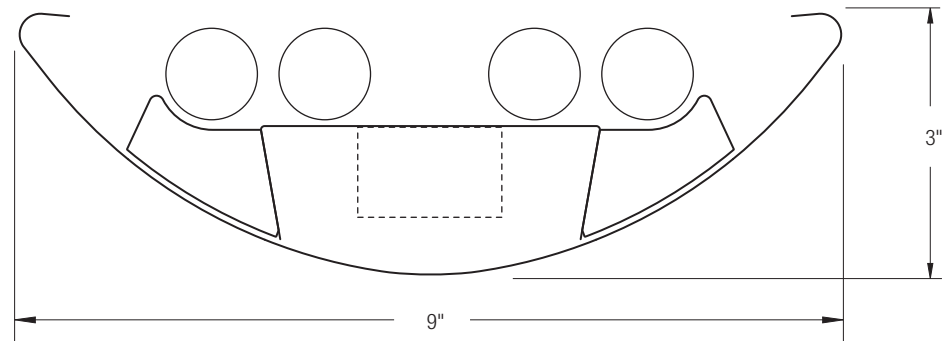
Some combinations of product options may not be available. Consult factory for assistance with your specification.

9507	T04	<input type="text"/>	<input type="text"/>	-	<input type="text"/>	-	<input type="text"/>	-	<input type="text"/>	-	<input type="text"/>
Product Series & Type Centris Direct/Indirect (High Performance)	Lamping 4 T8	Lower Optics C Solid Baffle R Round Perf Baffle	Upper Optics N None D Down Kit Y Lamp Separator	Run Length <i>Enter the total run length in feet (4ft increments)</i>	Wiring 1 1 cct 2 2 cct 3 1 cct w/ Emergency cct 4 2 cct w/ Emergency cct 5 1 cct w/ Battery Pack 6 2 cct w/ Battery Pack 7 1 cct Dimming	Voltage 1 120V 2 277V 3 347V	Ballast E Standard Ballast Consult website for ballast manufacturer information	Color & Finish W Standard White C Factory Color X Custom Color Consult website for color and finish options	Mounting Hardware <input type="text"/> <input type="text"/> Mount Type <input type="text"/> Suspension Length <input type="text"/> Consult separate mounting spec sheet for mount type options <i>Enter distance from ceiling to top of fixture in inches</i>		
		See details on reverse	See details on reverse	See details on reverse	Consult website for complete list of standard wiring options						

Upgrades & Accessories

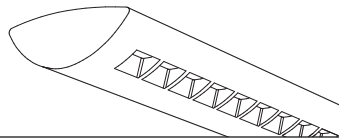
Please indicate with check mark.

<input type="checkbox"/> Lamps Included	<input type="checkbox"/> Lamps Included and Installed
<input type="checkbox"/> Sculptured Endcap See details on reverse	<input type="checkbox"/> Dust Cover 
<input type="checkbox"/> Response Daylight (Integrated Controls) For details visit www.ledalite.com/response	



Centris®

Suspended
Direct/Indirect (High Performance)
4 T8 - Solid Housing



Photometry Optics RY Round Perf Baffle w/ Lamp Separator

Report Summary

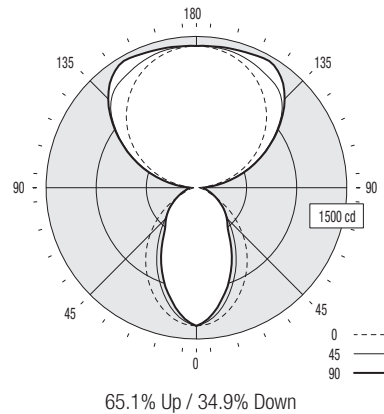
Report # 9900058
Filename 9507T04CY-RY.ies
Efficiency 62%

Peak Candela Value* 1451 @ 150°
Peak to Zenith Ratio* 1 : 1

* Between 90-180° vertical angle

Candela Distribution

Vertical Angle	Horizontal Angle					Zonal Lumens
	0	22.5	45	67.5	90	
0	1370	1370	1370	1370	1370	
5	1358	1346	1329	1311	1308	126
15	1256	1214	1154	1106	1087	325
25	1089	1011	919	855	832	428
35	883	779	668	591	565	433
45	654	553	445	427	427	380
55	413	344	314	313	310	298
65	187	201	199	201	202	199
75	83	97	117	122	122	118
85	27	51	72	80	82	72
90	6	37	60	70	73	
95	73	119	137	146	148	148
105	324	392	405	418	415	418
115	570	675	697	706	705	671
125	794	901	974	990	989	840
135	990	1061	1206	1247	1244	890
145	1149	1191	1303	1400	1415	810
155	1274	1300	1356	1417	1442	627
165	1357	1371	1395	1416	1422	394
175	1400	1405	1409	1410	1409	137
180	1406	1406	1406	1406	1406	



Coefficients of Utilization (%)

Ceiling: Walk:	80				70				50				0				
	70	50	30	10	70	50	30	10	50	30	10	0	70	50	30	10	0
0 RCR	63	63	63	63	57	57	57	45	45	45	20						
1	58	55	53	51	52	50	48	40	38	37	17						
2	53	48	45	42	47	44	41	35	33	31	14						
3	48	43	38	35	43	39	35	31	28	26	12						
4	44	38	33	30	40	34	30	28	25	23	11						
5	41	34	29	26	36	31	27	25	22	19	9						
6	37	30	26	22	34	28	23	22	19	17	8						
7	35	27	23	19	31	25	21	20	17	15	8						
8	32	25	20	17	29	23	19	18	15	13	7						
9	30	23	18	15	27	21	17	17	14	12	6						
10	28	21	16	14	25	19	15	16	13	11	6						

Based on a floor reflectance of 0.2

Avg. Luminance (cd/m²)

Vertical Angle	Horizontal Angle		
	0	45	90
55	2935	1632	1450
65	1803	1237	1095
75	1307	940	815
85	1263	855	744

IES files for this and other photometric options can be downloaded online at www.ledalite.com

Additional Information

Modules

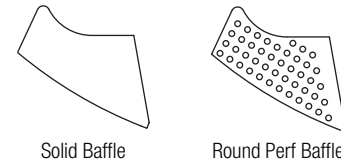
Module length excludes endcaps.
Nominal mount spacing for individually mounted modules.

Module	Mount Spacing
4ft	4' 0"
8ft	8' 0"
12ft	12' 0"

Endcap



Lower Optics



Upper Optics



Specifications

Due to continuing product improvements, Ledalite reserves the right to change specifications without notice.

Housing

Die-formed 20 gauge cold-rolled steel.

Weight

3.0 lb/ft.

Optical System

Direct/Indirect: Constructed of 96% reflective white steel to produce a direct/indirect distribution. Baffles are white blades spaced 2-7/16" apart and are 3/4" deep (18 cells per 4ft section). Perforation of baffles and housing is optional. Perforated housing options include acrylic overlay. Optional field-installable Variable Optics kits provide additional downlight as required.

Semi-Indirect: Constructed of 96% reflective white steel with perforated housing and acrylic overlay to produce a semi-indirect distribution. Perforated housing available in round or slot perforation patterns.

Indirect: Constructed of 96% reflective white steel to produce an indirect distribution.

High performance options use additional highly-specular aluminum reflectors.

Endcaps

Die-cast endcap or optional die-cast sculptured endcap.

Joints

Self-aligning joining system with hands-free pre-joining wire access.

Mounting

Aircraft cable gripper is tamper-resistant and provides infinite vertical adjustment capability. Aircraft cable, crimp and cable gripper independently tested to meet stringent safety requirements.

Electrical

Factory pre-wired to section ends with quick-wire connectors.

Ballast

Electronic.

Approvals

Certified to UL and CSA standards.

Finish

High-quality powder coat. Available in Ledalite Standard White (textured matte finish), and a selection of other factory and customer-specified colors. Consult factory for details.