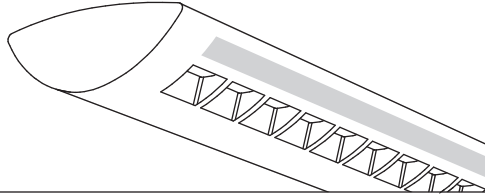


Centris®



Suspended
Direct/Indirect (High Performance)
4 T8 - Perf Housing



Project Name

Spec Type

Notes




Order Guide

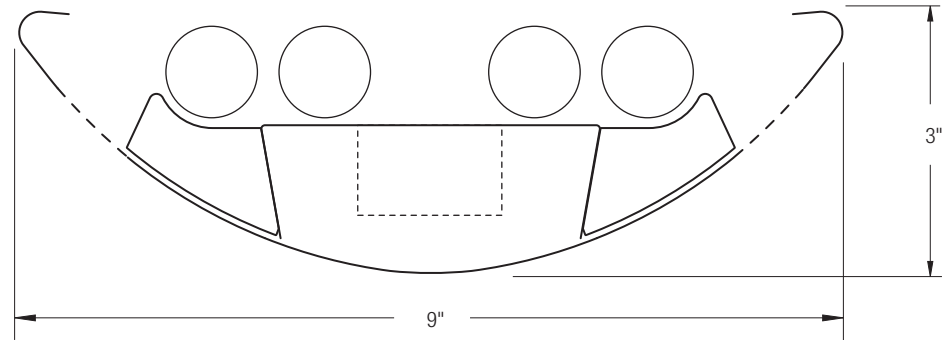
Some combinations of product options may not be available. Consult factory for assistance with your specification.

9507	T04			-		-		-		
Product Series & Type Centris Direct/Indirect (High Performance)	Lamping 4 T8	Lower Optics M Round Perf Housing / Solid Baffle T Round Perf Housing / Round Perf Baffle U Slot Perf Housing / Solid Baffle Z Slot Perf Housing / Round Perf Baffle	Upper Optics N None D Down Kit Y Lamp Separator	Run Length <i>Enter the total run length in feet (4ft increments)</i>	Wiring 1 1 cct 2 2 cct 3 1 cct w/ Emergency cct 4 2 cct w/ Emergency cct 5 1 cct w/ Battery Pack 6 2 cct w/ Battery Pack 7 1 cct Dimming	Voltage 1 120V 2 277V 3 347V	Ballast E Standard Ballast Consult website for ballast manufacturer information	Color & Finish W Standard White C Factory Color X Custom Color Consult website for color and finish options	Mounting Hardware	
		See details on reverse	See details on reverse	See details on reverse	Consult website for complete list of standard wiring options	Consult separate mounting spec sheet for mount type options				
							Mount Type		Suspension Length <i>Enter distance from ceiling to top of fixture in inches</i>	

Upgrades & Accessories

Please indicate with check mark.

<input type="checkbox"/> Lamps Included	<input type="checkbox"/> Lamps Included and Installed
<input type="checkbox"/> Sculptured Endcap See details on reverse	<input type="checkbox"/> Dust Cover 
<input type="checkbox"/> Response Daylight (Integrated Controls) For details visit www.ledalite.com/response	



Centris®

Suspended
Direct/Indirect (High Performance)
4 T8 - Perf Housing



Photometry Optics MN Round Perf Housing / Solid Baffle

Report Summary

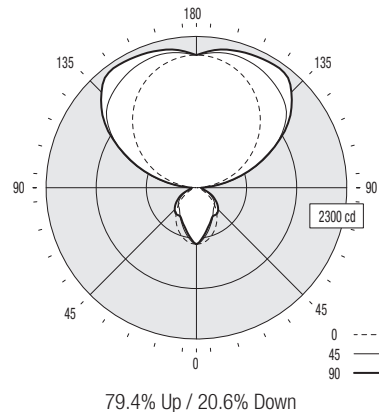
Report # 2101650
Filename 9507T04MN-TN.ies
Efficiency 80.7%

Peak Candela Value* 2217 @ 145°
Peak to Zenith Ratio* 1.1 : 1

* Between 90-180° vertical angle

Candela Distribution

Vertical Angle	Horizontal Angle					Zonal Lumens
	0	22.5	45	67.5	90	
0	858	858	858	858	858	
5	851	836	820	791	797	77
15	788	725	687	647	644	195
25	680	591	556	534	536	263
35	549	460	447	483	505	300
45	404	342	390	442	470	310
55	254	244	319	344	372	272
65	123	162	216	233	253	198
75	59	77	118	113	120	109
85	18	37	66	77	82	66
90	6	37	59	77	73	
95	107	166	237	205	230	227
105	440	626	721	694	707	690
115	784	1057	1237	1208	1215	1110
125	1096	1343	1648	1696	1710	1358
135	1381	1580	1887	2037	2054	1390
145	1622	1788	1998	2160	2217	1231
155	1810	1937	2073	2163	2198	945
165	1939	2014	2100	2143	2162	588
175	2008	2026	2054	2074	2081	200
180	2017	2017	2017	2017	2017	



Coefficients of Utilization (%)

Ceiling:	80				70				50				0
	70	50	30	10	70	50	30	10	50	30	10	0	
0 RCR	80	80	80	80	71	71	71	53	53	53	15		
1	73	69	66	64	64	61	59	46	44	43	12		
2	66	61	56	52	58	54	50	40	38	35	10		
3	60	53	48	43	53	47	42	35	32	30	9		
4	55	47	41	36	48	41	36	31	28	25	7		
5	50	42	35	31	44	37	32	28	24	21	6		
6	46	37	31	26	41	33	28	25	21	18	5		
7	43	33	27	23	37	30	24	22	19	16	5		
8	39	30	24	20	35	27	22	20	17	14	4		
9	37	27	21	18	32	24	19	18	15	12	4		
10	34	25	19	16	30	22	17	17	13	11	3		

Based on a floor reflectance of 0.2

Avg. Luminance (cd/m²)

Vertical Angle	Horizontal Angle		
	0	45	90
55	1805	1658	1740
65	1186	1343	1371
75	929	948	802
85	842	784	744

IES files for this and other photometric options can be downloaded online at www.ledalite.com

Additional Information

Modules

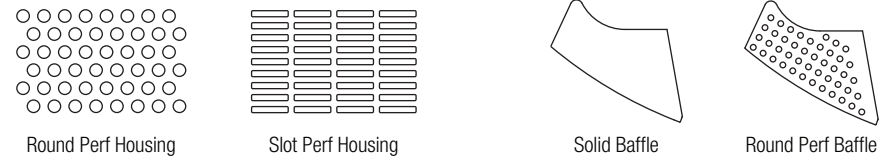
Module length excludes endcaps.
Nominal mount spacing for individually mounted modules.

Module	Mount Spacing
4ft	4' 0"
8ft	8' 0"
12ft	12' 0"

Endcap



Lower Optics



Upper Optics



Specifications

Due to continuing product improvements, Ledalite reserves the right to change specifications without notice.

Housing

Die-formed 20 gauge cold-rolled steel.

Weight

3.0 lb/ft.

Optical System

Direct/Indirect: Constructed of 96% reflective white steel to produce a direct/indirect distribution. Baffles are white blades spaced 2-7/16" apart and are 3/4" deep (18 cells per 4ft section). Perforation of baffles and housing is optional. Perforated housing options include acrylic overlay. Optional field-installable Variable Optics kits provide additional downlight as required.

Semi-Indirect: Constructed of 96% reflective white steel with perforated housing and acrylic overlay to produce a semi-indirect distribution. Perforated housing available in round or slot perforation patterns.

Indirect: Constructed of 96% reflective white steel to produce an indirect distribution.

High performance options use additional highly-specular aluminum reflectors.

Endcaps

Die-cast endcap or optional die-cast sculptured endcap.

Joints

Self-aligning joining system with hands-free pre-joining wire access.

Mounting

Aircraft cable gripper is tamper-resistant and provides infinite vertical adjustment capability. Aircraft cable, crimp and cable gripper independently tested to meet stringent safety requirements.

Electrical

Factory pre-wired to section ends with quick-wire connectors.

Ballast

Electronic.

Approvals

Certified to UL and CSA standards.

Finish

High-quality powder coat. Available in Ledalite Standard White (textured matte finish), and a selection of other factory and customer-specified colors. Consult factory for details.