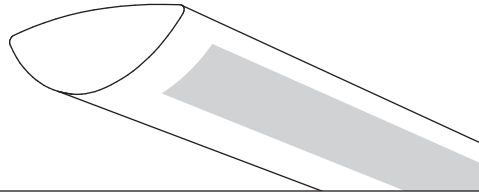


Centris®



Suspended
Semi-Indirect (High Performance)
4 T8



Project Name

Spec Type

Notes




Order Guide

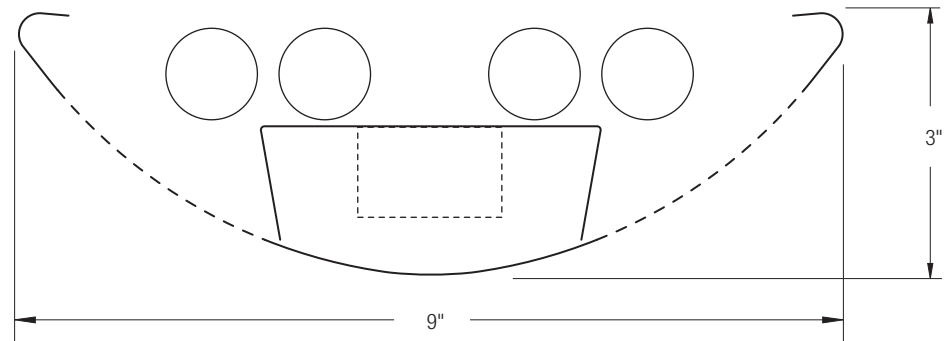
Some combinations of product options may not be available. Consult factory for assistance with your specification.

9504	T04			-		-		-				
Product Series & Type Centris Semi-Indirect (High Performance)	Lamping 4 T8	Lower Optics L Round Perf Housing I Slot Perf Housing	Upper Optics N None	Run Length <i>Enter the total run length in feet (4ft increments)</i>	Wiring 1 1 cct 2 2 cct 3 1 cct w/ Emergency cct 4 2 cct w/ Emergency cct 5 1 cct w/ Battery Pack 6 2 cct w/ Battery Pack 7 1 cct Dimming	Voltage 1 120V 2 277V 3 347V	Ballast E Standard Ballast Consult website for ballast manufacturer information	Color & Finish W Standard White C Factory Color X Custom Color Consult website for color and finish options				
		See details on reverse	See details on reverse	See details on reverse	Consult website for complete list of standard wiring options							
Mounting Hardware												
<table border="1"> <tr> <td><input type="text"/></td> <td><input type="text"/></td> </tr> <tr> <td>Mount Type Consult separate mounting spec sheet for mount type options</td> <td>Suspension Length <i>Enter distance from ceiling to top of fixture in inches</i></td> </tr> </table>									<input type="text"/>	<input type="text"/>	Mount Type Consult separate mounting spec sheet for mount type options	Suspension Length <i>Enter distance from ceiling to top of fixture in inches</i>
<input type="text"/>	<input type="text"/>											
Mount Type Consult separate mounting spec sheet for mount type options	Suspension Length <i>Enter distance from ceiling to top of fixture in inches</i>											

Upgrades & Accessories

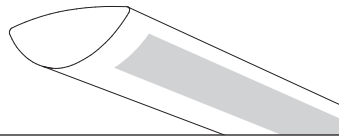
Please indicate with check mark.

<input type="checkbox"/> Lamps Included	<input type="checkbox"/> Lamps Included and Installed
<input type="checkbox"/> Sculptured Endcap See details on reverse	<input type="checkbox"/> Dust Cover 
<input type="checkbox"/> Response Daylight (Integrated Controls) For details visit www.ledalite.com/response	



Centris®

Suspended
Semi-Indirect (High Performance)
4 TB



Photometry Optics IN Slot Perf Housing

Report Summary

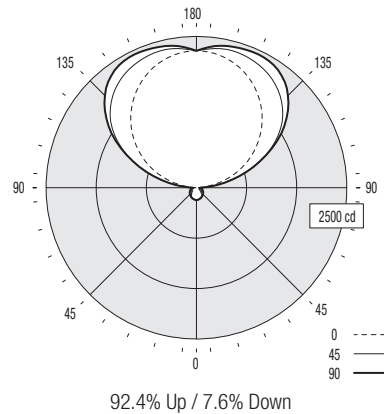
Report # 2101648
Filename 9504T04IN.ies
Efficiency 75.6%

Peak Candela Value* 2433 @ 155°
Peak to Zenith Ratio* 1.1 : 1

* Between 90-180° vertical angle

Candela Distribution

Vertical Angle	Horizontal Angle					Zonal Lumens
	0	22.5	45	67.5	90	
0	203	203	203	203	203	
5	201	200	201	201	201	19
15	189	189	192	193	195	54
25	169	167	174	178	183	80
35	140	139	151	160	169	94
45	104	107	127	142	153	97
55	65	76	104	125	137	91
65	34	48	83	106	117	76
75	16	27	62	82	95	60
85	5	16	39	58	68	41
90	5	20	38	60	61	
95	105	157	223	213	237	221
105	485	651	738	721	738	718
115	874	1110	1274	1264	1282	1169
125	1226	1468	1709	1755	1786	1437
135	1544	1753	2004	2122	2151	1489
145	1812	1993	2192	2328	2371	1346
155	2025	2167	2296	2395	2433	1049
165	2174	2257	2342	2389	2409	657
175	2253	2273	2302	2324	2332	223
180	2264	2264	2264	2264	2264	



Coefficients of Utilization (%)

Ceiling: Wall:	80				70				50				0
	70	50	30	10	70	50	30	10	50	30	10	0	
0 RCR	73	73	73	73	63	63	63	44	44	44	5		
1	66	63	60	58	57	54	52	38	37	36	4		
2	60	55	50	47	52	47	44	34	31	29	3		
3	55	48	43	39	47	42	37	29	27	24	2		
4	50	42	37	32	43	37	32	26	23	21	2		
5	45	37	32	27	39	32	28	23	20	17	2		
6	42	33	27	23	36	29	24	20	17	15	1		
7	38	30	24	20	33	26	21	18	15	13	1		
8	35	27	21	18	30	23	19	17	13	11	1		
9	33	24	19	15	28	21	17	15	12	10	1		
10	30	22	17	13	26	19	15	14	11	9	1		

Based on a floor reflectance of 0.2

Avg. Luminance (cd/m²)

Vertical Angle	Horizontal Angle		
	0	45	90
55	462	541	641
65	328	516	634
75	252	498	635
85	234	463	617

IES files for this and other photometric options can be downloaded online at www.ledalite.com

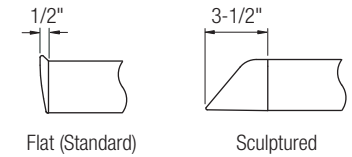
Additional Information

Modules

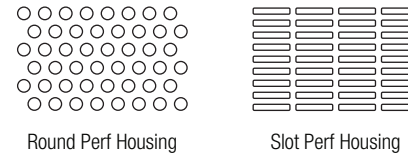
Module length excludes endcaps.
Nominal mount spacing for individually mounted modules.

Module	Mount Spacing
4ft	4' 0"
8ft	8' 0"
12ft	12' 0"

Endcap



Lower Optics



Specifications

Due to continuing product improvements, Ledalite reserves the right to change specifications without notice.

Housing

Die-formed 20 gauge cold-rolled steel.

Weight

3.0 lb/ft.

Optical System

Direct/Indirect: Constructed of 96% reflective white steel to produce a direct/indirect distribution. Baffles are white blades spaced 2-7/16" apart and are 3/4" deep (18 cells per 4ft section). Perforation of baffles and housing is optional. Perforated housing options include acrylic overlay. Optional field-installable Variable Optics kits provide additional downlight as required.

Semi-Indirect: Constructed of 96% reflective white steel with perforated housing and acrylic overlay to produce a semi-indirect distribution. Perforated housing available in round or slot perforation patterns.

Indirect: Constructed of 96% reflective white steel to produce an indirect distribution.

High performance options use additional highly-specular aluminum reflectors.

Endcaps

Die-cast endcap or optional die-cast sculptured endcap.

Joints

Self-aligning joining system with hands-free pre-joining wire access.

Mounting

Aircraft cable gripper is tamper-resistant and provides infinite vertical adjustment capability. Aircraft cable, crimp and cable gripper independently tested to meet stringent safety requirements.

Electrical

Factory pre-wired to section ends with quick-wire connectors.

Ballast

Electronic.

Approvals

Certified to UL and CSA standards.

Finish

High-quality powder coat. Available in Ledalite Standard White (textured matte finish), and a selection of other factory and customer-specified colors. Consult factory for details.