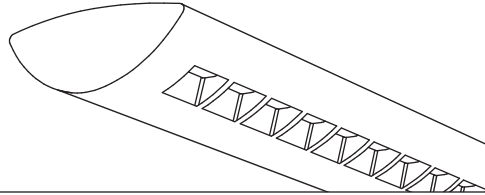


Centris®



Suspended
 Direct/Indirect (High Performance)
 4 T8 - Solid Housing



Project Name

Spec Type

Notes




Order Guide

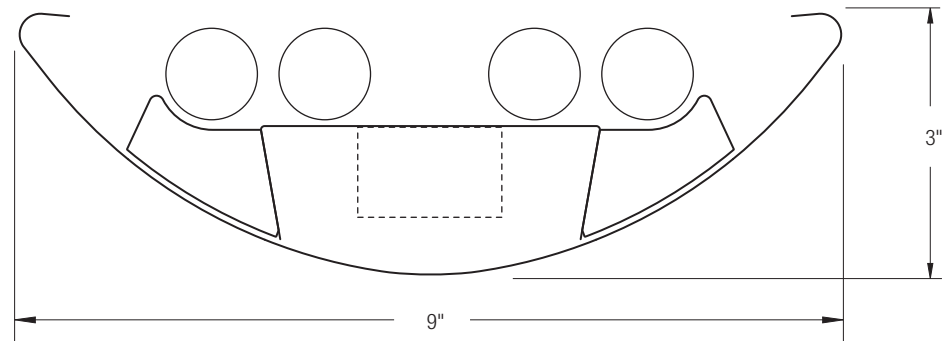
Some combinations of product options may not be available. Consult factory for assistance with your specification.

9507	T04			-		-		-	
Product Series & Type Centris Direct/Indirect (High Performance)	Lamping 4 T8	Lower Optics C Solid Baffle R Round Perf Baffle	Upper Optics N None D Down Kit Y Lamp Separator	Run Length <i>Enter the total run length in feet (4ft increments)</i>	Wiring 1 1 cct 2 2 cct 3 1 cct w/ Emergency cct 4 2 cct w/ Emergency cct 5 1 cct w/ Battery Pack 6 2 cct w/ Battery Pack 7 1 cct Dimming	Voltage 1 120V 2 277V 3 347V	Ballast E Standard Ballast Consult website for ballast manufacturer information	Color & Finish W Standard White C Factory Color X Custom Color Consult website for color and finish options	
		See details on reverse	See details on reverse	See details on reverse	Consult website for complete list of standard wiring options				
Mounting Hardware									
Mount Type					Suspension Length <i>Enter distance from ceiling to top of fixture in inches</i>				
Consult separate mounting spec sheet for mount type options									

Upgrades & Accessories

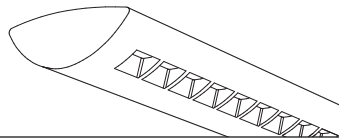
Please indicate with check mark.

<input type="checkbox"/> Lamps Included	<input type="checkbox"/> Lamps Included and Installed
<input type="checkbox"/> Sculptured Endcap See details on reverse	<input type="checkbox"/> Dust Cover 
<input type="checkbox"/> Response Daylight (Integrated Controls) For details visit www.ledalite.com/response	



Centris®

Suspended
Direct/Indirect (High Performance)
4 T8 - Solid Housing



Photometry Optics CN Solid Baffle

Report Summary

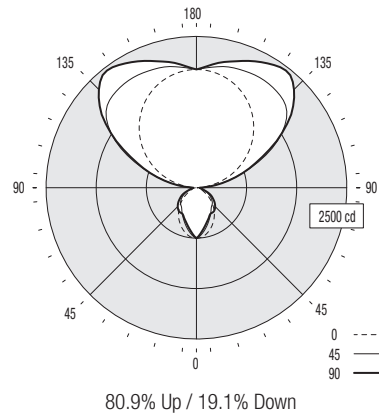
Report # 2101630
Filename 9507T04CN-RN.ies
Efficiency 81.8%

Peak Candela Value* 2442 @ 143°
Peak to Zenith Ratio* 1.2 : 1

* Between 90-180° vertical angle

Candela Distribution

Vertical Angle	Horizontal Angle					Zonal Lumens
	0	22.5	45	67.5	90	
0	836	836	836	836	836	
5	827	810	792	765	763	75
15	757	699	659	625	617	186
25	648	566	532	515	512	253
35	520	436	426	468	489	286
45	374	326	373	420	440	294
55	229	237	299	328	348	258
65	114	155	203	225	242	186
75	62	75	110	96	99	100
85	22	38	55	58	62	54
90	8	34	45	54	53	
95	111	146	198	190	207	204
105	431	642	672	653	677	666
115	762	1127	1272	1195	1210	1133
125	1070	1424	1794	1824	1841	1447
135	1346	1628	2044	2256	2294	1490
145	1579	1788	2097	2346	2431	1289
155	1760	1907	2096	2251	2305	958
165	1882	1958	2066	2134	2159	580
175	1946	1964	1990	2010	2015	194
180	1955	1955	1955	1955	1955	



Coefficients of Utilization (%)

Ceiling:	80					70					50					0				
	70	50	30	10		70	50	30	10	0	70	50	30	10	0	70	50	30	10	0
0 RCR	81	81	81	81	81	71	71	71	53	53	53	53	14							
1	74	70	67	64	65	62	59	46	45	43	12									
2	67	61	57	53	59	54	50	40	38	36	10									
3	61	54	48	44	53	47	43	36	32	30	8									
4	56	47	41	37	49	42	37	31	28	25	7									
5	51	42	36	31	45	37	32	28	24	22	6									
6	47	37	31	27	41	33	28	25	21	19	5									
7	43	34	27	23	38	30	25	23	19	16	5									
8	40	30	24	20	35	27	22	20	17	14	4									
9	37	27	22	18	32	24	19	19	15	13	4									
10	34	25	19	16	30	22	17	17	13	11	3									

Based on a floor reflectance of 0.2

Avg. Luminance (cd/m²)

Vertical Angle	Horizontal Angle		
	0	45	90
55	1627	1554	1628
65	1099	1262	1311
75	976	884	661
85	1029	653	562

IES files for this and other photometric options can be downloaded online at www.ledalite.com

Additional Information

Modules

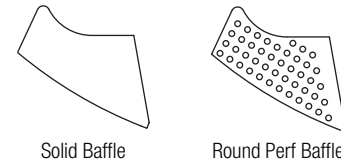
Module length excludes endcaps.
Nominal mount spacing for individually mounted modules.

Module	Mount Spacing
4ft	4' 0"
8ft	8' 0"
12ft	12' 0"

Endcap



Lower Optics



Upper Optics



Specifications

Due to continuing product improvements, Ledalite reserves the right to change specifications without notice.

Housing

Die-formed 20 gauge cold-rolled steel.

Weight

3.0 lb/ft.

Optical System

Direct/Indirect: Constructed of 96% reflective white steel to produce a direct/indirect distribution. Baffles are white blades spaced 2-7/16" apart and are 3/4" deep (18 cells per 4ft section). Perforation of baffles and housing is optional. Perforated housing options include acrylic overlay. Optional field-installable Variable Optics kits provide additional downlight as required.

Semi-Indirect: Constructed of 96% reflective white steel with perforated housing and acrylic overlay to produce a semi-indirect distribution. Perforated housing available in round or slot perforation patterns.

Indirect: Constructed of 96% reflective white steel to produce an indirect distribution.

High performance options use additional highly-specular aluminum reflectors.

Endcaps

Die-cast endcap or optional die-cast sculptured endcap.

Joints

Self-aligning joining system with hands-free pre-joining wire access.

Mounting

Aircraft cable gripper is tamper-resistant and provides infinite vertical adjustment capability. Aircraft cable, crimp and cable gripper independently tested to meet stringent safety requirements.

Electrical

Factory pre-wired to section ends with quick-wire connectors.

Ballast

Electronic.

Approvals

Certified to UL and CSA standards.

Finish

High-quality powder coat. Available in Ledalite Standard White (textured matte finish), and a selection of other factory and customer-specified colors. Consult factory for details.