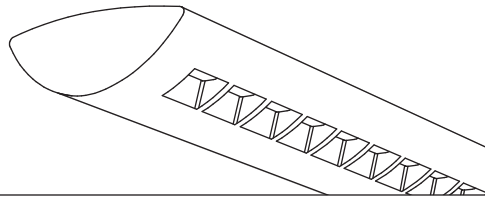


Centris®



Suspended
 Direct/Indirect (High Performance)
 4 T8 - Solid Housing



Project Name

Spec Type

Notes




Order Guide

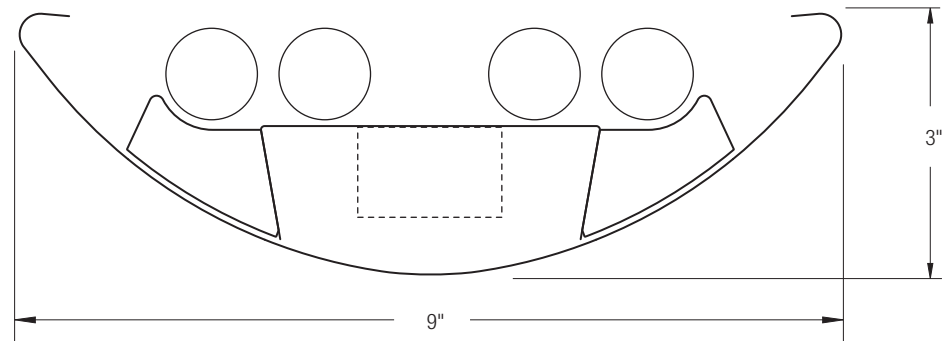
Some combinations of product options may not be available. Consult factory for assistance with your specification.

9507	T04			-		-		-	
Product Series & Type Centris Direct/Indirect (High Performance)	Lamping 4 T8	Lower Optics C Solid Baffle R Round Perf Baffle	Upper Optics N None D Down Kit Y Lamp Separator	Run Length <i>Enter the total run length in feet (4ft increments)</i>	Wiring 1 1 cct 2 2 cct 3 1 cct w/ Emergency cct 4 2 cct w/ Emergency cct 5 1 cct w/ Battery Pack 6 2 cct w/ Battery Pack 7 1 cct Dimming	Voltage 1 120V 2 277V 3 347V	Ballast E Standard Ballast Consult website for ballast manufacturer information	Color & Finish W Standard White C Factory Color X Custom Color Consult website for color and finish options	
		See details on reverse	See details on reverse	See details on reverse	Consult website for complete list of standard wiring options				
Mounting Hardware									
Mount Type					Suspension Length				
Consult separate mounting spec sheet for mount type options					<i>Enter distance from ceiling to top of fixture in inches</i>				

Upgrades & Accessories

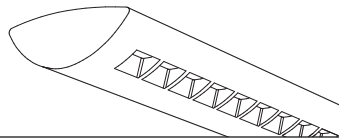
Please indicate with check mark.

<input type="checkbox"/> Lamps Included	<input type="checkbox"/> Lamps Included and Installed
<input type="checkbox"/> Sculptured Endcap See details on reverse	<input type="checkbox"/> Dust Cover
	
<input type="checkbox"/> Response Daylight (Integrated Controls) For details visit www.ledalite.com/response	



Centris®

Suspended
Direct/Indirect (High Performance)
4 T8 - Solid Housing



Photometry Optics CD Solid Baffle w/ Down Kit

Report Summary

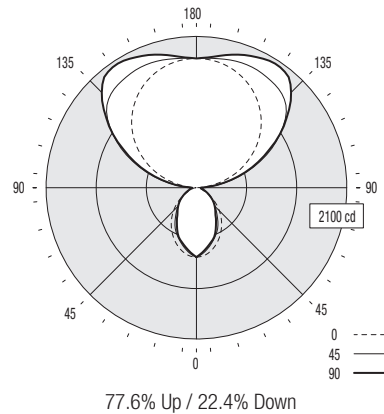
Report # 9900057
Filename 9507T04CD-RD.ies
Efficiency 74.6%

Peak Candela Value* 2044 @ 148°
Peak to Zenith Ratio* 1.1 : 1

* Between 90-180° vertical angle

Candela Distribution

Vertical Angle	Horizontal Angle					Zonal Lumens
	0	22.5	45	67.5	90	
0	964	964	964	964	964	
5	955	942	924	909	906	87
15	881	835	804	789	783	230
25	760	696	676	651	637	312
35	614	552	513	477	463	327
45	452	412	364	359	360	298
55	286	269	261	260	259	238
65	132	163	164	164	165	161
75	63	77	92	95	96	94
85	22	39	56	62	64	56
90	5	33	52	65	62	
95	101	170	201	215	190	211
105	414	594	631	629	603	623
115	736	996	1082	1068	1042	996
125	1029	1264	1476	1507	1490	1228
135	1281	1456	1737	1869	1869	1277
145	1482	1599	1813	1992	2041	1123
155	1635	1705	1846	1958	1999	847
165	1739	1769	1835	1891	1912	518
175	1788	1796	1806	1813	1815	176
180	1794	1794	1794	1794	1794	



Coefficients of Utilization (%)

Ceiling:	Horizontal Angle										
	70			80			10			0	
Walk:	70	50	30	10	70	50	30	50	30	10	0
0 RCR	74	74	74	74	66	66	66	49	49	49	15
1	68	65	62	59	60	57	55	43	42	40	12
2	62	56	52	49	54	50	46	38	36	34	11
3	56	50	44	40	49	44	40	33	31	28	9
4	51	44	38	34	45	39	34	30	27	24	8
5	47	39	33	29	41	35	30	27	23	21	7
6	43	35	29	25	38	31	26	24	20	18	6
7	40	31	26	22	35	28	23	21	18	16	5
8	37	28	23	19	33	25	21	19	16	14	5
9	34	26	20	17	30	23	18	18	14	12	4
10	32	23	18	15	28	21	17	16	13	11	4

Based on a floor reflectance of 0.2

Avg. Luminance (cd/m²)

Vertical Angle	Horizontal Angle		
	0	45	90
55	2032	1356	1211
65	1273	1019	894
75	992	739	641
85	1029	665	580

IES files for this and other photometric options can be downloaded online at www.ledalite.com

Additional Information

Modules

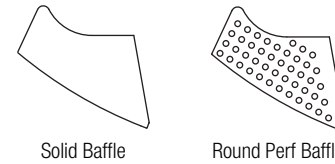
Module length excludes endcaps.
Nominal mount spacing for individually mounted modules.

Module	Mount Spacing
4ft	4' 0"
8ft	8' 0"
12ft	12' 0"

Endcap



Lower Optics



Upper Optics



Specifications

Due to continuing product improvements, Ledalite reserves the right to change specifications without notice.

Housing

Die-formed 20 gauge cold-rolled steel.

Weight

3.0 lb/ft.

Optical System

Direct/Indirect: Constructed of 96% reflective white steel to produce a direct/indirect distribution. Baffles are white blades spaced 2-7/16" apart and are 3/4" deep (18 cells per 4ft section). Perforation of baffles and housing is optional. Perforated housing options include acrylic overlay. Optional field-installable Variable Optics kits provide additional downlight as required.

Semi-Indirect: Constructed of 96% reflective white steel with perforated housing and acrylic overlay to produce a semi-indirect distribution. Perforated housing available in round or slot perforation patterns.

Indirect: Constructed of 96% reflective white steel to produce an indirect distribution.

High performance options use additional highly-specular aluminum reflectors.

Endcaps

Die-cast endcap or optional die-cast sculptured endcap.

Joints

Self-aligning joining system with hands-free pre-joining wire access.

Mounting

Aircraft cable gripper is tamper-resistant and provides infinite vertical adjustment capability. Aircraft cable, crimp and cable gripper independently tested to meet stringent safety requirements.

Electrical

Factory pre-wired to section ends with quick-wire connectors.

Ballast

Electronic.

Approvals

Certified to UL and CSA standards.

Finish

High-quality powder coat. Available in Ledalite Standard White (textured matte finish), and a selection of other factory and customer-specified colors. Consult factory for details.