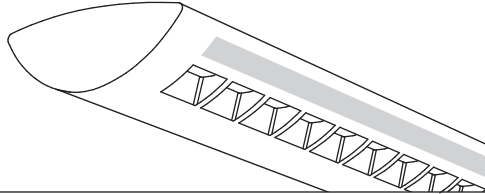


# Centris®



Suspended  
 Direct/Indirect (High Performance)  
 3 T8 - Perf Housing



Project Name

Spec Type

Notes




## Order Guide

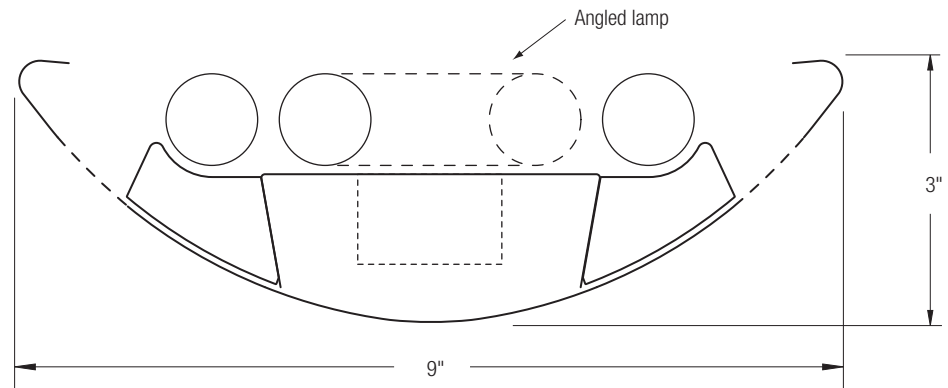
Some combinations of product options may not be available. Consult factory for assistance with your specification.

<b>9507</b>	<b>T03</b>			-		-		-		
<b>Product Series &amp; Type</b> Centris Direct/Indirect (High Performance)	<b>Lamping</b> 3 T8	<b>Lower Optics</b> <b>M</b> Round Perf Housing / Solid Baffle <b>T</b> Round Perf Housing / Round Perf Baffle <b>U</b> Slot Perf Housing / Solid Baffle <b>Z</b> Slot Perf Housing / Round Perf Baffle <small>See details on reverse</small>	<b>Upper Optics</b> <b>N</b> None <b>D</b> Down Kit <b>Y</b> Lamp Separator <small>See details on reverse</small>	<b>Run Length</b> <i>Enter the total run length in feet (4ft increments)</i> <small>See details on reverse</small>	<b>Wiring</b> <b>1</b> 1 cct <b>2</b> 2 cct <b>3</b> 1 cct w/ Emergency cct <b>4</b> 2 cct w/ Emergency cct <b>5</b> 1 cct w/ Battery Pack <b>6</b> 2 cct w/ Battery Pack <b>7</b> 1 cct Dimming <small>Consult website for complete list of standard wiring options</small>	<b>Voltage</b> <b>1</b> 120V <b>2</b> 277V <b>3</b> 347V	<b>Ballast</b> <b>E</b> Standard Ballast <small>Consult website for ballast manufacturer information</small>	<b>Color &amp; Finish</b> <b>W</b> Standard White <b>C</b> Factory Color <b>X</b> Custom Color <small>Consult website for color and finish options</small>	<b>Mounting Hardware</b> <input type="text"/> <input type="text"/> <b>Mount Type</b> <input type="text"/> <b>Suspension Length</b> <input type="text"/> <small>Consult separate mounting spec sheet for mount type options</small> <small>Enter distance from ceiling to top of fixture in inches</small>	

## Upgrades & Accessories

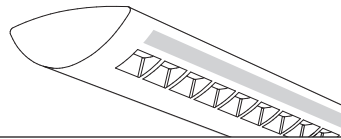
Please indicate with check mark.

<input type="checkbox"/> Lamps Included	<input type="checkbox"/> Lamps Included and Installed
<input type="checkbox"/> Sculptured Endcap <small>See details on reverse</small>	<input type="checkbox"/> Dust Cover 
<input type="checkbox"/> Response Daylight (Integrated Controls) <small>For details visit <a href="http://www.ledalite.com/response">www.ledalite.com/response</a></small>	



# Centris®

Suspended  
Direct/Indirect (High Performance)  
3 T8 - Perf Housing



## Photometry Optics UY Slot Perf Housing / Solid Baffle w/ Lamp Separator

### Report Summary

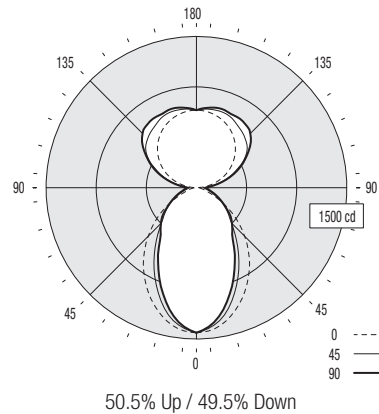
Report # 2101725  
Filename 9507T03UY-ZY.ies  
Efficiency 62.5%

Peak Candela Value\* 821 @ 163°  
Peak to Zenith Ratio\* 1.1 : 1

\* Between 90-180° vertical angle

### Candela Distribution

Vertical Angle	Horizontal Angle					Zonal Lumens
	0	22.5	45	67.5	90	
0	1438	1438	1438	1438	1438	133
5	1425	1408	1400	1385	1385	344
15	1319	1272	1237	1174	1172	455
25	1140	1059	981	902	897	459
35	925	806	718	630	633	411
45	680	561	492	480	502	328
55	432	350	359	353	370	222
65	198	206	229	233	250	135
75	84	96	139	148	160	83
85	24	48	84	100	109	123
90	3	38	69	87	94	283
95	57	82	122	125	139	425
105	195	241	292	286	306	507
115	329	398	458	458	481	517
125	447	503	613	617	636	458
135	550	594	688	741	760	354
145	635	680	735	785	805	223
155	700	734	782	796	808	76
165	743	766	794	811	819	
175	766	773	783	787	791	
180	769	769	769	769	769	



### Coefficients of Utilization (%)

Ceiling: Wall:	80				70				50				0				
	70	50	30	10	70	50	30	10	50	30	10	0	70	50	30	10	0
0 RCR	66	66	66	66	61	61	61	50	50	50	29						
1	60	58	55	53	55	53	51	44	43	42	24						
2	55	51	47	44	50	47	43	39	37	35	21						
3	50	45	40	37	46	41	37	35	32	30	18						
4	46	40	35	31	42	37	33	31	28	25	16						
5	43	36	31	27	39	33	29	28	25	22	14						
6	39	32	27	24	36	30	25	25	22	19	12						
7	36	29	24	21	33	27	23	23	20	17	11						
8	34	26	22	18	31	25	20	21	18	15	10						
9	32	24	20	17	29	22	18	19	16	14	9						
10	30	22	18	15	27	21	17	18	15	13	8						

Based on a floor reflectance of 0.2

### Avg. Luminance (cd/m<sup>2</sup>)

Vertical Angle	Horizontal Angle		
	0	45	90
55	3070	1866	1730
65	1910	1424	1355
75	1323	1117	1069
85	1122	997	989

IES files for this and other photometric options can be downloaded online at [www.ledalite.com](http://www.ledalite.com)

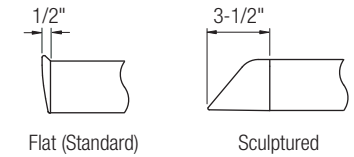
## Additional Information

### Modules

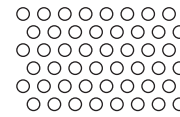
Module length excludes endcaps.  
Nominal mount spacing for individually mounted modules.

Module	Mount Spacing
4ft	4' 0"
8ft	8' 0"
12ft	12' 0"

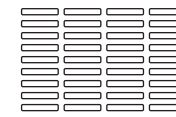
### Endcap



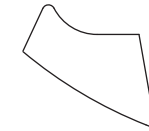
### Lower Optics



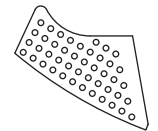
Round Perf Housing



Slot Perf Housing

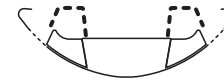


Solid Baffle



Round Perf Baffle

### Upper Optics



D Down Kit



Y Lamp Separator

## Specifications

Due to continuing product improvements, Ledalite reserves the right to change specifications without notice.

### Housing

Die-formed 20 gauge cold-rolled steel.

### Weight

3.0 lb/ft.

### Optical System

Direct/Indirect: Constructed of 96% reflective white steel to produce a direct/indirect distribution. Baffles are white blades spaced 2-7/16" apart and are 3/4" deep (18 cells per 4ft section). Perforation of baffles and housing is optional. Perforated housing options include acrylic overlay. Optional field-installable Variable Optics kits provide additional downlight as required.

Semi-Indirect: Constructed of 96% reflective white steel with perforated housing and acrylic overlay to produce a semi-indirect distribution. Perforated housing available in round or slot perforation patterns.

Indirect: Constructed of 96% reflective white steel to produce an indirect distribution.

High performance options use additional highly-specular aluminum reflectors.

### Endcaps

Die-cast endcap or optional die-cast sculptured endcap.

### Joints

Self-aligning joining system with hands-free pre-joining wire access.

### Mounting

Aircraft cable gripper is tamper-resistant and provides infinite vertical adjustment capability. Aircraft cable, crimp and cable gripper independently tested to meet stringent safety requirements.

### Electrical

Factory pre-wired to section ends with quick-wire connectors.

### Ballast

Electronic.

### Approvals

Certified to UL and CSA standards.

### Finish

High-quality powder coat. Available in Ledalite Standard White (textured matte finish), and a selection of other factory and customer-specified colors. Consult factory for details.