

# Centris®



Suspended  
 Direct/Indirect (High Performance)  
 3 T8 - Perf Housing



Project Name

Spec Type

Notes




## Order Guide

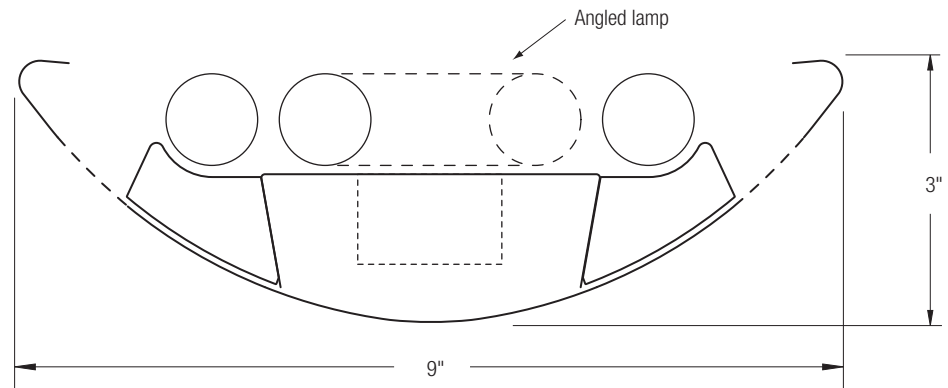
Some combinations of product options may not be available. Consult factory for assistance with your specification.

<b>9507</b>	<b>T03</b>	<input type="text"/>	<input type="text"/>	-	<input type="text"/>	-	<input type="text"/>	-	<input type="text"/>	-	<input type="text"/>
<b>Product Series &amp; Type</b> Centris Direct/Indirect (High Performance)	<b>Lamping</b> 3 T8	<b>Lower Optics</b> <b>M</b> Round Perf Housing / Solid Baffle <b>T</b> Round Perf Housing / Round Perf Baffle <b>U</b> Slot Perf Housing / Solid Baffle <b>Z</b> Slot Perf Housing / Round Perf Baffle <small>See details on reverse</small>	<b>Upper Optics</b> <b>N</b> None <b>D</b> Down Kit <b>Y</b> Lamp Separator <small>See details on reverse</small>	<b>Run Length</b> <i>Enter the total run length in feet (4ft increments)</i> <small>See details on reverse</small>	<b>Wiring</b> <b>1</b> 1 cct <b>2</b> 2 cct <b>3</b> 1 cct w/ Emergency cct <b>4</b> 2 cct w/ Emergency cct <b>5</b> 1 cct w/ Battery Pack <b>6</b> 2 cct w/ Battery Pack <b>7</b> 1 cct Dimming <small>Consult website for complete list of standard wiring options</small>	<b>Voltage</b> <b>1</b> 120V <b>2</b> 277V <b>3</b> 347V	<b>Ballast</b> <b>E</b> Standard Ballast <small>Consult website for ballast manufacturer information</small>	<b>Color &amp; Finish</b> <b>W</b> Standard White <b>C</b> Factory Color <b>X</b> Custom Color <small>Consult website for color and finish options</small>	<b>Mounting Hardware</b>		
										<input type="text"/> <input type="text"/>	
						<b>Mount Type</b> <small>Consult separate mounting spec sheet for mount type options</small>	<b>Suspension Length</b> <i>Enter distance from ceiling to top of fixture in inches</i>				

## Upgrades & Accessories

Please indicate with check mark.

<input type="checkbox"/> Lamps Included	<input type="checkbox"/> Lamps Included and Installed
<input type="checkbox"/> Sculptured Endcap <small>See details on reverse</small>	<input type="checkbox"/> Dust Cover 
<input type="checkbox"/> Response Daylight (Integrated Controls) <small>For details visit <a href="http://www.ledalite.com/response">www.ledalite.com/response</a></small>	



# Centris®

Suspended  
Direct/Indirect (High Performance)  
3 T8 - Perf Housing



## Photometry Optics UN Slot Perf Housing / Solid Baffle

### Report Summary

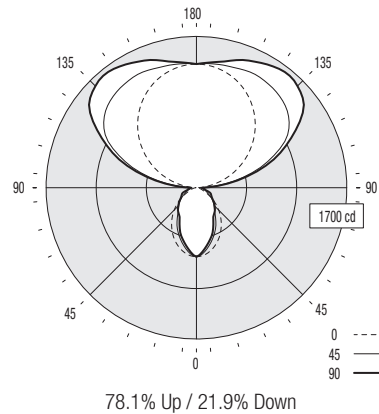
**Report #** 2101646  
**Filename** 9507T03UN-ZN.ies  
**Efficiency** 82.6%

**Peak Candela Value\*** 1642 @ 140°  
**Peak to Zenith Ratio\*** 1.2 : 1

\* Between 90-180° vertical angle

### Candela Distribution

Vertical Angle	Horizontal Angle					Zonal Lumens
	0	22.5	45	67.5	90	
0	776	776	776	776	776	71
5	768	760	749	727	728	179
15	709	670	635	603	600	234
25	612	547	510	461	452	244
35	490	422	370	347	351	230
45	357	305	280	286	291	188
55	219	198	209	213	223	142
65	99	122	138	166	182	94
75	48	59	100	106	111	56
85	16	31	57	68	75	208
90	5	29	49	67	69	609
95	72	150	212	206	247	913
105	287	522	652	653	706	1058
115	520	782	1042	1058	1116	1025
125	740	959	1280	1412	1468	875
135	939	1101	1380	1555	1615	655
145	1108	1214	1421	1577	1630	401
155	1242	1301	1435	1531	1563	136
165	1334	1362	1413	1464	1478	
175	1383	1390	1401	1409	1410	
180	1390	1390	1390	1390	1390	



### Coefficients of Utilization (%)

Ceiling:	80					70					50					0				
	70	50	30	10	0	70	50	30	10	0	70	50	30	10	0	70	50	30	10	0
0 RCR	82	82	82	82	82	73	73	73	55	55	55	44	44	13						
1	75	71	68	66	66	66	63	61	48	46	44	33	31	9						
2	68	62	58	53	60	55	51	42	39	37	11									
3	62	55	49	44	55	48	44	37	33	31	9									
4	57	48	42	37	50	43	38	33	29	26	8									
5	52	43	37	32	46	38	33	29	25	22	7									
6	48	38	32	28	42	34	29	26	22	19	6									
7	44	34	28	24	39	31	25	24	20	17	6									
8	41	31	25	21	36	28	23	21	18	15	5									
9	38	28	22	18	33	25	20	19	16	13	5									
10	35	26	20	16	31	23	18	18	14	12	4									

Based on a floor reflectance of 0.2

### Avg. Luminance (cd/m²)

Vertical Angle	Horizontal Angle		
	0	45	90
55	1556	1086	1043
65	955	858	986
75	756	804	742
85	748	677	680

IES files for this and other photometric options can be downloaded online at [www.ledalite.com](http://www.ledalite.com)

## Additional Information

### Modules

Module length excludes endcaps.  
Nominal mount spacing for individually mounted modules.

Module	Mount Spacing
4ft	4' 0"
8ft	8' 0"
12ft	12' 0"

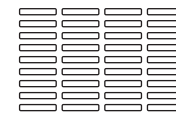
### Endcap



### Lower Optics



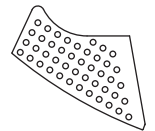
Round Perf Housing



Slot Perf Housing

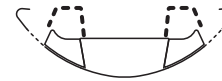


Solid Baffle



Round Perf Baffle

### Upper Optics



D Down Kit



Y Lamp Separator

## Specifications

Due to continuing product improvements, Ledalite reserves the right to change specifications without notice.

### Housing

Die-formed 20 gauge cold-rolled steel.

### Weight

3.0 lb/ft.

### Optical System

Direct/Indirect: Constructed of 96% reflective white steel to produce a direct/indirect distribution. Baffles are white blades spaced 2-7/16" apart and are 3/4" deep (18 cells per 4ft section). Perforation of baffles and housing is optional. Perforated housing options include acrylic overlay. Optional field-installable Variable Optics kits provide additional downlight as required.

Semi-Indirect: Constructed of 96% reflective white steel with perforated housing and acrylic overlay to produce a semi-indirect distribution. Perforated housing available in round or slot perforation patterns.

Indirect: Constructed of 96% reflective white steel to produce an indirect distribution.

High performance options use additional highly-specular aluminum reflectors.

### Endcaps

Die-cast endcap or optional die-cast sculptured endcap.

### Joints

Self-aligning joining system with hands-free pre-joining wire access.

### Mounting

Aircraft cable gripper is tamper-resistant and provides infinite vertical adjustment capability. Aircraft cable, crimp and cable gripper independently tested to meet stringent safety requirements.

### Electrical

Factory pre-wired to section ends with quick-wire connectors.

### Ballast

Electronic.

### Approvals

Certified to UL and CSA standards.

### Finish

High-quality powder coat. Available in Ledalite Standard White (textured matte finish), and a selection of other factory and customer-specified colors. Consult factory for details.