

Centris®



Suspended
 Direct/Indirect (High Performance)
 3 T8 - Perf Housing



Project Name

Spec Type

Notes




Order Guide

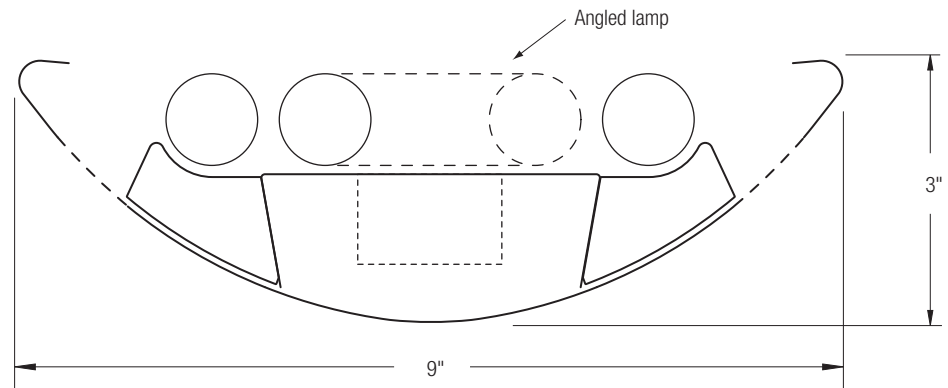
Some combinations of product options may not be available. Consult factory for assistance with your specification.

9507	T03			-		-		-			
Product Series & Type Centris Direct/Indirect (High Performance)	Lamping 3 T8	Lower Optics M Round Perf Housing / Solid Baffle T Round Perf Housing / Round Perf Baffle U Slot Perf Housing / Solid Baffle Z Slot Perf Housing / Round Perf Baffle	Upper Optics N None D Down Kit Y Lamp Separator	Run Length <i>Enter the total run length in feet (4ft increments)</i>	Wiring 1 1 cct 2 2 cct 3 1 cct w/ Emergency cct 4 2 cct w/ Emergency cct 5 1 cct w/ Battery Pack 6 2 cct w/ Battery Pack 7 1 cct Dimming	Voltage 1 120V 2 277V 3 347V	Ballast E Standard Ballast Consult website for ballast manufacturer information	Color & Finish W Standard White C Factory Color X Custom Color Consult website for color and finish options	Mounting Hardware <input type="text"/> <input type="text"/> Mount Type <input type="text"/> Suspension Length <input type="text"/> Consult separate mounting spec sheet for mount type options <i>Enter distance from ceiling to top of fixture in inches</i>		
		See details on reverse	See details on reverse	See details on reverse	Consult website for complete list of standard wiring options						

Upgrades & Accessories

Please indicate with check mark.

<input type="checkbox"/> Lamps Included	<input type="checkbox"/> Lamps Included and Installed
<input type="checkbox"/> Sculptured Endcap See details on reverse	<input type="checkbox"/> Dust Cover 
<input type="checkbox"/> Response Daylight (Integrated Controls) For details visit www.ledalite.com/response	



Centris®

Suspended
Direct/Indirect (High Performance)
3 T8 - Perf Housing



Photometry Optics TD Round Perf Housing / Round Perf Baffle w/ Down Kit

Report Summary

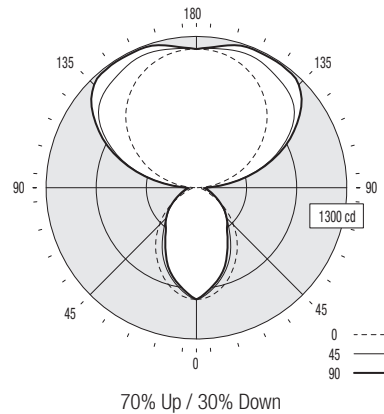
Report # 9900060
Filename 9507T03MD-TD.ies
Efficiency 76%

Peak Candela Value* 1287 @ 148°
Peak to Zenith Ratio* 1.1 : 1

* Between 90-180° vertical angle

Candela Distribution

Vertical Angle	Horizontal Angle					Zonal Lumens
	0	22.5	45	67.5	90	
0	961	961	961	961	961	
5	951	940	925	909	908	87
15	879	839	813	793	790	230
25	758	706	675	635	625	311
35	616	560	508	472	461	326
45	453	411	366	364	369	299
55	289	264	267	267	271	242
65	137	161	171	174	180	166
75	66	80	102	113	119	105
85	20	41	65	79	84	67
90	5	36	63	88	82	
95	80	150	199	215	210	199
105	284	439	529	542	540	505
115	499	672	809	842	847	739
125	693	840	1029	1083	1090	857
135	865	975	1139	1236	1251	849
145	997	1073	1184	1266	1286	730
155	1093	1139	1225	1272	1285	558
165	1158	1179	1223	1258	1268	345
175	1189	1195	1202	1207	1208	117
180	1192	1192	1192	1192	1192	



Coefficients of Utilization (%)

Ceiling: Wall:	80				70				50				0			
	70	50	30	10	70	50	30	10	50	30	10	0	70	50	30	10
0 RCR	77	77	77	77	69	69	69	53	53	53	20					
1	70	67	64	62	63	60	57	47	45	44	17					
2	64	59	54	50	57	52	49	41	38	36	14					
3	58	52	46	42	52	46	42	36	33	30	12					
4	53	46	40	35	47	41	36	32	29	26	11					
5	49	41	35	30	44	36	31	29	25	22	9					
6	45	36	30	26	40	33	28	26	22	19	8					
7	42	33	27	23	37	29	24	23	20	17	7					
8	38	30	24	20	34	27	22	21	18	15	7					
9	36	27	21	18	32	24	20	19	16	13	6					
10	33	25	19	16	30	22	18	18	14	12	5					

Based on a floor reflectance of 0.2

Avg. Luminance (cd/m²)

Vertical Angle	Horizontal Angle		
	0	45	90
55	2054	1388	1267
65	1321	1063	975
75	1039	820	795
85	935	772	762

IES files for this and other photometric options can be downloaded online at www.ledalite.com

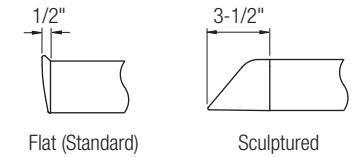
Additional Information

Modules

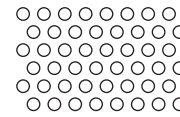
Module length excludes endcaps.
Nominal mount spacing for individually mounted modules.

Module	Mount Spacing
4ft	4' 0"
8ft	8' 0"
12ft	12' 0"

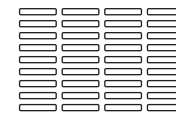
Endcap



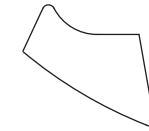
Lower Optics



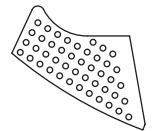
Round Perf Housing



Slot Perf Housing



Solid Baffle

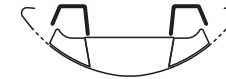


Round Perf Baffle

Upper Optics



D Down Kit



Y Lamp Separator

Specifications

Due to continuing product improvements, Ledalite reserves the right to change specifications without notice.

Housing

Die-formed 20 gauge cold-rolled steel.

Weight

3.0 lb/ft.

Optical System

Direct/Indirect: Constructed of 96% reflective white steel to produce a direct/indirect distribution. Baffles are white blades spaced 2-7/16" apart and are 3/4" deep (18 cells per 4ft section). Perforation of baffles and housing is optional. Perforated housing options include acrylic overlay. Optional field-installable Variable Optics kits provide additional downlight as required.

Semi-Indirect: Constructed of 96% reflective white steel with perforated housing and acrylic overlay to produce a semi-indirect distribution. Perforated housing available in round or slot perforation patterns.

Indirect: Constructed of 96% reflective white steel to produce an indirect distribution.

High performance options use additional highly-specular aluminum reflectors.

Endcaps

Die-cast endcap or optional die-cast sculptured endcap.

Joints

Self-aligning joining system with hands-free pre-joining wire access.

Mounting

Aircraft cable gripper is tamper-resistant and provides infinite vertical adjustment capability. Aircraft cable, crimp and cable gripper independently tested to meet stringent safety requirements.

Electrical

Factory pre-wired to section ends with quick-wire connectors.

Ballast

Electronic.

Approvals

Certified to UL and CSA standards.

Finish

High-quality powder coat. Available in Ledalite Standard White (textured matte finish), and a selection of other factory and customer-specified colors. Consult factory for details.