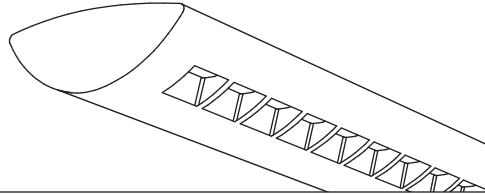


# Centris®



Suspended  
 Direct/Indirect (High Performance)  
 3 T8 - Solid Housing



Project Name

Spec Type

Notes




## Order Guide

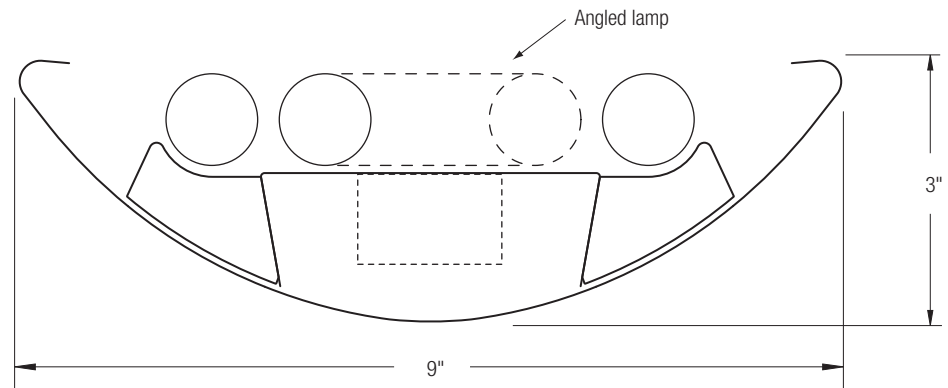
Some combinations of product options may not be available. Consult factory for assistance with your specification.

<b>9507</b>	<b>T03</b>			-		-		-		
<b>Product Series &amp; Type</b> Centris Direct/Indirect (High Performance)	<b>Lamping</b> 3 T8	<b>Lower Optics</b> C Solid Baffle R Round Perf Baffle	<b>Upper Optics</b> N None D Down Kit Y Lamp Separator	<b>Run Length</b> <i>Enter the total run length in feet (4ft increments)</i>	<b>Wiring</b> 1 1 cct 2 2 cct 3 1 cct w/ Emergency cct 4 2 cct w/ Emergency cct 5 1 cct w/ Battery Pack 6 2 cct w/ Battery Pack 7 1 cct Dimming	<b>Voltage</b> 1 120V 2 277V 3 347V	<b>Ballast</b> E Standard Ballast  Consult website for ballast manufacturer information	<b>Color &amp; Finish</b> W Standard White C Factory Color X Custom Color  Consult website for color and finish options		
		See details on reverse	See details on reverse	See details on reverse	Consult website for complete list of standard wiring options					
<b>Mounting Hardware</b>										
<b>Mount Type</b> Consult separate mounting spec sheet for mount type options						<b>Suspension Length</b> <i>Enter distance from ceiling to top of fixture in inches</i>				

## Upgrades & Accessories

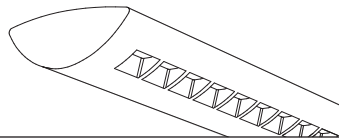
Please indicate with check mark.

<input type="checkbox"/> Lamps Included	<input type="checkbox"/> Lamps Included and Installed
<input type="checkbox"/> Sculptured Endcap See details on reverse	<input type="checkbox"/> Dust Cover 
<input type="checkbox"/> Response Daylight (Integrated Controls) For details visit <a href="http://www.ledalite.com/response">www.ledalite.com/response</a>	



# Centris®

Suspended  
Direct/Indirect (High Performance)  
3 T8 - Solid Housing



## Photometry Optics RY Round Perf Baffle w/ Lamp Separator

### Report Summary

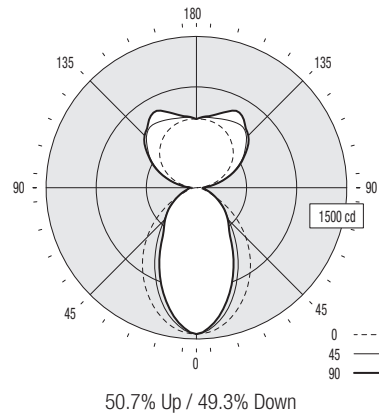
Report # 9900131  
Filename 9507T03CY-RY.ies  
Efficiency 60%

Peak Candela Value\* 860 @ 153°  
Peak to Zenith Ratio\* 1.3 : 1

\* Between 90-180° vertical angle

### Candela Distribution

Vertical Angle	Horizontal Angle					Zonal Lumens
	0	22.5	45	67.5	90	
0	1451	1451	1451	1451	1451	
5	1439	1434	1416	1394	1396	134
15	1334	1296	1233	1177	1166	347
25	1157	1083	966	889	875	454
35	940	835	696	602	584	453
45	697	584	457	437	441	394
55	439	356	320	312	316	306
65	195	204	198	195	201	199
75	81	94	111	113	117	114
85	23	46	65	73	76	65
90	2	33	54	63	64	
95	57	77	103	106	109	105
105	189	237	263	267	270	263
115	316	392	432	439	445	405
125	429	525	581	597	599	493
135	519	592	707	721	731	509
145	589	632	762	820	824	456
155	640	667	739	813	843	342
165	670	690	714	742	751	203
175	682	688	697	703	704	68
180	681	681	681	681	681	



### Coefficients of Utilization (%)

Ceiling: Walk:	80				70				50				0				
	70	50	30	10	70	50	30	10	50	30	10	0	70	50	30	10	0
0 RCR	63	63	63	63	58	58	58	48	48	48	27						
1	58	56	53	51	53	51	49	43	41	40	23						
2	53	49	45	42	49	45	42	38	36	34	20						
3	49	43	39	36	45	40	36	34	31	29	17						
4	45	38	34	30	41	36	32	30	27	25	15						
5	41	34	30	26	38	32	28	27	24	22	14						
6	38	31	26	23	35	29	25	25	21	19	12						
7	35	28	24	20	32	26	22	22	19	17	11						
8	33	26	21	18	30	24	20	20	17	15	10						
9	31	23	19	16	28	22	18	19	16	14	9						
10	29	22	17	15	26	20	16	17	14	12	8						

Based on a floor reflectance of 0.2

### Avg. Luminance (cd/m<sup>2</sup>)

Vertical Angle	Horizontal Angle		
	0	45	90
55	3119	1663	1478
65	1881	1231	1089
75	1276	892	782
85	1076	772	689

IES files for this and other photometric options can be downloaded online at [www.ledalite.com](http://www.ledalite.com)

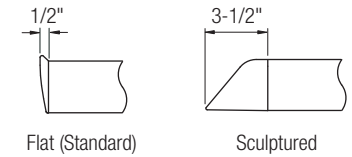
## Additional Information

### Modules

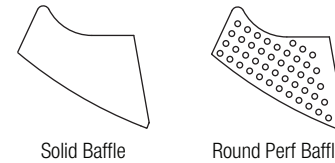
Module length excludes endcaps.  
Nominal mount spacing for individually mounted modules.

Module	Mount Spacing
4ft	4' 0"
8ft	8' 0"
12ft	12' 0"

### Endcap



### Lower Optics



### Upper Optics



## Specifications

Due to continuing product improvements, Ledalite reserves the right to change specifications without notice.

### Housing

Die-formed 20 gauge cold-rolled steel.

### Weight

3.0 lb/ft.

### Optical System

Direct/Indirect: Constructed of 96% reflective white steel to produce a direct/indirect distribution. Baffles are white blades spaced 2-7/16" apart and are 3/4" deep (18 cells per 4ft section). Perforation of baffles and housing is optional. Perforated housing options include acrylic overlay. Optional field-installable Variable Optics kits provide additional downlight as required.

Semi-Indirect: Constructed of 96% reflective white steel with perforated housing and acrylic overlay to produce a semi-indirect distribution. Perforated housing available in round or slot perforation patterns.

Indirect: Constructed of 96% reflective white steel to produce an indirect distribution.

High performance options use additional highly-specular aluminum reflectors.

### Endcaps

Die-cast endcap or optional die-cast sculptured endcap.

### Joints

Self-aligning joining system with hands-free pre-joining wire access.

### Mounting

Aircraft cable gripper is tamper-resistant and provides infinite vertical adjustment capability. Aircraft cable, crimp and cable gripper independently tested to meet stringent safety requirements.

### Electrical

Factory pre-wired to section ends with quick-wire connectors.

### Ballast

Electronic.

### Approvals

Certified to UL and CSA standards.

### Finish

High-quality powder coat. Available in Ledalite Standard White (textured matte finish), and a selection of other factory and customer-specified colors. Consult factory for details.