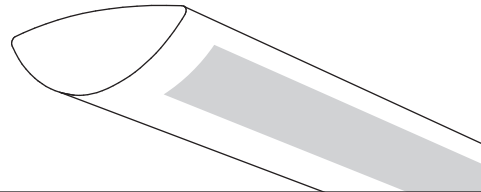


Suspended
Semi-Indirect (High Performance)
3 T8



Project Name

Spec Type

Notes


Order Guide

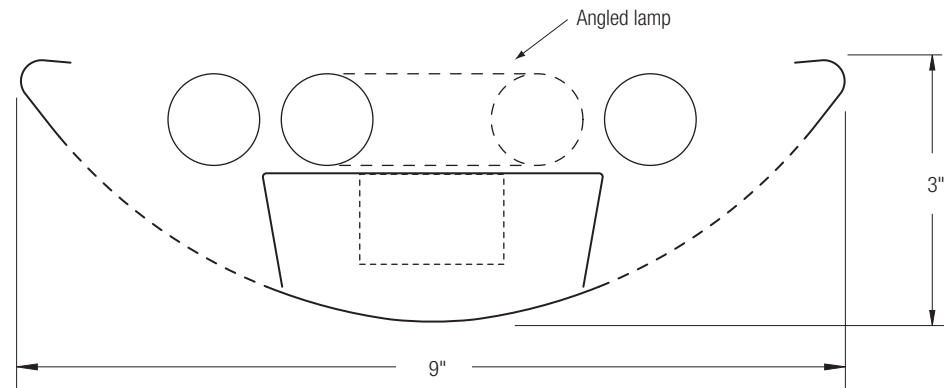
Some combinations of product options may not be available. Consult factory for assistance with your specification.

| | | | | | | | | | | | |
|--|------------------------|--|-------------------------------|---|--|---|--|--|----------------------|---|----------------------|
| 9504 | T03 | <input type="text"/> | <input type="text"/> | - | <input type="text"/> | - | <input type="text"/> | - | <input type="text"/> | - | <input type="text"/> |
| Product Series & Type Centris Semi-Indirect (High Performance) | Lamping 3 T8 | Lower Optics L Round Perf Housing I Slot Perf Housing | Upper Optics N None | Run Length <i>Enter the total run length in feet (4ft increments)</i> | Wiring 1 1 cct 2 2 cct 3 1 cct w/ Emergency cct 4 2 cct w/ Emergency cct 5 1 cct w/ Battery Pack 6 2 cct w/ Battery Pack 7 1 cct Dimming | Voltage 1 120V 2 277V 3 347V | Ballast E Standard Ballast Consult website for ballast manufacturer information | Color & Finish W Standard White C Factory Color X Custom Color Consult website for color and finish options | | | |
| | | See details on reverse | See details on reverse | See details on reverse | Consult website for complete list of standard wiring options | Mounting Hardware <input type="text"/> <input type="text"/> Mount Type <input type="text"/> Suspension Length Consult separate mounting spec sheet for mount type options <i>Enter distance from ceiling to top of fixture in inches</i> | | | | | |

Upgrades & Accessories

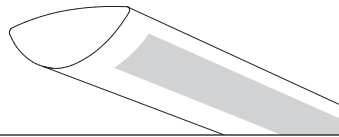
Please indicate with check mark.

| | |
|--|--|
| <input type="checkbox"/> Lamps Included | <input type="checkbox"/> Lamps Included and Installed |
| <input type="checkbox"/> Sculptured Endcap See details on reverse | <input type="checkbox"/> Dust Cover  |
| <input type="checkbox"/> Response Daylight (Integrated Controls) For details visit www.ledalite.com/response | |



Centris®

Suspended
Semi-Indirect (High Performance)
3 T8



Photometry Optics LN Round Perf Housing

Report Summary

Report # 2101647
Filename 9504T03LN.ies
Efficiency 77.6%

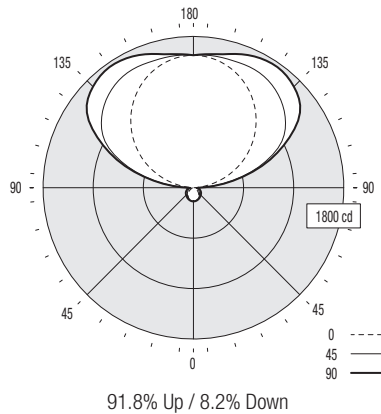
Peak Candela Value* 1753 @ 145°
Peak to Zenith Ratio* 1.1 : 1

* Between 90-180° vertical angle

Meets RP-1-04 recommendations for VDT-Normal spaces

Candela Distribution

| Vertical Angle | Horizontal Angle | | | | | Zonal Lumens |
|----------------|------------------|------|------|------|------|--------------|
| | 0 | 22.5 | 45 | 67.5 | 90 | |
| 0 | 163 | 163 | 163 | 163 | 163 | |
| 5 | 161 | 161 | 162 | 162 | 162 | 16 |
| 15 | 153 | 151 | 154 | 155 | 157 | 43 |
| 25 | 134 | 134 | 140 | 143 | 147 | 64 |
| 35 | 111 | 111 | 122 | 129 | 136 | 76 |
| 45 | 83 | 86 | 103 | 115 | 124 | 80 |
| 55 | 54 | 61 | 86 | 102 | 112 | 74 |
| 65 | 27 | 41 | 68 | 86 | 95 | 64 |
| 75 | 14 | 23 | 50 | 67 | 76 | 48 |
| 85 | 5 | 13 | 32 | 46 | 56 | 34 |
| 90 | 4 | 21 | 38 | 59 | 61 | |
| 95 | 73 | 156 | 230 | 210 | 250 | 218 |
| 105 | 316 | 565 | 704 | 685 | 734 | 649 |
| 115 | 585 | 830 | 1117 | 1149 | 1192 | 982 |
| 125 | 835 | 1034 | 1346 | 1501 | 1557 | 1131 |
| 135 | 1059 | 1210 | 1478 | 1644 | 1700 | 1103 |
| 145 | 1251 | 1349 | 1559 | 1705 | 1753 | 957 |
| 155 | 1404 | 1460 | 1587 | 1691 | 1724 | 729 |
| 165 | 1511 | 1539 | 1585 | 1632 | 1647 | 449 |
| 175 | 1568 | 1575 | 1585 | 1592 | 1594 | 154 |
| 180 | 1576 | 1576 | 1576 | 1576 | 1576 | |



Coefficients of Utilization (%)

| Ceiling: Wall: | 80 | | | | 70 | | | | 50 | | | | 0 |
|-------------------|----|----|----|----|----|----|----|----|----|----|----|---|---|
| | 70 | 50 | 30 | 10 | 70 | 50 | 30 | 10 | 50 | 30 | 10 | 0 | |
| 0 RCR | 75 | 75 | 75 | 75 | 65 | 65 | 65 | 46 | 46 | 46 | 5 | | |
| 1 | 68 | 65 | 62 | 59 | 59 | 56 | 54 | 40 | 38 | 37 | 4 | | |
| 2 | 62 | 56 | 52 | 48 | 53 | 49 | 45 | 35 | 32 | 30 | 3 | | |
| 3 | 56 | 49 | 44 | 40 | 48 | 43 | 38 | 30 | 28 | 25 | 3 | | |
| 4 | 51 | 43 | 38 | 33 | 44 | 38 | 33 | 27 | 24 | 21 | 2 | | |
| 5 | 47 | 38 | 32 | 28 | 40 | 33 | 28 | 24 | 20 | 18 | 2 | | |
| 6 | 43 | 34 | 28 | 24 | 37 | 30 | 25 | 21 | 18 | 15 | 1 | | |
| 7 | 39 | 31 | 25 | 21 | 34 | 27 | 22 | 19 | 16 | 13 | 1 | | |
| 8 | 36 | 27 | 22 | 18 | 31 | 24 | 19 | 17 | 14 | 12 | 1 | | |
| 9 | 34 | 25 | 19 | 16 | 29 | 22 | 17 | 15 | 12 | 10 | 1 | | |
| 10 | 31 | 23 | 17 | 14 | 27 | 20 | 15 | 14 | 11 | 9 | 1 | | |

Based on a floor reflectance of 0.2

Avg. Luminance (cd/m²)

| Vertical Angle | Horizontal Angle | | |
|----------------|------------------|-----|-----|
| | 0 | 45 | 90 |
| 55 | 384 | 447 | 524 |
| 65 | 260 | 423 | 515 |
| 75 | 220 | 402 | 508 |
| 85 | 234 | 380 | 508 |

IES files for this and other photometric options can be downloaded online at www.ledalite.com

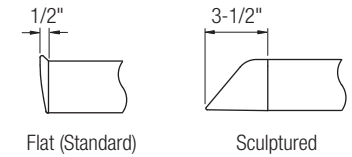
Additional Information

Modules

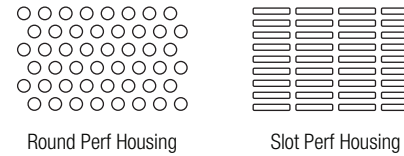
Module length excludes endcaps.
Nominal mount spacing for individually mounted modules.

| Module | Mount Spacing |
|--------|---------------|
| 4ft | 4' 0" |
| 8ft | 8' 0" |
| 12ft | 12' 0" |

Endcap



Lower Optics



Specifications

Due to continuing product improvements, Ledalite reserves the right to change specifications without notice.

Housing

Die-formed 20 gauge cold-rolled steel.

Weight

3.0 lb/ft.

Optical System

Direct/Indirect: Constructed of 96% reflective white steel to produce a direct/indirect distribution. Baffles are white blades spaced 2-7/16" apart and are 3/4" deep (18 cells per 4ft section). Perforation of baffles and housing is optional. Perforated housing options include acrylic overlay. Optional field-installable Variable Optics kits provide additional downlight as required.

Semi-Indirect: Constructed of 96% reflective white steel with perforated housing and acrylic overlay to produce a semi-indirect distribution. Perforated housing available in round or slot perforation patterns.

Indirect: Constructed of 96% reflective white steel to produce an indirect distribution.

High performance options use additional highly-specular aluminum reflectors.

Endcaps

Die-cast endcap or optional die-cast sculptured endcap.

Joints

Self-aligning joining system with hands-free pre-joining wire access.

Mounting

Aircraft cable gripper is tamper-resistant and provides infinite vertical adjustment capability. Aircraft cable, crimp and cable gripper independently tested to meet stringent safety requirements.

Electrical

Factory pre-wired to section ends with quick-wire connectors.

Ballast

Electronic.

Approvals

Certified to UL and CSA standards.

Finish

High-quality powder coat. Available in Ledalite Standard White (textured matte finish), and a selection of other factory and customer-specified colors. Consult factory for details.