

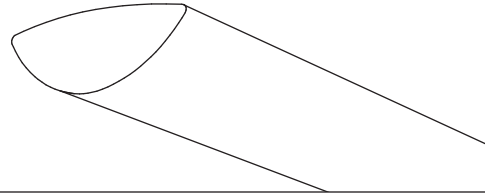
Centris®



Suspended

Indirect (High Performance)

3 T8



Project Name

Spec Type

Notes


Order Guide

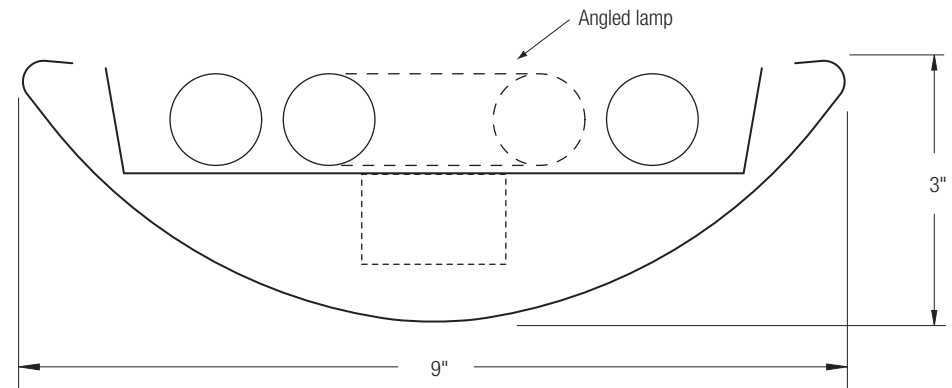
Some combinations of product options may not be available. Consult factory for assistance with your specification.

9502	T03			-		-		-		
Product Series & Type Centris Indirect (High Performance)	Lamping 3 T8	Lower Optics E Solid Housing	Upper Optics N None	Run Length <i>Enter the total run length in feet (4ft increments)</i>	Wiring 1 1 cct 2 2 cct 3 1 cct w/ Emergency cct 4 2 cct w/ Emergency cct 5 1 cct w/ Battery Pack 6 2 cct w/ Battery Pack 7 1 cct Dimming	Voltage 1 120V 2 277V 3 347V	Ballast E Standard Ballast Consult website for ballast manufacturer information	Color & Finish W Standard White C Factory Color X Custom Color Consult website for color and finish options		
		See details on reverse	See details on reverse	See details on reverse	Consult website for complete list of standard wiring options					
Mounting Hardware										
Mount Type					Suspension Length <i>Enter distance from ceiling to top of fixture in inches</i>					
Consult separate mounting spec sheet for mount type options										

Upgrades & Accessories

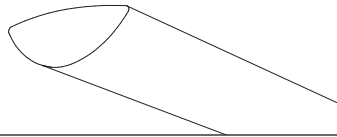
Please indicate with check mark.

<input type="checkbox"/> Lamps Included	<input type="checkbox"/> Lamps Included and Installed
<input type="checkbox"/> Sculptured Endcap See details on reverse	<input type="checkbox"/> Dust Cover
	
<input type="checkbox"/> Response Daylight (Integrated Controls) For details visit www.ledalite.com/response	



Centris®

Suspended
Indirect (High Performance)
3 TB



Photometry Optics EN

Report Summary

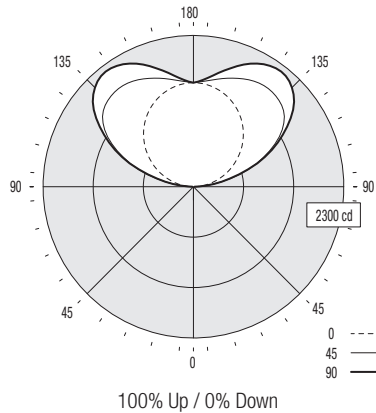
Report # 2101708
Filename 9502T03EN.ies
Efficiency 82.5%

Peak Candela Value* 2206 @ 143°
Peak to Zenith Ratio* 1.4 : 1
* Between 90-180° vertical angle

Meets RP-1-04 recommendations for VDT-Intensive spaces

Candela Distribution

Vertical Angle	Horizontal Angle					Zonal Lumens
	0	22.5	45	67.5	90	
0	0	0	0	0	0	
5	0	0	0	0	0	0
15	0	0	0	0	0	0
25	0	0	0	0	0	0
35	0	0	0	0	0	0
45	0	0	0	0	0	0
55	0	0	0	0	0	0
65	0	0	0	0	0	0
75	0	0	0	0	0	0
85	0	0	0	0	0	0
90	8	3	11	4	16	
95	118	139	198	161	191	194
105	359	645	746	692	719	691
115	613	1056	1284	1293	1323	1133
125	855	1278	1688	1784	1816	1356
135	1079	1413	1853	2079	2131	1338
145	1268	1507	1878	2125	2199	1134
155	1416	1560	1809	2004	2065	823
165	1519	1582	1702	1806	1830	481
175	1574	1586	1606	1628	1629	156
180	1582	1582	1582	1582	1582	



Coefficients of Utilization (%)

Ceiling:	80				70				50				0
	70	50	30	10	70	50	30	10	70	50	30	10	
0 RCR	78	78	78	78	67	67	67	45	45	45	0	0	
1	71	68	65	62	61	58	56	39	38	37	0	0	
2	65	59	54	51	55	50	47	34	32	30	0	0	
3	59	52	46	42	50	44	40	30	27	25	0	0	
4	54	45	40	35	45	39	34	27	24	21	0	0	
5	49	40	34	30	42	34	29	24	20	18	0	0	
6	45	36	30	25	38	31	26	21	18	15	0	0	
7	41	32	26	22	35	27	22	19	16	13	0	0	
8	38	29	23	19	32	25	20	17	14	11	0	0	
9	35	26	20	16	30	22	17	15	12	10	0	0	
10	33	23	18	14	28	20	16	14	11	9	0	0	

Based on a floor reflectance of 0.2

Avg. Luminance (cd/m²)

Vertical Angle	Horizontal Angle		
	0	45	90
55	0	0	0
65	0	0	0
75	0	0	0
85	0	0	0

IES files for this and other photometric options can be downloaded online at www.ledalite.com

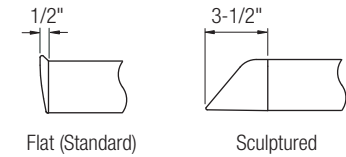
Additional Information

Modules

Module length excludes endcaps.
Nominal mount spacing for individually mounted modules.

Module	Mount Spacing
4ft	4' 0"
8ft	8' 0"
12ft	12' 0"

Endcap



Specifications

Due to continuing product improvements, Ledalite reserves the right to change specifications without notice.

Housing

Die-formed 20 gauge cold-rolled steel.

Weight

3.0 lb/ft.

Optical System

Direct/Indirect: Constructed of 96% reflective white steel to produce a direct/indirect distribution. Baffles are white blades spaced 2-7/16" apart and are 3/4" deep (18 cells per 4ft section). Perforation of baffles and housing is optional. Perforated housing options include acrylic overlay. Optional field-installable Variable Optics kits provide additional downlight as required.

Semi-Indirect: Constructed of 96% reflective white steel with perforated housing and acrylic overlay to produce a semi-indirect distribution. Perforated housing available in round or slot perforation patterns.

Indirect: Constructed of 96% reflective white steel to produce an indirect distribution.

High performance options use additional highly-specular aluminum reflectors.

Endcaps

Die-cast endcap or optional die-cast sculptured endcap.

Joints

Self-aligning joining system with hands-free pre-joining wire access.

Mounting

Aircraft cable gripper is tamper-resistant and provides infinite vertical adjustment capability. Aircraft cable, crimp and cable gripper independently tested to meet stringent safety requirements.

Electrical

Factory pre-wired to section ends with quick-wire connectors.

Ballast

Electronic.

Approvals

Certified to UL and CSA standards.

Finish

High-quality powder coat. Available in Ledalite Standard White (textured matte finish), and a selection of other factory and customer-specified colors. Consult factory for details.