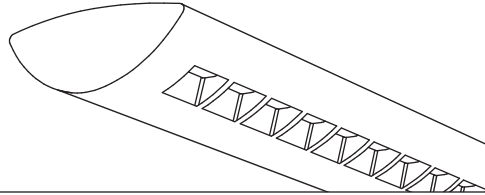


Centris®



Suspended
 Direct/Indirect (High Performance)
 3 T8 - Solid Housing



Project Name

Spec Type

Notes




Order Guide

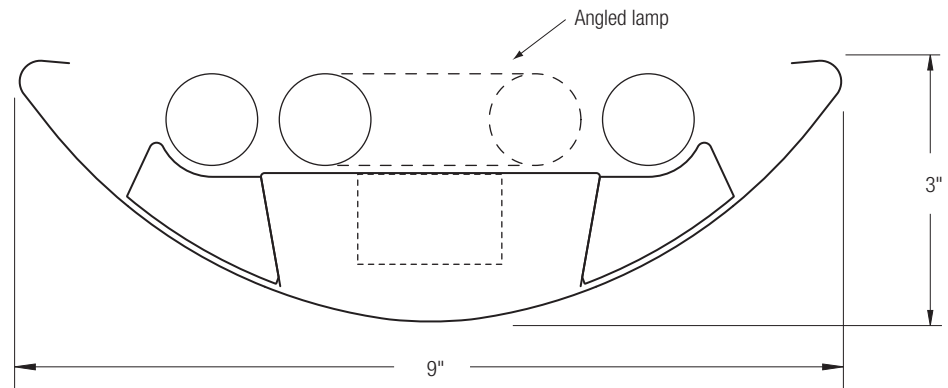
Some combinations of product options may not be available. Consult factory for assistance with your specification.

9507	T03			-		-		-	
Product Series & Type Centris Direct/Indirect (High Performance)	Lamping 3 T8	Lower Optics C Solid Baffle R Round Perf Baffle	Upper Optics N None D Down Kit Y Lamp Separator	Run Length <i>Enter the total run length in feet (4ft increments)</i>	Wiring 1 1 cct 2 2 cct 3 1 cct w/ Emergency cct 4 2 cct w/ Emergency cct 5 1 cct w/ Battery Pack 6 2 cct w/ Battery Pack 7 1 cct Dimming	Voltage 1 120V 2 277V 3 347V	Ballast E Standard Ballast Consult website for ballast manufacturer information	Color & Finish W Standard White C Factory Color X Custom Color Consult website for color and finish options	
		See details on reverse	See details on reverse	See details on reverse	Consult website for complete list of standard wiring options				
Mounting Hardware									
Mount Type Consult separate mounting spec sheet for mount type options				Suspension Length <i>Enter distance from ceiling to top of fixture in inches</i>					

Upgrades & Accessories

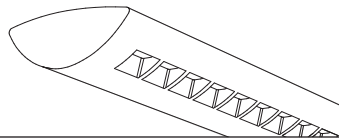
Please indicate with check mark.

<input type="checkbox"/> Lamps Included	<input type="checkbox"/> Lamps Included and Installed
<input type="checkbox"/> Sculptured Endcap See details on reverse	<input type="checkbox"/> Dust Cover 
<input type="checkbox"/> Response Daylight (Integrated Controls) For details visit www.ledalite.com/response	



Centris®

Suspended
Direct/Indirect (High Performance)
3 T8 - Solid Housing



Photometry Optics CN Solid Baffle

Report Summary

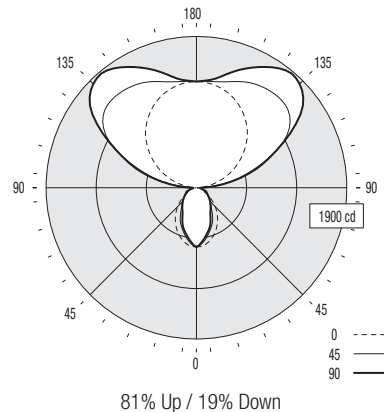
Report # 2101632
Filename 9507T03CN-RN.ies
Efficiency 84.1%

Peak Candela Value* 1872 @ 140°
Peak to Zenith Ratio* 1.4 : 1
* Between 90-180° vertical angle

Meets RP-1-04 recommendations for VDT-Normal spaces

Candela Distribution

Vertical Angle	Horizontal Angle					Zonal Lumens
	0	22.5	45	67.5	90	
0	744	744	744	744	744	
5	738	725	711	688	693	68
15	681	632	597	564	568	169
25	584	511	479	421	421	219
35	465	391	335	309	312	222
45	336	282	247	237	242	203
55	203	185	176	174	183	164
65	95	109	117	132	142	119
75	47	51	80	74	79	73
85	17	28	43	47	51	43
90	6	28	41	47	50	
95	76	158	205	171	235	199
105	273	572	648	614	684	608
115	495	883	1125	1070	1121	958
125	709	1043	1445	1542	1604	1153
135	912	1149	1537	1771	1843	1124
145	1068	1223	1523	1760	1829	933
155	1195	1270	1466	1623	1665	671
165	1282	1310	1377	1460	1477	393
175	1327	1333	1341	1350	1351	130
180	1333	1333	1333	1333	1333	



Coefficients of Utilization (%)

Ceiling:	80				70				50				0
	70	50	30	10	70	50	30	10	50	30	10	0	
0 RCR	83	83	83	83	73	73	73	54	54	54	14		
1	76	72	69	66	66	64	61	47	46	44	12		
2	69	63	58	54	60	56	52	42	39	37	10		
3	63	56	50	45	55	49	44	37	34	31	9		
4	58	49	43	38	50	43	38	33	29	26	7		
5	53	44	37	32	46	39	33	29	25	23	6		
6	48	39	33	28	42	34	29	26	22	20	6		
7	45	35	29	24	39	31	26	24	20	17	5		
8	41	32	25	21	36	28	23	21	18	15	5		
9	38	29	23	19	34	25	20	19	16	13	4		
10	36	26	20	17	31	23	18	18	14	12	4		

Based on a floor reflectance of 0.2

Avg. Luminance (cd/m²)

Vertical Angle	Horizontal Angle		
	0	45	90
55	1442	915	856
65	916	727	769
75	740	643	528
85	795	510	463

IES files for this and other photometric options can be downloaded online at www.ledalite.com

Additional Information

Modules

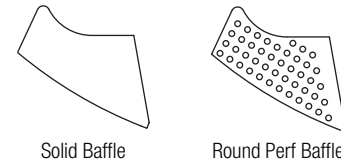
Module length excludes endcaps.
Nominal mount spacing for individually mounted modules.

Module	Mount Spacing
4ft	4' 0"
8ft	8' 0"
12ft	12' 0"

Endcap



Lower Optics



Upper Optics



Specifications

Due to continuing product improvements, Ledalite reserves the right to change specifications without notice.

Housing

Die-formed 20 gauge cold-rolled steel.

Weight

3.0 lb/ft.

Optical System

Direct/Indirect: Constructed of 96% reflective white steel to produce a direct/indirect distribution. Baffles are white blades spaced 2-7/16" apart and are 3/4" deep (18 cells per 4ft section). Perforation of baffles and housing is optional. Perforated housing options include acrylic overlay. Optional field-installable Variable Optics kits provide additional downlight as required.

Semi-Indirect: Constructed of 96% reflective white steel with perforated housing and acrylic overlay to produce a semi-indirect distribution. Perforated housing available in round or slot perforation patterns.

Indirect: Constructed of 96% reflective white steel to produce an indirect distribution.

High performance options use additional highly-specular aluminum reflectors.

Endcaps

Die-cast endcap or optional die-cast sculptured endcap.

Joints

Self-aligning joining system with hands-free pre-joining wire access.

Mounting

Aircraft cable gripper is tamper-resistant and provides infinite vertical adjustment capability. Aircraft cable, crimp and cable gripper independently tested to meet stringent safety requirements.

Electrical

Factory pre-wired to section ends with quick-wire connectors.

Ballast

Electronic.

Approvals

Certified to UL and CSA standards.

Finish

High-quality powder coat. Available in Ledalite Standard White (textured matte finish), and a selection of other factory and customer-specified colors. Consult factory for details.