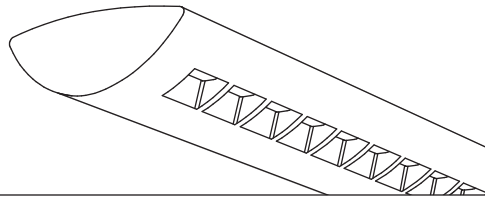


Centris®



Suspended
 Direct/Indirect (High Performance)
 3 T8 - Solid Housing



Project Name

Spec Type

Notes




Order Guide

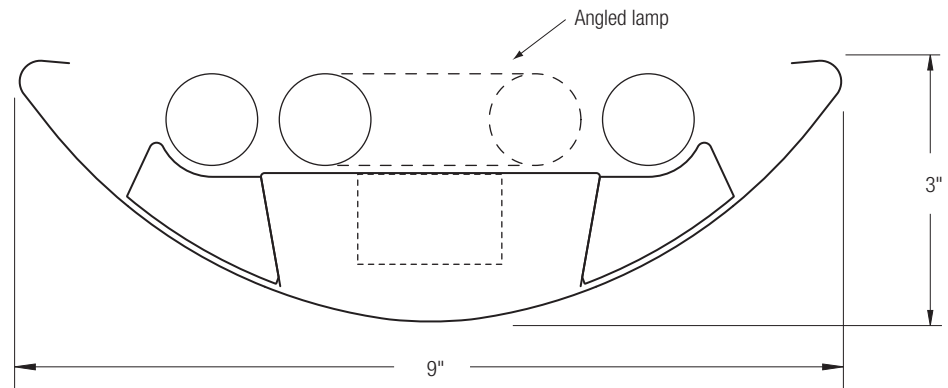
Some combinations of product options may not be available. Consult factory for assistance with your specification.

9507	T03			-		-		-	
Product Series & Type Centris Direct/Indirect (High Performance)	Lamping 3 T8	Lower Optics C Solid Baffle R Round Perf Baffle	Upper Optics N None D Down Kit Y Lamp Separator	Run Length <i>Enter the total run length in feet (4ft increments)</i>	Wiring 1 1 cct 2 2 cct 3 1 cct w/ Emergency cct 4 2 cct w/ Emergency cct 5 1 cct w/ Battery Pack 6 2 cct w/ Battery Pack 7 1 cct Dimming	Voltage 1 120V 2 277V 3 347V	Ballast E Standard Ballast Consult website for ballast manufacturer information	Color & Finish W Standard White C Factory Color X Custom Color Consult website for color and finish options	
		See details on reverse	See details on reverse	See details on reverse	Consult website for complete list of standard wiring options				
Mounting Hardware									
Mount Type Consult separate mounting spec sheet for mount type options				Suspension Length <i>Enter distance from ceiling to top of fixture in inches</i>					

Upgrades & Accessories

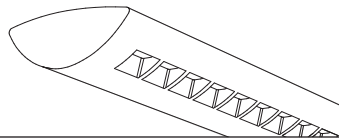
Please indicate with check mark.

<input type="checkbox"/> Lamps Included	<input type="checkbox"/> Lamps Included and Installed
<input type="checkbox"/> Sculptured Endcap See details on reverse	<input type="checkbox"/> Dust Cover 
<input type="checkbox"/> Response Daylight (Integrated Controls) For details visit www.ledalite.com/response	



Centris®

Suspended
Direct/Indirect (High Performance)
3 T8 - Solid Housing



Photometry Optics CD Solid Baffle w/ Down Kit

Report Summary

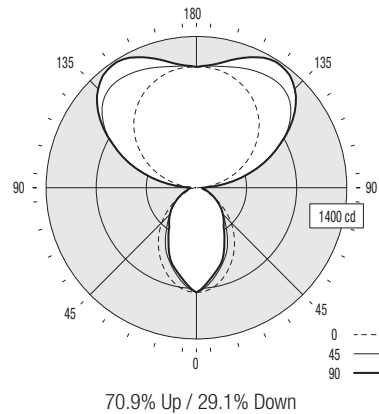
Report # 9900010
Filename 9507T03CD-RD.ies
Efficiency 74.9%

Peak Candela Value* 1380 @ 148°
Peak to Zenith Ratio* 1.2 : 1

* Between 90-180° vertical angle

Candela Distribution

Vertical Angle	Horizontal Angle					Zonal Lumens
	0	22.5	45	67.5	90	
0	969	969	969	969	969	
5	961	951	928	909	908	87
15	888	840	798	777	774	228
25	766	693	663	623	612	305
35	618	548	492	449	441	316
45	456	402	349	344	348	290
55	287	260	252	247	249	230
65	135	157	158	156	159	154
75	64	75	89	90	93	91
85	22	38	53	59	62	55
90	5	30	50	62	56	
95	80	140	188	195	182	182
105	279	435	508	515	503	486
115	481	690	810	814	811	732
125	664	862	1060	1092	1093	868
135	826	964	1204	1284	1294	870
145	948	1037	1232	1354	1377	749
155	1036	1084	1204	1302	1332	552
165	1094	1114	1159	1206	1222	328
175	1118	1124	1131	1134	1135	110
180	1118	1118	1118	1118	1118	



Coefficients of Utilization (%)

Ceiling:	80				70				50				0
	70	50	30	10	70	50	30	10	50	30	10	0	
0 RCR	76	76	76	76	68	68	68	52	52	52	19		
1	69	66	63	61	61	59	57	46	44	43	16		
2	63	58	53	50	56	52	48	40	38	36	14		
3	57	51	46	41	51	46	41	36	33	30	12		
4	53	45	39	35	47	40	36	32	28	26	10		
5	48	40	34	30	43	36	31	28	25	22	9		
6	44	36	30	26	39	32	27	25	22	19	8		
7	41	32	27	23	36	29	24	23	19	17	7		
8	38	29	24	20	34	26	22	21	17	15	7		
9	35	27	21	18	31	24	19	19	16	13	6		
10	33	24	19	16	29	22	17	18	14	12	5		

Based on a floor reflectance of 0.2

Avg. Luminance (cd/m²)

Vertical Angle	Horizontal Angle		
	0	45	90
55	2039	1310	1165
65	1302	982	862
75	1008	715	621
85	1029	629	562

IES files for this and other photometric options can be downloaded online at www.ledalite.com

Additional Information

Modules

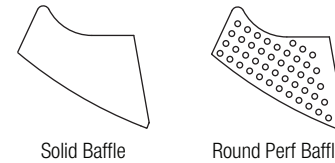
Module length excludes endcaps.
Nominal mount spacing for individually mounted modules.

Module	Mount Spacing
4ft	4' 0"
8ft	8' 0"
12ft	12' 0"

Endcap



Lower Optics



Upper Optics



Specifications

Due to continuing product improvements, Ledalite reserves the right to change specifications without notice.

Housing

Die-formed 20 gauge cold-rolled steel.

Weight

3.0 lb/ft.

Optical System

Direct/Indirect: Constructed of 96% reflective white steel to produce a direct/indirect distribution. Baffles are white blades spaced 2-7/16" apart and are 3/4" deep (18 cells per 4ft section). Perforation of baffles and housing is optional. Perforated housing options include acrylic overlay. Optional field-installable Variable Optics kits provide additional downlight as required.

Semi-Indirect: Constructed of 96% reflective white steel with perforated housing and acrylic overlay to produce a semi-indirect distribution. Perforated housing available in round or slot perforation patterns.

Indirect: Constructed of 96% reflective white steel to produce an indirect distribution.

High performance options use additional highly-specular aluminum reflectors.

Endcaps

Die-cast endcap or optional die-cast sculptured endcap.

Joints

Self-aligning joining system with hands-free pre-joining wire access.

Mounting

Aircraft cable gripper is tamper-resistant and provides infinite vertical adjustment capability. Aircraft cable, crimp and cable gripper independently tested to meet stringent safety requirements.

Electrical

Factory pre-wired to section ends with quick-wire connectors.

Ballast

Electronic.

Approvals

Certified to UL and CSA standards.

Finish

High-quality powder coat. Available in Ledalite Standard White (textured matte finish), and a selection of other factory and customer-specified colors. Consult factory for details.