

# Centris®



Suspended  
 Direct/Indirect (High Performance)  
 3 T5HO - Perf Housing



Project Name

Spec Type

Notes



## Order Guide

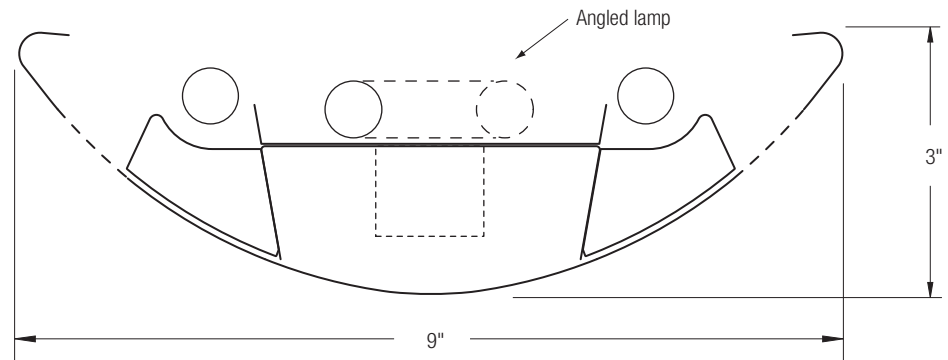
Some combinations of product options may not be available. Consult factory for assistance with your specification.

<b>9507</b>	<b>H03</b>			-		-		-	
Product Series & Type Centris Direct/Indirect (High Performance)	Lamping 3 T5HO	Lower Optics <b>M</b> Round Perf Housing / Solid Baffle <b>T</b> Round Perf Housing / Round Perf Baffle <b>U</b> Slot Perf Housing / Solid Baffle <b>Z</b> Slot Perf Housing / Round Perf Baffle  See details on reverse	Upper Optics <b>N</b> None <b>D</b> Down Kit <b>Y</b> Lamp Separator  See details on reverse	Run Length <i>Enter the total run length in feet (4ft increments)</i>  See details on reverse	Wiring <b>1</b> 1 cct <b>2</b> 2 cct <b>3</b> 1 cct w/ Emergency cct <b>4</b> 2 cct w/ Emergency cct <b>5</b> 1 cct w/ Battery Pack <b>6</b> 2 cct w/ Battery Pack <b>7</b> 1 cct Dimming  Consult website for complete list of standard wiring options	Voltage <b>1</b> 120V <b>2</b> 277V <b>3</b> 347V	Ballast <b>E</b> Standard Ballast  Consult website for ballast manufacturer information	Color & Finish <b>W</b> Standard White <b>C</b> Factory Color <b>X</b> Custom Color  Consult website for color and finish options	
<h3>Mounting Hardware</h3>									
Mount Type				Suspension Length					
Consult separate mounting spec sheet for mount type options				Enter distance from ceiling to top of fixture in inches					

## Upgrades & Accessories

Please indicate with check mark.

<input type="checkbox"/> Lamps Included	<input checked="" type="checkbox"/> Lamps Included and Installed
<input type="checkbox"/> Sculptured Endcap See details on reverse	
<input type="checkbox"/> Response Daylight (Integrated Controls) For details visit <a href="http://www.ledalite.com/response">www.ledalite.com/response</a>	



# Centris®

Suspended  
Direct/Indirect (High Performance)  
3 T5HO - Perf Housing



## Photometry Optics ZY Slot Perf Housing / Round Perf Baffle w/ Lamp Separator

### Report Summary

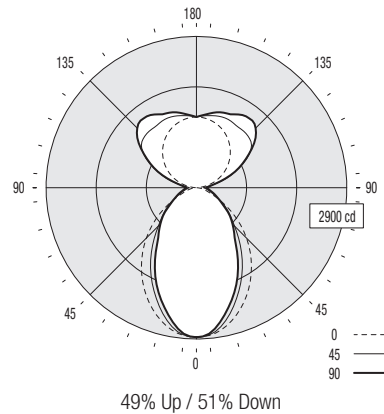
Report # 2101785  
Filename 9507H03UY-ZY.ies  
Efficiency 66.9%

Peak Candela Value\* 1679 @ 140°  
Peak to Zenith Ratio\* 1.2 : 1

\* Between 90-180° vertical angle

### Candela Distribution

Vertical Angle	Horizontal Angle					Zonal Lumens
	0	22.5	45	67.5	90	
0	2867	2867	2867	2867	2867	268
5	2843	2836	2832	2794	2811	698
15	2638	2593	2501	2364	2379	930
25	2286	2163	2020	1857	1877	953
35	1850	1673	1515	1325	1323	845
45	1367	1199	1038	958	983	653
55	855	764	719	661	678	433
65	396	441	437	425	449	267
75	171	202	266	285	308	165
85	45	98	171	201	222	202
90	6	77	137	175	188	493
95	62	133	191	218	238	822
105	289	485	518	464	481	1015
115	522	813	920	886	907	1028
125	734	969	1285	1295	1304	881
135	923	1093	1404	1575	1614	656
145	1085	1228	1414	1613	1670	401
155	1214	1311	1446	1522	1553	135
165	1302	1354	1427	1482	1496	
175	1350	1363	1382	1395	1396	
180	1356	1356	1356	1356	1356	



### Coefficients of Utilization (%)

Ceiling: Wall:	80				70				50				0				
	70	50	30	10	70	50	30	10	50	30	10	0	70	50	30	10	0
0 RCR	71	71	71	71	65	65	65	55	55	55	32	65	65	65	55	55	32
1	65	62	59	57	60	57	55	48	46	45	27	60	57	55	48	46	27
2	59	55	51	47	54	50	47	42	40	38	23	54	50	47	42	40	23
3	54	48	43	40	50	45	40	38	35	32	20	50	45	40	38	35	20
4	50	43	38	34	46	40	35	34	30	28	17	46	40	35	34	30	17
5	46	38	33	29	42	36	31	30	27	24	15	42	36	31	30	27	15
6	42	35	29	26	39	32	27	28	24	21	14	39	32	27	28	24	14
7	39	31	26	23	36	29	25	25	21	19	12	36	29	25	25	21	12
8	37	29	23	20	34	27	22	23	19	17	11	34	27	22	23	19	11
9	34	26	21	18	31	24	20	21	18	15	10	31	24	20	21	18	10
10	32	24	19	16	29	22	18	19	16	14	9	29	22	18	19	16	9

Based on a floor reflectance of 0.2

### Avg. Luminance (cd/m²)

Vertical Angle	Horizontal Angle		
	0	45	90
55	6076	3737	3171
65	3819	2717	2433
75	2693	2138	2058
85	2104	2030	2013

IES files for this and other photometric options can be downloaded online at [www.ledalite.com](http://www.ledalite.com)

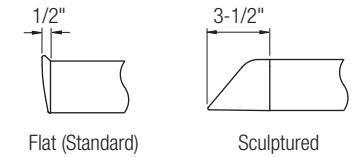
## Additional Information

### Modules

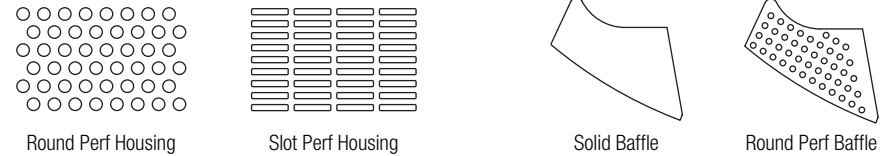
Module length excludes endcaps.  
Nominal mount spacing for individually mounted modules.

Module	Mount Spacing
4ft	4' 0"
8ft	8' 0"
12ft	12' 0"

### Endcap



### Lower Optics



### Upper Optics



## Specifications

Due to continuing product improvements, Ledalite reserves the right to change specifications without notice.

### Housing

Die-formed 20 gauge cold-rolled steel.

### Weight

3.0 lb/ft.

### Optical System

Direct/Indirect: Constructed of 96% reflective white steel to produce a direct/indirect distribution. Baffles are white blades spaced 2-7/16" apart and are 3/4" deep (18 cells per 4ft section). Perforation of baffles and housing is optional. Perforated housing options include acrylic overlay. Optional field-installable Variable Optics kits provide additional downlight as required.

Semi-Indirect: Constructed of 96% reflective white steel with perforated housing and acrylic overlay to produce a semi-indirect distribution. Perforated housing available in round or slot perforation patterns.

Indirect: Constructed of 96% reflective white steel to produce an indirect distribution.

High performance options use additional highly-specular aluminum reflectors.

### Endcaps

Die-cast endcap or optional die-cast sculptured endcap.

### Joints

Self-aligning joining system with hands-free pre-joining wire access.

### Mounting

Aircraft cable gripper is tamper-resistant and provides infinite vertical adjustment capability. Aircraft cable, crimp and cable gripper independently tested to meet stringent safety requirements.

### Electrical

Factory pre-wired to section ends with quick-wire connectors.

### Ballast

Electronic.

### Approvals

Certified to UL and CSA standards.

### Finish

High-quality powder coat. Available in Ledalite Standard White (textured matte finish), and a selection of other factory and customer-specified colors. Consult factory for details.