

# Centris®



Suspended  
 Direct/Indirect (High Performance)  
 3 T5HO - Perf Housing



Project Name

Spec Type

Notes



## Order Guide

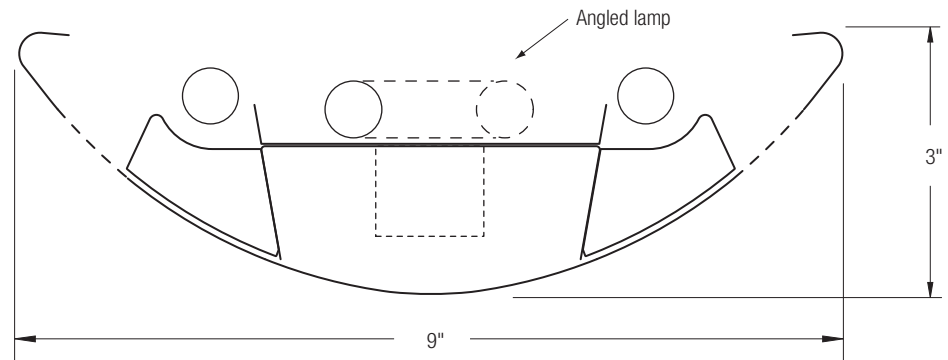
Some combinations of product options may not be available. Consult factory for assistance with your specification.

<b>9507</b>	<b>H03</b>			-		-		-	
<b>Product Series &amp; Type</b> Centris Direct/Indirect (High Performance)	<b>Lamping</b> 3 T5HO	<b>Lower Optics</b> <b>M</b> Round Perf Housing / Solid Baffle <b>T</b> Round Perf Housing / Round Perf Baffle <b>U</b> Slot Perf Housing / Solid Baffle <b>Z</b> Slot Perf Housing / Round Perf Baffle  See details on reverse	<b>Upper Optics</b> <b>N</b> None <b>D</b> Down Kit <b>Y</b> Lamp Separator  See details on reverse	<b>Run Length</b> <i>Enter the total run length in feet (4ft increments)</i>  See details on reverse	<b>Wiring</b> <b>1</b> 1 cct <b>2</b> 2 cct <b>3</b> 1 cct w/ Emergency cct <b>4</b> 2 cct w/ Emergency cct <b>5</b> 1 cct w/ Battery Pack <b>6</b> 2 cct w/ Battery Pack <b>7</b> 1 cct Dimming  Consult website for complete list of standard wiring options	<b>Voltage</b> <b>1</b> 120V <b>2</b> 277V <b>3</b> 347V	<b>Ballast</b> <b>E</b> Standard Ballast  Consult website for ballast manufacturer information	<b>Color &amp; Finish</b> <b>W</b> Standard White <b>C</b> Factory Color <b>X</b> Custom Color  Consult website for color and finish options	
<b>Mounting Hardware</b>									
<b>Mount Type</b> Consult separate mounting spec sheet for mount type options					<b>Suspension Length</b> <i>Enter distance from ceiling to top of fixture in inches</i>				

## Upgrades & Accessories

Please indicate with check mark.

<input type="checkbox"/> Lamps Included	<input checked="" type="checkbox"/> Lamps Included and Installed
<input type="checkbox"/> Sculptured Endcap See details on reverse	
<input type="checkbox"/> Response Daylight (Integrated Controls) For details visit <a href="http://www.ledalite.com/response">www.ledalite.com/response</a>	



# Centris®

Suspended  
Direct/Indirect (High Performance)  
3 T5HO - Perf Housing



## Photometry Optics UN Slot Perf Housing / Solid Baffle

### Report Summary

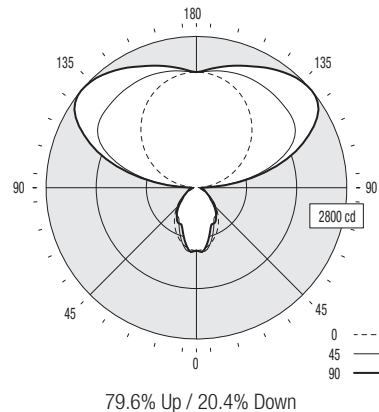
**Report #** 2101665  
**Filename** 9507H03UN-ZN.ies  
**Efficiency** 89.3%

**Peak Candela Value\*** 2801 @ 130°  
**Peak to Zenith Ratio\*** 1.3 : 1

\* Between 90-180° vertical angle

### Candela Distribution

Vertical Angle	Horizontal Angle					Zonal Lumens
	0	22.5	45	67.5	90	
0	1164	1164	1164	1164	1164	
5	1151	1159	1181	1190	1197	112
15	1056	1098	1041	948	924	284
25	900	887	767	717	736	368
35	714	654	627	644	639	405
45	517	457	506	463	453	370
55	319	347	336	289	298	286
65	149	205	197	189	197	190
75	72	84	117	132	143	118
85	23	45	77	91	100	78
90	6	57	73	94	88	
95	135	337	512	434	545	450
105	480	971	1389	1451	1540	1256
115	835	1293	1981	2216	2308	1739
125	1164	1518	2195	2638	2756	1853
135	1463	1729	2231	2653	2778	1688
145	1718	1918	2253	2552	2649	1397
155	1920	2050	2256	2421	2477	1033
165	2058	2121	2223	2307	2333	628
175	2130	2139	2162	2185	2190	211
180	2139	2139	2139	2139	2139	



### Coefficients of Utilization (%)

Ceiling:	80				70				50				0
	70	50	30	10	70	50	30	10	50	30	10	0	
0 RCR	89	89	89	89	78	78	78	58	58	58	15		
1	81	77	74	71	71	68	65	51	49	47	13		
2	74	67	62	58	64	59	55	44	42	39	11		
3	67	59	53	48	59	52	47	39	36	33	9		
4	61	52	46	41	54	46	41	35	31	28	8		
5	56	46	40	35	49	41	35	31	27	24	7		
6	52	41	35	30	45	37	31	28	24	21	6		
7	48	37	31	26	42	33	27	25	21	18	6		
8	44	34	27	23	39	30	24	23	19	16	5		
9	41	31	24	20	36	27	22	21	17	14	5		
10	38	28	22	18	33	25	20	19	15	13	4		

Based on a floor reflectance of 0.2

### Avg. Luminance (cd/m²)

Vertical Angle	Horizontal Angle		
	0	45	90
55	2267	1746	1394
65	1437	1225	1067
75	1134	940	955
85	1076	914	907

IES files for this and other photometric options can be downloaded online at [www.ledalite.com](http://www.ledalite.com)

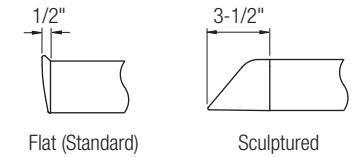
## Additional Information

### Modules

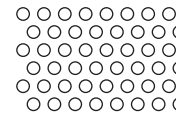
Module length excludes endcaps.  
Nominal mount spacing for individually mounted modules.

Module	Mount Spacing
4ft	4' 0"
8ft	8' 0"
12ft	12' 0"

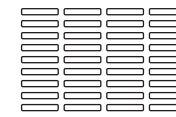
### Endcap



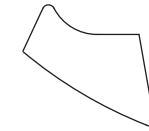
### Lower Optics



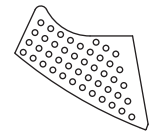
Round Perf Housing



Slot Perf Housing

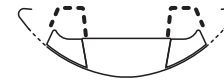


Solid Baffle



Round Perf Baffle

### Upper Optics



D Down Kit



Y Lamp Separator

## Specifications

Due to continuing product improvements, Ledalite reserves the right to change specifications without notice.

### Housing

Die-formed 20 gauge cold-rolled steel.

### Weight

3.0 lb/ft.

### Optical System

Direct/Indirect: Constructed of 96% reflective white steel to produce a direct/indirect distribution. Baffles are white blades spaced 2-7/16" apart and are 3/4" deep (18 cells per 4ft section). Perforation of baffles and housing is optional. Perforated housing options include acrylic overlay. Optional field-installable Variable Optics kits provide additional downlight as required.

Semi-Indirect: Constructed of 96% reflective white steel with perforated housing and acrylic overlay to produce a semi-indirect distribution. Perforated housing available in round or slot perforation patterns.

Indirect: Constructed of 96% reflective white steel to produce an indirect distribution.

High performance options use additional highly-specular aluminum reflectors.

### Endcaps

Die-cast endcap or optional die-cast sculptured endcap.

### Joints

Self-aligning joining system with hands-free pre-joining wire access.

### Mounting

Aircraft cable gripper is tamper-resistant and provides infinite vertical adjustment capability. Aircraft cable, crimp and cable gripper independently tested to meet stringent safety requirements.

### Electrical

Factory pre-wired to section ends with quick-wire connectors.

### Ballast

Electronic.

### Approvals

Certified to UL and CSA standards.

### Finish

High-quality powder coat. Available in Ledalite Standard White (textured matte finish), and a selection of other factory and customer-specified colors. Consult factory for details.