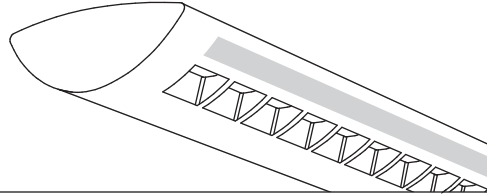


# Centris®



Suspended  
 Direct/Indirect (High Performance)  
 3 T5HO - Perf Housing



Project Name

Spec Type

Notes



## Order Guide

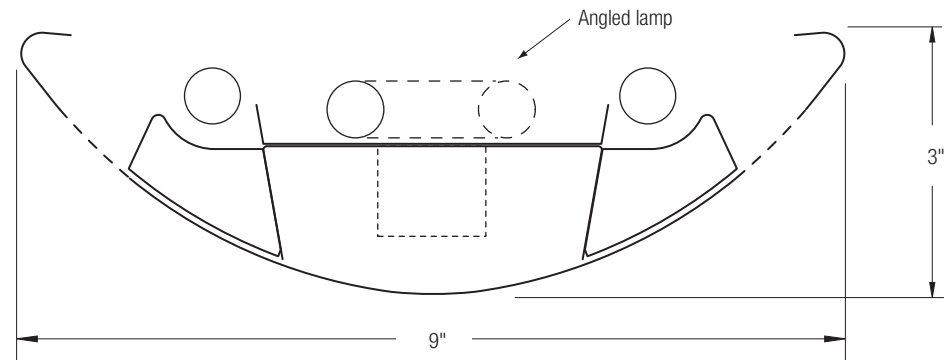
Some combinations of product options may not be available. Consult factory for assistance with your specification.

|  |                          |   |  |   |   |   |   |   |  |  |
|--|--------------------------|---|--|---|---|---|---|---|--|--|
| <b>9507</b>  | <b>H03</b>               |   |  | -   |   | -   |   | -   |  |  |
| <b>Product Series &amp; Type</b><br>Centris Direct/Indirect (High Performance) | <b>Lamping</b><br>3 T5HO | <b>Lower Optics</b><br><b>M</b> Round Perf Housing / Solid Baffle<br><b>T</b> Round Perf Housing / Round Perf Baffle<br><b>U</b> Slot Perf Housing / Solid Baffle<br><b>Z</b> Slot Perf Housing / Round Perf Baffle | <b>Upper Optics</b><br><b>N</b> None<br><b>D</b> Down Kit<br><b>Y</b> Lamp Separator | <b>Run Length</b><br><i>Enter the total run length in feet (4ft increments)</i> | <b>Wiring</b><br><b>1</b> 1 cct<br><b>2</b> 2 cct<br><b>3</b> 1 cct w/ Emergency cct<br><b>4</b> 2 cct w/ Emergency cct<br><b>5</b> 1 cct w/ Battery Pack<br><b>6</b> 2 cct w/ Battery Pack<br><b>7</b> 1 cct Dimming | <b>Voltage</b><br><b>1</b> 120V<br><b>2</b> 277V<br><b>3</b> 347V | <b>Ballast</b><br><b>E</b> Standard Ballast<br><br>Consult website for ballast manufacturer information | <b>Color &amp; Finish</b><br><b>W</b> Standard White<br><b>C</b> Factory Color<br><b>X</b> Custom Color<br><br>Consult website for color and finish options |  |  |
|  |                          |   |  |   |   |   |   |   | <b>Mounting Hardware</b>   |  |
|  |                          |   |  |   |   |   |   |   | <input type="text"/>   | <input type="text"/>   |
|  |                          |   |  |   |   |   |   |   | <b>Mount Type</b><br>Consult separate mounting spec sheet for mount type options | <b>Suspension Length</b><br><i>Enter distance from ceiling to top of fixture in inches</i> |
|  |                          | See details on reverse  | See details on reverse   | See details on reverse  | Consult website for complete list of standard wiring options  |   |   |   |  |  |

## Upgrades & Accessories

Please indicate with check mark.

|  |  |
|--|--|
| <input type="checkbox"/> Lamps Included  | <input checked="" type="checkbox"/> Lamps Included and Installed |
| <input type="checkbox"/> Sculptured Endcap<br>See details on reverse   |  |
| <input type="checkbox"/> Response Daylight (Integrated Controls)<br>For details visit <a href="http://www.ledalite.com/response">www.ledalite.com/response</a> |  |



# Centris®

Suspended  
Direct/Indirect (High Performance)  
3 T5HO - Perf Housing



## Photometry Optics TY Round Perf Housing / Round Perf Baffle w/ Lamp Separator

### Report Summary

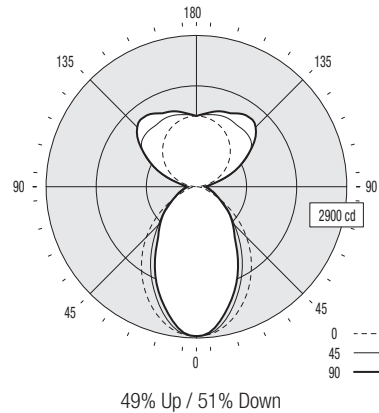
Report # 2101785  
Filename 9507H03MY-TY.ies  
Efficiency 66.9%

Peak Candela Value\* 1679 @ 140°  
Peak to Zenith Ratio\* 1.2 : 1

\* Between 90-180° vertical angle

### Candela Distribution

| Vertical Angle | Horizontal Angle |      |      |      |      | Zonal Lumens |
|----------------|------------------|------|------|------|------|--------------|
|                | 0                | 22.5 | 45   | 67.5 | 90   |              |
| 0              | 2867             | 2867 | 2867 | 2867 | 2867 |              |
| 5              | 2843             | 2836 | 2832 | 2794 | 2811 | 268          |
| 15             | 2638             | 2593 | 2501 | 2364 | 2379 | 698          |
| 25             | 2286             | 2163 | 2020 | 1857 | 1877 | 930          |
| 35             | 1850             | 1673 | 1515 | 1325 | 1323 | 953          |
| 45             | 1367             | 1199 | 1038 | 958  | 983  | 845          |
| 55             | 855              | 764  | 719  | 661  | 678  | 653          |
| 65             | 396              | 441  | 437  | 425  | 449  | 433          |
| 75             | 171              | 202  | 266  | 285  | 308  | 267          |
| 85             | 45               | 98   | 171  | 201  | 222  | 165          |
| 90             | 6                | 77   | 137  | 175  | 188  |              |
| 95             | 62               | 133  | 191  | 218  | 238  | 202          |
| 105            | 289              | 485  | 518  | 464  | 481  | 493          |
| 115            | 522              | 813  | 920  | 886  | 907  | 822          |
| 125            | 734              | 969  | 1285 | 1295 | 1304 | 1015         |
| 135            | 923              | 1093 | 1404 | 1575 | 1614 | 1028         |
| 145            | 1085             | 1228 | 1414 | 1613 | 1670 | 881          |
| 155            | 1214             | 1311 | 1446 | 1522 | 1553 | 656          |
| 165            | 1302             | 1354 | 1427 | 1482 | 1496 | 401          |
| 175            | 1350             | 1363 | 1382 | 1395 | 1396 | 135          |
| 180            | 1356             | 1356 | 1356 | 1356 | 1356 |              |



### Coefficients of Utilization (%)

| Ceiling: Wall: | 80 |    |    |    | 70 |    |    |    | 50 |    |    |   | 0  |    |    |    |   |
|----------------|----|----|----|----|----|----|----|----|----|----|----|---|----|----|----|----|---|
|                | 70 | 50 | 30 | 10 | 70 | 50 | 30 | 10 | 50 | 30 | 10 | 0 | 70 | 50 | 30 | 10 | 0 |
| 0 RCR          | 71 | 71 | 71 | 71 | 65 | 65 | 65 | 55 | 55 | 55 | 32 |   |    |    |    |    |   |
| 1              | 65 | 62 | 59 | 57 | 60 | 57 | 55 | 48 | 46 | 45 | 27 |   |    |    |    |    |   |
| 2              | 59 | 55 | 51 | 47 | 54 | 50 | 47 | 42 | 40 | 38 | 23 |   |    |    |    |    |   |
| 3              | 54 | 48 | 43 | 40 | 50 | 45 | 40 | 38 | 35 | 32 | 20 |   |    |    |    |    |   |
| 4              | 50 | 43 | 38 | 34 | 46 | 40 | 35 | 34 | 30 | 28 | 17 |   |    |    |    |    |   |
| 5              | 46 | 38 | 33 | 29 | 42 | 36 | 31 | 30 | 27 | 24 | 15 |   |    |    |    |    |   |
| 6              | 42 | 35 | 29 | 26 | 39 | 32 | 27 | 28 | 24 | 21 | 14 |   |    |    |    |    |   |
| 7              | 39 | 31 | 26 | 23 | 36 | 29 | 25 | 25 | 21 | 19 | 12 |   |    |    |    |    |   |
| 8              | 37 | 29 | 23 | 20 | 34 | 27 | 22 | 23 | 19 | 17 | 11 |   |    |    |    |    |   |
| 9              | 34 | 26 | 21 | 18 | 31 | 24 | 20 | 21 | 18 | 15 | 10 |   |    |    |    |    |   |
| 10             | 32 | 24 | 19 | 16 | 29 | 22 | 18 | 19 | 16 | 14 | 9  |   |    |    |    |    |   |

Based on a floor reflectance of 0.2

### Avg. Luminance (cd/m²)

| Vertical Angle | Horizontal Angle |      |      |
|----------------|------------------|------|------|
|                | 0                | 45   | 90   |
| 55             | 6076             | 3737 | 3171 |
| 65             | 3819             | 2717 | 2433 |
| 75             | 2693             | 2138 | 2058 |
| 85             | 2104             | 2030 | 2013 |

IES files for this and other photometric options can be downloaded online at [www.ledalite.com](http://www.ledalite.com)

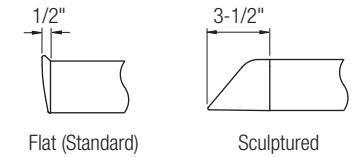
## Additional Information

### Modules

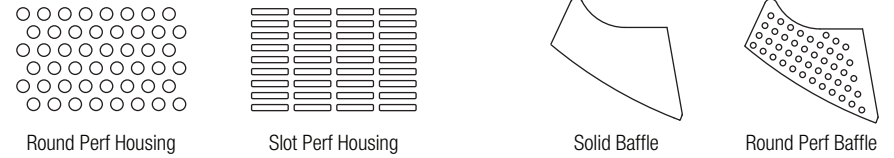
Module length excludes endcaps.  
Nominal mount spacing for individually mounted modules.

| Module | Mount Spacing |
|--------|---------------|
| 4ft    | 4' 0"         |
| 8ft    | 8' 0"         |
| 12ft   | 12' 0"        |

### Endcap



### Lower Optics



### Upper Optics



## Specifications

Due to continuing product improvements, Ledalite reserves the right to change specifications without notice.

### Housing

Die-formed 20 gauge cold-rolled steel.

### Weight

3.0 lb/ft.

### Optical System

Direct/Indirect: Constructed of 96% reflective white steel to produce a direct/indirect distribution. Baffles are white blades spaced 2-7/16" apart and are 3/4" deep (18 cells per 4ft section). Perforation of baffles and housing is optional. Perforated housing options include acrylic overlay. Optional field-installable Variable Optics kits provide additional downlight as required.

Semi-Indirect: Constructed of 96% reflective white steel with perforated housing and acrylic overlay to produce a semi-indirect distribution. Perforated housing available in round or slot perforation patterns.

Indirect: Constructed of 96% reflective white steel to produce an indirect distribution.

High performance options use additional highly-specular aluminum reflectors.

### Endcaps

Die-cast endcap or optional die-cast sculptured endcap.

### Joints

Self-aligning joining system with hands-free pre-joining wire access.

### Mounting

Aircraft cable gripper is tamper-resistant and provides infinite vertical adjustment capability. Aircraft cable, crimp and cable gripper independently tested to meet stringent safety requirements.

### Electrical

Factory pre-wired to section ends with quick-wire connectors.

### Ballast

Electronic.

### Approvals

Certified to UL and CSA standards.

### Finish

High-quality powder coat. Available in Ledalite Standard White (textured matte finish), and a selection of other factory and customer-specified colors. Consult factory for details.