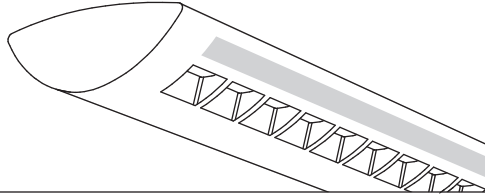


# Centris®



Suspended  
 Direct/Indirect (High Performance)  
 3 T5HO - Perf Housing



Project Name

Spec Type

Notes



## Order Guide

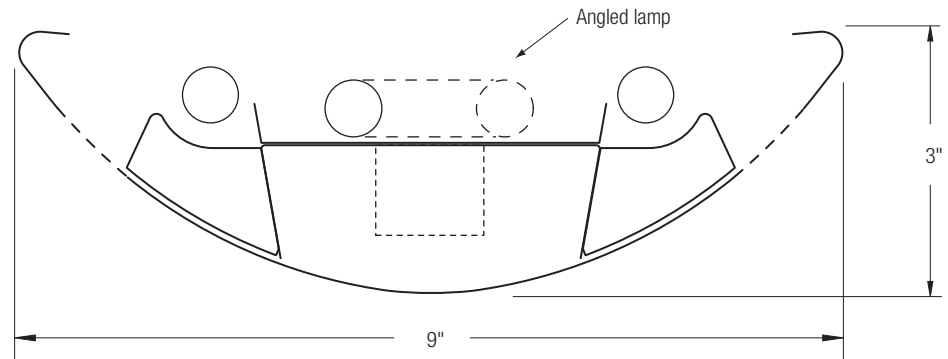
Some combinations of product options may not be available. Consult factory for assistance with your specification.

<b>9507</b>	<b>H03</b>			-		-		-	
<b>Product Series &amp; Type</b> Centris Direct/Indirect (High Performance)	<b>Lamping</b> 3 T5HO	<b>Lower Optics</b> <b>M</b> Round Perf Housing / Solid Baffle <b>T</b> Round Perf Housing / Round Perf Baffle <b>U</b> Slot Perf Housing / Solid Baffle <b>Z</b> Slot Perf Housing / Round Perf Baffle See details on reverse	<b>Upper Optics</b> <b>N</b> None <b>D</b> Down Kit <b>Y</b> Lamp Separator See details on reverse	<b>Run Length</b> Enter the total run length in feet (4ft increments) See details on reverse	<b>Wiring</b> <b>1</b> 1 cct <b>2</b> 2 cct <b>3</b> 1 cct w/ Emergency cct <b>4</b> 2 cct w/ Emergency cct <b>5</b> 1 cct w/ Battery Pack <b>6</b> 2 cct w/ Battery Pack <b>7</b> 1 cct Dimming Consult website for complete list of standard wiring options	<b>Voltage</b> <b>1</b> 120V <b>2</b> 277V <b>3</b> 347V Consult separate mounting spec sheet for mount type options	<b>Ballast</b> <b>E</b> Standard Ballast Consult website for ballast manufacturer information	<b>Color &amp; Finish</b> <b>W</b> Standard White <b>C</b> Factory Color <b>X</b> Custom Color Consult website for color and finish options	
<b>Mounting Hardware</b>									

## Upgrades & Accessories

Please indicate with check mark.

<input type="checkbox"/> Lamps Included	<input checked="" type="checkbox"/> Lamps Included and Installed
<input type="checkbox"/> Sculptured Endcap See details on reverse	
<input type="checkbox"/> Response Daylight (Integrated Controls) For details visit <a href="http://www.ledalite.com/response">www.ledalite.com/response</a>	



# Centris®

Suspended  
Direct/Indirect (High Performance)  
3 T5HO - Perf Housing



## Photometry Optics TD Round Perf Housing / Round Perf Baffle w/ Down Kit

### Report Summary

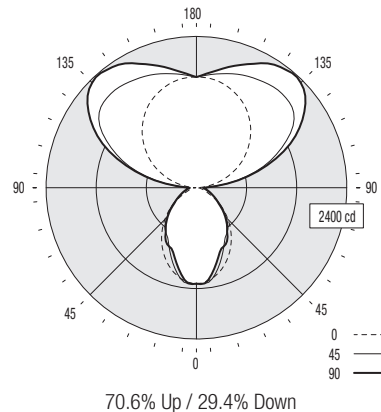
Report # 9900018  
Filename 9507H03MD-TD.ies  
Efficiency 82%

Peak Candela Value\* 2378 @ 138°  
Peak to Zenith Ratio\* 1.4 : 1

\* Between 90-180° vertical angle

### Candela Distribution

Vertical Angle	Horizontal Angle					Zonal Lumens
	0	22.5	45	67.5	90	
0	1522	1522	1522	1522	1522	
5	1506	1514	1526	1520	1523	144
15	1392	1407	1326	1240	1235	369
25	1203	1153	1034	1002	1029	496
35	971	877	859	860	853	547
45	714	633	668	645	649	507
55	448	463	465	426	430	404
65	210	281	277	282	294	274
75	102	130	167	184	196	170
85	32	65	106	128	138	107
90	9	56	97	132	128	
95	98	253	325	358	325	330
105	388	767	970	1012	1015	907
115	695	1158	1504	1639	1654	1349
125	971	1385	1903	2085	2103	1540
135	1226	1530	2018	2307	2354	1474
145	1435	1658	2005	2274	2337	1227
155	1592	1733	1950	2112	2169	889
165	1701	1771	1874	1956	1983	528
175	1752	1766	1792	1811	1817	176
180	1756	1756	1756	1756	1756	



### Coefficients of Utilization (%)

Ceiling: Wall:	80				70				50				0				
	70	50	30	10	70	50	30	10	50	30	10	0	70	50	30	10	0
0 RCR	83	83	83	83	74	74	74	57	57	57	21						
1	75	72	69	66	67	64	62	50	48	47	18						
2	69	63	58	54	61	56	52	44	41	39	15						
3	63	55	50	45	56	50	45	39	35	33	13						
4	57	49	43	38	51	44	39	34	31	28	11						
5	53	44	37	33	47	39	34	31	27	24	10						
6	48	39	33	28	43	35	30	28	24	21	9						
7	45	35	29	25	40	32	26	25	21	18	8						
8	41	32	26	22	37	29	23	23	19	16	7						
9	38	29	23	19	34	26	21	21	17	14	6						
10	36	26	21	17	32	24	19	19	15	13	6						

Based on a floor reflectance of 0.2

### Avg. Luminance (cd/m<sup>2</sup>)

Vertical Angle	Horizontal Angle		
	0	45	90
55	3183	2417	2011
65	2025	1722	1593
75	1606	1342	1309
85	1496	1258	1252

IES files for this and other photometric options can be downloaded online at [www.ledalite.com](http://www.ledalite.com)

## Additional Information

### Modules

Module length excludes endcaps.  
Nominal mount spacing for individually mounted modules.

Module	Mount Spacing
4ft	4' 0"
8ft	8' 0"
12ft	12' 0"

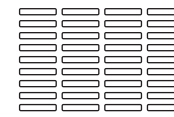
### Endcap



### Lower Optics



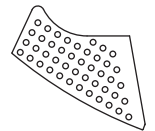
Round Perf Housing



Slot Perf Housing



Solid Baffle

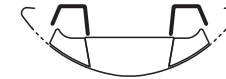


Round Perf Baffle

### Upper Optics



D Down Kit



Y Lamp Separator

## Specifications

Due to continuing product improvements, Ledalite reserves the right to change specifications without notice.

### Housing

Die-formed 20 gauge cold-rolled steel.

### Weight

3.0 lb/ft.

### Optical System

Direct/Indirect: Constructed of 96% reflective white steel to produce a direct/indirect distribution. Baffles are white blades spaced 2-7/16" apart and are 3/4" deep (18 cells per 4ft section). Perforation of baffles and housing is optional. Perforated housing options include acrylic overlay. Optional field-installable Variable Optics kits provide additional downlight as required.

Semi-Indirect: Constructed of 96% reflective white steel with perforated housing and acrylic overlay to produce a semi-indirect distribution. Perforated housing available in round or slot perforation patterns.

Indirect: Constructed of 96% reflective white steel to produce an indirect distribution.

High performance options use additional highly-specular aluminum reflectors.

### Endcaps

Die-cast endcap or optional die-cast sculptured endcap.

### Joints

Self-aligning joining system with hands-free pre-joining wire access.

### Mounting

Aircraft cable gripper is tamper-resistant and provides infinite vertical adjustment capability. Aircraft cable, crimp and cable gripper independently tested to meet stringent safety requirements.

### Electrical

Factory pre-wired to section ends with quick-wire connectors.

### Ballast

Electronic.

### Approvals

Certified to UL and CSA standards.

### Finish

High-quality powder coat. Available in Ledalite Standard White (textured matte finish), and a selection of other factory and customer-specified colors. Consult factory for details.