

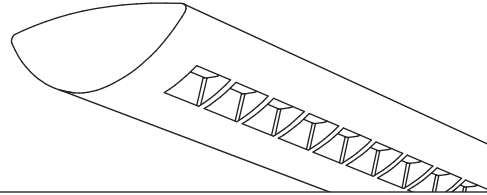
# Centris®



Suspended

Direct/Indirect (High Performance)

3 T5HO - Solid Housing



Project Name

Spec Type

Notes

## Order Guide

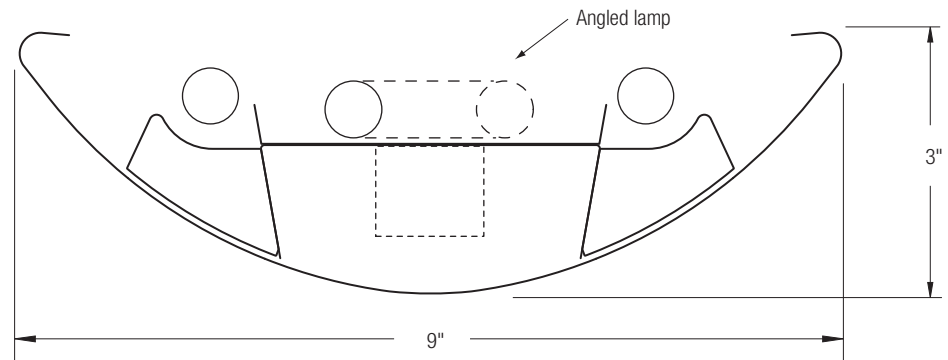
Some combinations of product options may not be available. Consult factory for assistance with your specification.

<b>9507</b>	<b>H03</b>			-		-		-	
Product Series & Type Centris Direct/Indirect (High Performance)	Lamping 3 T5HO	Lower Optics <b>C</b> Solid Baffle <b>R</b> Round Perf Baffle	Upper Optics <b>N</b> None <b>D</b> Down Kit <b>Y</b> Lamp Separator	Run Length <i>Enter the total run length in feet (4ft increments)</i>	Wiring <b>1</b> 1 cct <b>2</b> 2 cct <b>3</b> 1 cct w/ Emergency cct <b>4</b> 2 cct w/ Emergency cct <b>5</b> 1 cct w/ Battery Pack <b>6</b> 2 cct w/ Battery Pack <b>7</b> 1 cct Dimming	Voltage <b>1</b> 120V <b>2</b> 277V <b>3</b> 347V	Ballast <b>E</b> Standard Ballast  Consult website for ballast manufacturer information	Color & Finish <b>W</b> Standard White <b>C</b> Factory Color <b>X</b> Custom Color  Consult website for color and finish options	
<h3>Mounting Hardware</h3>									
Mount Type					Suspension Length				
Consult separate mounting spec sheet for mount type options					Enter distance from ceiling to top of fixture in inches				

## Upgrades & Accessories

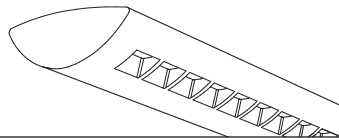
Please indicate with check mark.

<input type="checkbox"/> Lamps Included	<input checked="" type="checkbox"/> Lamps Included and Installed
<input type="checkbox"/> Sculptured Endcap See details on reverse	
<input type="checkbox"/> Response Daylight (Integrated Controls) For details visit <a href="http://www.ledalite.com/response">www.ledalite.com/response</a>	



# Centris®

Suspended  
Direct/Indirect (High Performance)  
3 T5HO - Solid Housing



## Photometry Optics RY Round Perf Baffle w/ Lamp Separator

### Report Summary

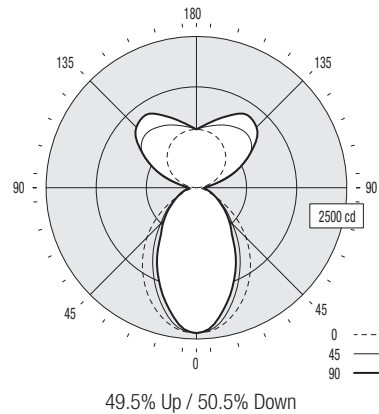
Report # 9900020  
Filename 9507H03CY-RY.ies  
Efficiency 64.5%

Peak Candela Value\* 1469 @ 145°  
Peak to Zenith Ratio\* 1.5 : 1

\* Between 90-180° vertical angle

### Candela Distribution

Vertical Angle	Horizontal Angle					Zonal Lumens
	0	22.5	45	67.5	90	
0	2402	2402	2402	2402	2402	
5	2385	2377	2371	2350	2348	227
15	2218	2173	2083	1990	1965	584
25	1928	1804	1666	1555	1532	776
35	1567	1396	1248	1109	1068	791
45	1165	996	845	772	764	690
55	738	634	566	525	521	528
65	346	361	343	337	345	347
75	152	167	205	215	220	207
85	44	84	126	142	148	125
90	8	65	106	124	130	
95	54	127	164	178	184	171
105	221	440	463	422	412	435
115	396	696	812	797	801	716
125	555	825	1119	1164	1153	880
135	691	890	1218	1375	1413	874
145	800	947	1202	1409	1469	733
155	882	980	1141	1266	1319	520
165	936	989	1064	1124	1149	301
175	960	975	996	1007	1015	98
180	963	963	963	963	963	



### Coefficients of Utilization (%)

Ceiling:	80				70				50				0				
	70	50	30	10	70	50	30	10	50	30	10	0	70	50	30	10	0
0 RCR	68	68	68	68	63	63	63	52	52	52	30						
1	63	60	57	55	57	55	53	46	45	43	26						
2	57	53	49	46	52	48	45	41	38	36	22						
3	52	47	42	38	48	43	39	36	33	31	19						
4	48	41	36	33	44	38	34	33	29	27	17						
5	44	37	32	28	41	34	30	29	26	23	15						
6	41	33	28	25	38	31	27	27	23	20	13						
7	38	30	25	22	35	28	24	24	21	18	12						
8	35	28	23	19	32	26	21	22	19	16	11						
9	33	25	21	17	30	24	19	20	17	15	10						
10	31	23	19	16	28	22	18	19	16	13	9						

Based on a floor reflectance of 0.2

### Avg. Luminance (cd/m<sup>2</sup>)

Vertical Angle	Horizontal Angle		
	0	45	90
55	5244	2942	2437
65	3337	2132	1869
75	2394	1647	1470
85	2058	1496	1342

IES files for this and other photometric options can be downloaded online at [www.ledalite.com](http://www.ledalite.com)

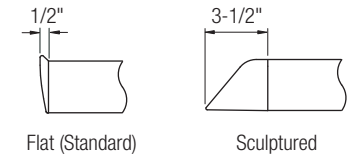
## Additional Information

### Modules

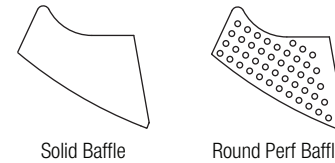
Module length excludes endcaps.  
Nominal mount spacing for individually mounted modules.

Module	Mount Spacing
4ft	4' 0"
8ft	8' 0"
12ft	12' 0"

### Endcap



### Lower Optics



### Upper Optics



## Specifications

Due to continuing product improvements, Ledalite reserves the right to change specifications without notice.

### Housing

Die-formed 20 gauge cold-rolled steel.

### Weight

3.0 lb/ft.

### Optical System

Direct/Indirect: Constructed of 96% reflective white steel to produce a direct/indirect distribution. Baffles are white blades spaced 2-7/16" apart and are 3/4" deep (18 cells per 4ft section). Perforation of baffles and housing is optional. Perforated housing options include acrylic overlay. Optional field-installable Variable Optics kits provide additional downlight as required.

Semi-Indirect: Constructed of 96% reflective white steel with perforated housing and acrylic overlay to produce a semi-indirect distribution. Perforated housing available in round or slot perforation patterns.

Indirect: Constructed of 96% reflective white steel to produce an indirect distribution.

High performance options use additional highly-specular aluminum reflectors.

### Endcaps

Die-cast endcap or optional die-cast sculptured endcap.

### Joints

Self-aligning joining system with hands-free pre-joining wire access.

### Mounting

Aircraft cable gripper is tamper-resistant and provides infinite vertical adjustment capability. Aircraft cable, crimp and cable gripper independently tested to meet stringent safety requirements.

### Electrical

Factory pre-wired to section ends with quick-wire connectors.

### Ballast

Electronic.

### Approvals

Certified to UL and CSA standards.

### Finish

High-quality powder coat. Available in Ledalite Standard White (textured matte finish), and a selection of other factory and customer-specified colors. Consult factory for details.