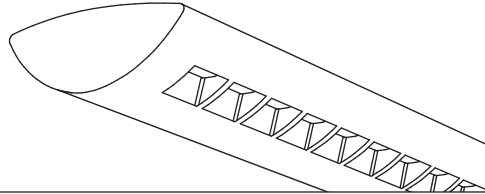


Centris®



Suspended
 Direct/Indirect (High Performance)
 3 T5HO - Solid Housing



Project Name

Spec Type

Notes



Order Guide

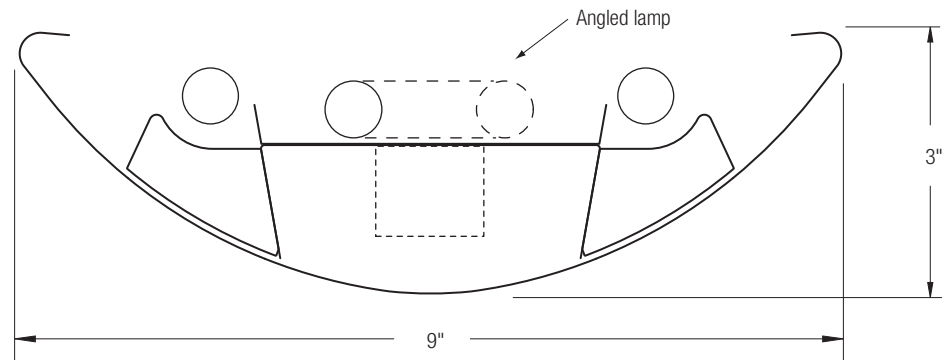
Some combinations of product options may not be available. Consult factory for assistance with your specification.

9507	H03	<input type="text"/>	<input type="text"/>	-	<input type="text"/>	-	<input type="text"/>	-	<input type="text"/>	-	<input type="text"/>
Product Series & Type Centris Direct/Indirect (High Performance)	Lamping 3 T5HO	Lower Optics C Solid Baffle R Round Perf Baffle	Upper Optics N None D Down Kit Y Lamp Separator	Run Length <i>Enter the total run length in feet (4ft increments)</i>	Wiring 1 1 cct 2 2 cct 3 1 cct w/ Emergency cct 4 2 cct w/ Emergency cct 5 1 cct w/ Battery Pack 6 2 cct w/ Battery Pack 7 1 cct Dimming	Voltage 1 120V 2 277V 3 347V	Ballast E Standard Ballast Consult website for ballast manufacturer information	Color & Finish W Standard White C Factory Color X Custom Color Consult website for color and finish options			
Mounting Hardware											
<input type="text"/>						<input type="text"/>					
Mount Type Consult separate mounting spec sheet for mount type options						Suspension Length <i>Enter distance from ceiling to top of fixture in inches</i>					

Upgrades & Accessories

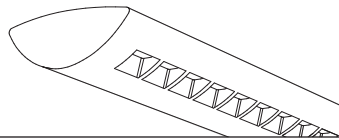
Please indicate with check mark.

<input type="checkbox"/> Lamps Included	<input checked="" type="checkbox"/> Lamps Included and Installed
<input type="checkbox"/> Sculptured Endcap See details on reverse	
<input type="checkbox"/> Response Daylight (Integrated Controls) For details visit www.ledalite.com/response	



Centris®

Suspended
Direct/Indirect (High Performance)
3 T5HO - Solid Housing



Photometry Optics RN Round Perf Baffle

Report Summary

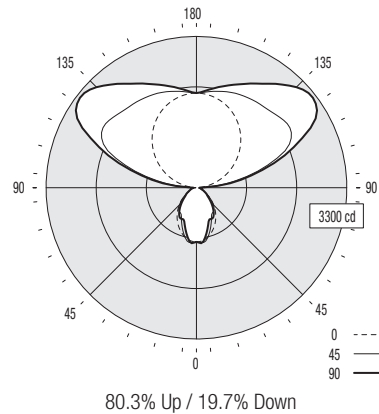
Report # 2101629
Filename 9507H03CN-RN.ies
Efficiency 92.5%

Peak Candela Value* 3223 @ 128°
Peak to Zenith Ratio* 1.6 : 1

* Between 90-180° vertical angle

Candela Distribution

Vertical Angle	Horizontal Angle					Zonal Lumens
	0	22.5	45	67.5	90	
0	1183	1183	1183	1183	1183	
5	1172	1180	1200	1208	1217	114
15	1081	1122	1058	943	934	288
25	928	910	779	727	752	377
35	740	668	644	659	661	415
45	535	472	525	456	455	375
55	330	371	331	277	286	289
65	154	215	193	180	186	190
75	82	93	111	117	124	114
85	32	50	73	77	80	71
90	11	43	60	67	66	
95	102	325	409	367	468	398
105	411	1118	1394	1410	1498	1279
115	752	1384	2253	2489	2562	1910
125	1075	1551	2434	3039	3197	2040
135	1373	1727	2336	2918	3102	1784
145	1630	1888	2287	2646	2770	1418
155	1835	1998	2243	2436	2498	1024
165	1977	2054	2175	2268	2292	612
175	2054	2066	2093	2117	2119	204
180	2066	2066	2066	2066	2066	



Coefficients of Utilization (%)

Ceiling: Walk:	80				70				50				0
	70	50	30	10	70	50	30	10	50	30	10	0	
0 RCR	92	92	92	92	81	81	81	60	60	60	16		
1	83	80	76	73	73	70	67	52	51	49	13		
2	76	70	64	60	67	61	57	46	43	41	11		
3	69	61	55	50	61	54	49	41	37	34	10		
4	63	54	47	42	55	48	42	36	32	29	8		
5	58	48	41	36	51	42	37	32	28	25	7		
6	53	43	36	31	47	38	32	29	25	22	6		
7	49	39	32	27	43	34	28	26	22	19	6		
8	45	35	28	23	40	31	25	24	19	17	5		
9	42	32	25	21	37	28	22	21	17	15	5		
10	39	29	22	18	34	26	20	20	16	13	4		

Based on a floor reflectance of 0.2

Avg. Luminance (cd/m²)

Vertical Angle	Horizontal Angle		
	0	45	90
55	2345	1720	1338
65	1485	1200	1008
75	1291	892	828
85	1496	867	726

IES files for this and other photometric options can be downloaded online at www.ledalite.com

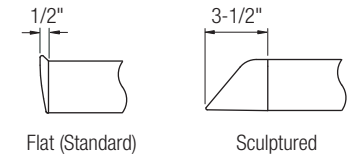
Additional Information

Modules

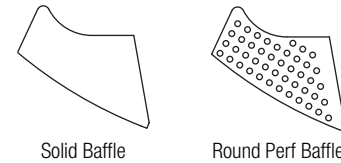
Module length excludes endcaps.
Nominal mount spacing for individually mounted modules.

Module	Mount Spacing
4ft	4' 0"
8ft	8' 0"
12ft	12' 0"

Endcap



Lower Optics



Upper Optics



Specifications

Due to continuing product improvements, Ledalite reserves the right to change specifications without notice.

Housing

Die-formed 20 gauge cold-rolled steel.

Weight

3.0 lb/ft.

Optical System

Direct/Indirect: Constructed of 96% reflective white steel to produce a direct/indirect distribution. Baffles are white blades spaced 2-7/16" apart and are 3/4" deep (18 cells per 4ft section). Perforation of baffles and housing is optional. Perforated housing options include acrylic overlay. Optional field-installable Variable Optics kits provide additional downlight as required.

Semi-Indirect: Constructed of 96% reflective white steel with perforated housing and acrylic overlay to produce a semi-indirect distribution. Perforated housing available in round or slot perforation patterns.

Indirect: Constructed of 96% reflective white steel to produce an indirect distribution.

High performance options use additional highly-specular aluminum reflectors.

Endcaps

Die-cast endcap or optional die-cast sculptured endcap.

Joints

Self-aligning joining system with hands-free pre-joining wire access.

Mounting

Aircraft cable gripper is tamper-resistant and provides infinite vertical adjustment capability. Aircraft cable, crimp and cable gripper independently tested to meet stringent safety requirements.

Electrical

Factory pre-wired to section ends with quick-wire connectors.

Ballast

Electronic.

Approvals

Certified to UL and CSA standards.

Finish

High-quality powder coat. Available in Ledalite Standard White (textured matte finish), and a selection of other factory and customer-specified colors. Consult factory for details.