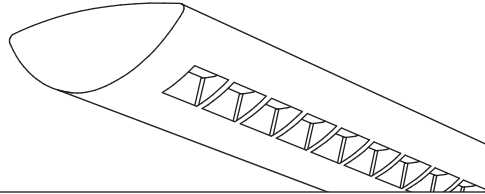


Centris®



Suspended
 Direct/Indirect (High Performance)
 3 T5HO - Solid Housing



Project Name

Spec Type

Notes



Order Guide

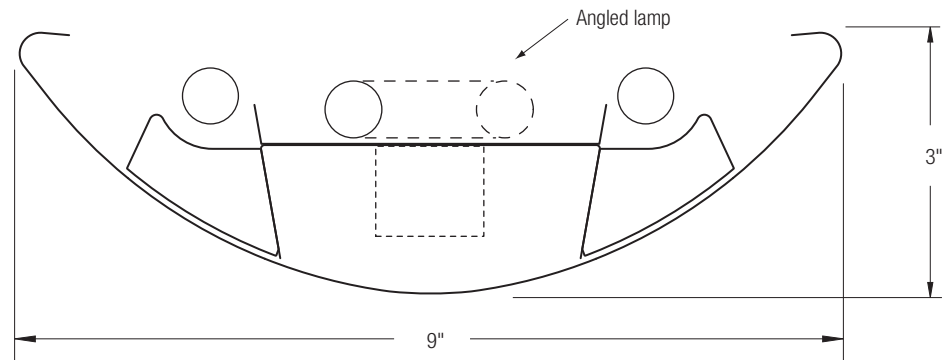
Some combinations of product options may not be available. Consult factory for assistance with your specification.

9507	H03			-		-		-	
Product Series & Type Centris Direct/Indirect (High Performance)	Lamping 3 T5HO	Lower Optics C Solid Baffle R Round Perf Baffle	Upper Optics N None D Down Kit Y Lamp Separator	Run Length <i>Enter the total run length in feet (4ft increments)</i>	Wiring 1 1 cct 2 2 cct 3 1 cct w/ Emergency cct 4 2 cct w/ Emergency cct 5 1 cct w/ Battery Pack 6 2 cct w/ Battery Pack 7 1 cct Dimming	Voltage 1 120V 2 277V 3 347V	Ballast E Standard Ballast Consult website for ballast manufacturer information	Color & Finish W Standard White C Factory Color X Custom Color Consult website for color and finish options	
<h3>Mounting Hardware</h3> <p><input type="text"/> <input type="text"/></p> <p>Mount Type <input type="text"/> Suspension Length <input type="text"/> <i>Enter distance from ceiling to top of fixture in inches</i></p> <p>Consult separate mounting spec sheet for mount type options</p>									

Upgrades & Accessories

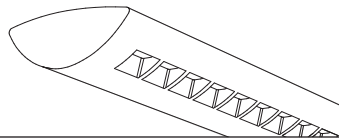
Please indicate with check mark.

<input type="checkbox"/> Lamps Included	<input checked="" type="checkbox"/> Lamps Included and Installed
<input type="checkbox"/> Sculptured Endcap See details on reverse	
<input type="checkbox"/> Response Daylight (Integrated Controls) For details visit www.ledalite.com/response	



Centris®

Suspended
Direct/Indirect (High Performance)
3 T5HO - Solid Housing



Photometry Optics RD Round Perf Baffle w/ Down Kit

Report Summary

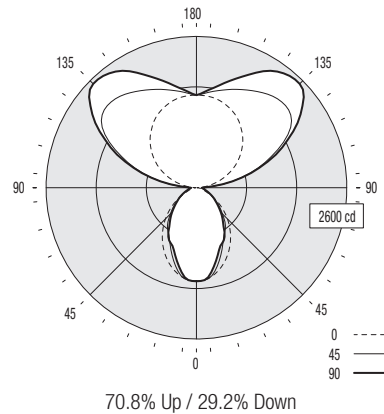
Report # 9900019
Filename 9507H03CD-RD.ies
Efficiency 81.5%

Peak Candela Value* 2525 @ 135°
Peak to Zenith Ratio* 1.6 : 1

* Between 90-180° vertical angle

Candela Distribution

Vertical Angle	Horizontal Angle					Zonal Lumens
	0	22.5	45	67.5	90	
0	1608	1608	1608	1608	1608	
5	1593	1592	1596	1593	1595	151
15	1473	1468	1394	1311	1304	389
25	1275	1212	1077	1034	1052	517
35	1030	918	870	831	818	553
45	759	659	635	591	595	495
55	478	465	426	395	404	388
65	223	272	260	259	268	260
75	106	125	150	157	164	153
85	34	63	92	103	108	92
90	9	52	83	100	97	
95	101	250	310	311	280	307
105	361	799	950	955	979	888
115	647	1199	1554	1626	1637	1359
125	907	1390	2008	2181	2198	1587
135	1134	1483	2086	2443	2525	1511
145	1320	1564	1993	2347	2437	1220
155	1461	1612	1861	2075	2144	854
165	1552	1625	1737	1834	1863	491
175	1589	1603	1629	1653	1656	159
180	1591	1591	1591	1591	1591	



Coefficients of Utilization (%)

Ceiling:	Horizontal Angle										
	70		80		70		50		0		
Walk:	70	50	30	10	70	50	30	50	30	10	0
0 RCR	82	82	82	82	73	73	73	57	57	57	21
1	75	72	69	66	67	64	62	50	48	47	18
2	68	63	58	54	61	56	52	44	41	39	15
3	63	55	50	45	56	49	45	39	35	33	13
4	57	49	43	38	51	44	39	34	31	28	11
5	52	44	37	33	47	39	34	31	27	24	10
6	48	39	33	28	43	35	30	28	24	21	9
7	45	35	29	25	40	32	26	25	21	18	8
8	41	32	26	22	37	29	23	23	19	16	7
9	38	29	23	19	34	26	21	21	17	14	6
10	36	26	21	17	32	24	19	19	15	13	6

Based on a floor reflectance of 0.2

Avg. Luminance (cd/m²)

Vertical Angle	Horizontal Angle		
	0	45	90
55	3397	2214	1890
65	2151	1616	1452
75	1669	1205	1096
85	1590	1092	979

IES files for this and other photometric options can be downloaded online at www.ledalite.com

Additional Information

Modules

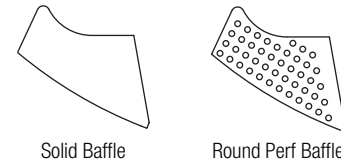
Module length excludes endcaps.
Nominal mount spacing for individually mounted modules.

Module	Mount Spacing
4ft	4' 0"
8ft	8' 0"
12ft	12' 0"

Endcap



Lower Optics



Upper Optics



Specifications

Due to continuing product improvements, Ledalite reserves the right to change specifications without notice.

Housing

Die-formed 20 gauge cold-rolled steel.

Weight

3.0 lb/ft.

Optical System

Direct/Indirect: Constructed of 96% reflective white steel to produce a direct/indirect distribution. Baffles are white blades spaced 2-7/16" apart and are 3/4" deep (18 cells per 4ft section). Perforation of baffles and housing is optional. Perforated housing options include acrylic overlay. Optional field-installable Variable Optics kits provide additional downlight as required.

Semi-Indirect: Constructed of 96% reflective white steel with perforated housing and acrylic overlay to produce a semi-indirect distribution. Perforated housing available in round or slot perforation patterns.

Indirect: Constructed of 96% reflective white steel to produce an indirect distribution.

High performance options use additional highly-specular aluminum reflectors.

Endcaps

Die-cast endcap or optional die-cast sculptured endcap.

Joints

Self-aligning joining system with hands-free pre-joining wire access.

Mounting

Aircraft cable gripper is tamper-resistant and provides infinite vertical adjustment capability. Aircraft cable, crimp and cable gripper independently tested to meet stringent safety requirements.

Electrical

Factory pre-wired to section ends with quick-wire connectors.

Ballast

Electronic.

Approvals

Certified to UL and CSA standards.

Finish

High-quality powder coat. Available in Ledalite Standard White (textured matte finish), and a selection of other factory and customer-specified colors. Consult factory for details.