

Centris®



Suspended
 Direct/Indirect (High Performance)
 3 T5HO - Perf Housing



Project Name

Spec Type

Notes



Order Guide

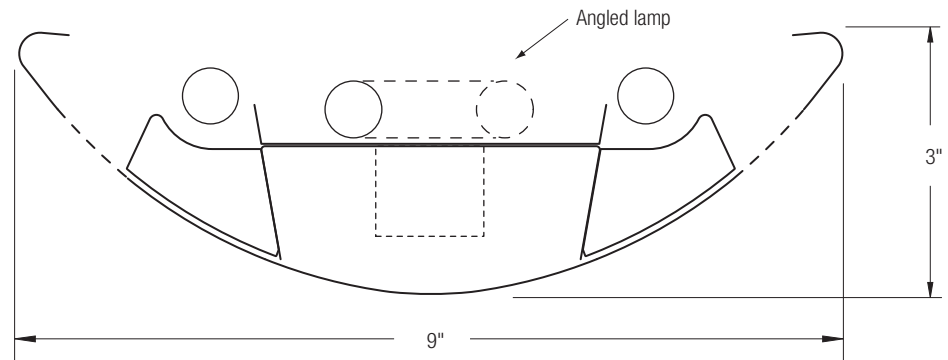
Some combinations of product options may not be available. Consult factory for assistance with your specification.

| | | | | | | | | | | |
|--|--------------------------|---|--|---|---|---|---|---|--|--|
| 9507 | H03 | | | - | | - | | - | | |
| Product Series & Type Centris Direct/Indirect (High Performance) | Lamping 3 T5HO | Lower Optics M Round Perf Housing / Solid Baffle T Round Perf Housing / Round Perf Baffle U Slot Perf Housing / Solid Baffle Z Slot Perf Housing / Round Perf Baffle See details on reverse | Upper Optics N None D Down Kit Y Lamp Separator See details on reverse | Run Length <i>Enter the total run length in feet (4ft increments)</i> See details on reverse | Wiring 1 1 cct 2 2 cct 3 1 cct w/ Emergency cct 4 2 cct w/ Emergency cct 5 1 cct w/ Battery Pack 6 2 cct w/ Battery Pack 7 1 cct Dimming Consult website for complete list of standard wiring options | Voltage 1 120V 2 277V 3 347V | Ballast E Standard Ballast Consult website for ballast manufacturer information | Color & Finish W Standard White C Factory Color X Custom Color Consult website for color and finish options | | |
| | | | | | | | | | Mounting Hardware | |
| | | | | | | | | | <input type="text"/> | <input type="text"/> |
| | | | | | | | | | Mount Type Consult separate mounting spec sheet for mount type options | Suspension Length <i>Enter distance from ceiling to top of fixture in inches</i> |

Upgrades & Accessories

Please indicate with check mark.

| | |
|--|--|
| <input type="checkbox"/> Lamps Included | <input checked="" type="checkbox"/> Lamps Included and Installed |
| <input type="checkbox"/> Sculptured Endcap See details on reverse | |
| <input type="checkbox"/> Response Daylight (Integrated Controls) For details visit www.ledalite.com/response | |



Centris®

Suspended
Direct/Indirect (High Performance)
3 T5HO - Perf Housing



Photometry Optics MY Round Perf Housing / Solid Baffle w/ Lamp Separator

Report Summary

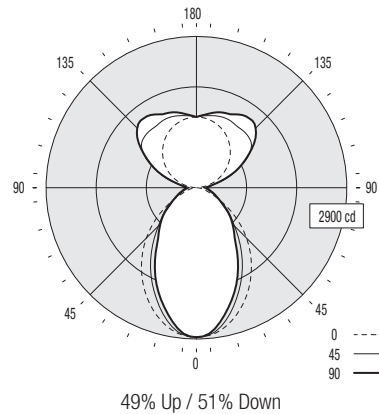
Report # 2101785
Filename 9507H03MY-TY.ies
Efficiency 66.9%

Peak Candela Value* 1679 @ 140°
Peak to Zenith Ratio* 1.2 : 1

* Between 90-180° vertical angle

Candela Distribution

| Vertical Angle | Horizontal Angle | | | | | Zonal Lumens |
|----------------|------------------|------|------|------|------|--------------|
| | 0 | 22.5 | 45 | 67.5 | 90 | |
| 0 | 2867 | 2867 | 2867 | 2867 | 2867 | 268 |
| 5 | 2843 | 2836 | 2832 | 2794 | 2811 | 698 |
| 15 | 2638 | 2593 | 2501 | 2364 | 2379 | 930 |
| 25 | 2286 | 2163 | 2020 | 1857 | 1877 | 953 |
| 35 | 1850 | 1673 | 1515 | 1325 | 1323 | 845 |
| 45 | 1367 | 1199 | 1038 | 958 | 983 | 653 |
| 55 | 855 | 764 | 719 | 661 | 678 | 433 |
| 65 | 396 | 441 | 437 | 425 | 449 | 267 |
| 75 | 171 | 202 | 266 | 285 | 308 | 165 |
| 85 | 45 | 98 | 171 | 201 | 222 | 202 |
| 90 | 6 | 77 | 137 | 175 | 188 | 493 |
| 95 | 62 | 133 | 191 | 218 | 238 | 822 |
| 105 | 289 | 485 | 518 | 464 | 481 | 1015 |
| 115 | 522 | 813 | 920 | 886 | 907 | 1028 |
| 125 | 734 | 969 | 1285 | 1295 | 1304 | 881 |
| 135 | 923 | 1093 | 1404 | 1575 | 1614 | 656 |
| 145 | 1085 | 1228 | 1414 | 1613 | 1670 | 401 |
| 155 | 1214 | 1311 | 1446 | 1522 | 1553 | 135 |
| 165 | 1302 | 1354 | 1427 | 1482 | 1496 | |
| 175 | 1350 | 1363 | 1382 | 1395 | 1396 | |
| 180 | 1356 | 1356 | 1356 | 1356 | 1356 | |



Coefficients of Utilization (%)

| Ceiling: | 80 | | | | 70 | | | | 50 | | | | 0 | | | | |
|----------|----|----|----|----|----|----|----|----|----|----|----|---|----|----|----|----|---|
| | 70 | 50 | 30 | 10 | 70 | 50 | 30 | 10 | 50 | 30 | 10 | 0 | 70 | 50 | 30 | 10 | 0 |
| 0 RCR | 71 | 71 | 71 | 71 | 65 | 65 | 65 | 55 | 55 | 55 | 32 | | | | | | |
| 1 | 65 | 62 | 59 | 57 | 60 | 57 | 55 | 48 | 46 | 45 | 27 | | | | | | |
| 2 | 59 | 55 | 51 | 47 | 54 | 50 | 47 | 42 | 40 | 38 | 23 | | | | | | |
| 3 | 54 | 48 | 43 | 40 | 50 | 45 | 40 | 38 | 35 | 32 | 20 | | | | | | |
| 4 | 50 | 43 | 38 | 34 | 46 | 40 | 35 | 34 | 30 | 28 | 17 | | | | | | |
| 5 | 46 | 38 | 33 | 29 | 42 | 36 | 31 | 30 | 27 | 24 | 15 | | | | | | |
| 6 | 42 | 35 | 29 | 26 | 39 | 32 | 27 | 28 | 24 | 21 | 14 | | | | | | |
| 7 | 39 | 31 | 26 | 23 | 36 | 29 | 25 | 25 | 21 | 19 | 12 | | | | | | |
| 8 | 37 | 29 | 23 | 20 | 34 | 27 | 22 | 23 | 19 | 17 | 11 | | | | | | |
| 9 | 34 | 26 | 21 | 18 | 31 | 24 | 20 | 21 | 18 | 15 | 10 | | | | | | |
| 10 | 32 | 24 | 19 | 16 | 29 | 22 | 18 | 19 | 16 | 14 | 9 | | | | | | |

Based on a floor reflectance of 0.2

Avg. Luminance (cd/m²)

| Vertical Angle | Horizontal Angle | | |
|----------------|------------------|------|------|
| | 0 | 45 | 90 |
| 55 | 6076 | 3737 | 3171 |
| 65 | 3819 | 2717 | 2433 |
| 75 | 2693 | 2138 | 2058 |
| 85 | 2104 | 2030 | 2013 |

IES files for this and other photometric options can be downloaded online at www.ledalite.com

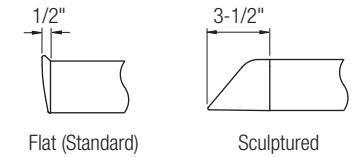
Additional Information

Modules

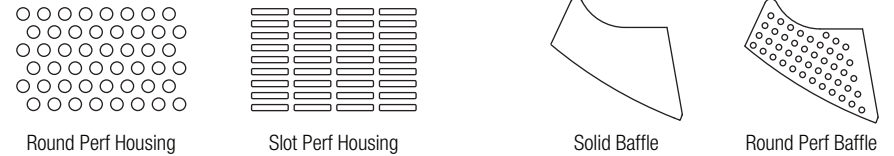
Module length excludes endcaps.
Nominal mount spacing for individually mounted modules.

| Module | Mount Spacing |
|--------|---------------|
| 4ft | 4' 0" |
| 8ft | 8' 0" |
| 12ft | 12' 0" |

Endcap



Lower Optics



Upper Optics



Specifications

Due to continuing product improvements, Ledalite reserves the right to change specifications without notice.

Housing

Die-formed 20 gauge cold-rolled steel.

Weight

3.0 lb/ft.

Optical System

Direct/Indirect: Constructed of 96% reflective white steel to produce a direct/indirect distribution. Baffles are white blades spaced 2-7/16" apart and are 3/4" deep (18 cells per 4ft section). Perforation of baffles and housing is optional. Perforated housing options include acrylic overlay. Optional field-installable Variable Optics kits provide additional downlight as required.

Semi-Indirect: Constructed of 96% reflective white steel with perforated housing and acrylic overlay to produce a semi-indirect distribution. Perforated housing available in round or slot perforation patterns.

Indirect: Constructed of 96% reflective white steel to produce an indirect distribution.

High performance options use additional highly-specular aluminum reflectors.

Endcaps

Die-cast endcap or optional die-cast sculptured endcap.

Joints

Self-aligning joining system with hands-free pre-joining wire access.

Mounting

Aircraft cable gripper is tamper-resistant and provides infinite vertical adjustment capability. Aircraft cable, crimp and cable gripper independently tested to meet stringent safety requirements.

Electrical

Factory pre-wired to section ends with quick-wire connectors.

Ballast

Electronic.

Approvals

Certified to UL and CSA standards.

Finish

High-quality powder coat. Available in Ledalite Standard White (textured matte finish), and a selection of other factory and customer-specified colors. Consult factory for details.