

Centris®



Suspended
 Direct/Indirect (High Performance)
 3 T5HO - Perf Housing



Project Name

Spec Type

Notes



Order Guide

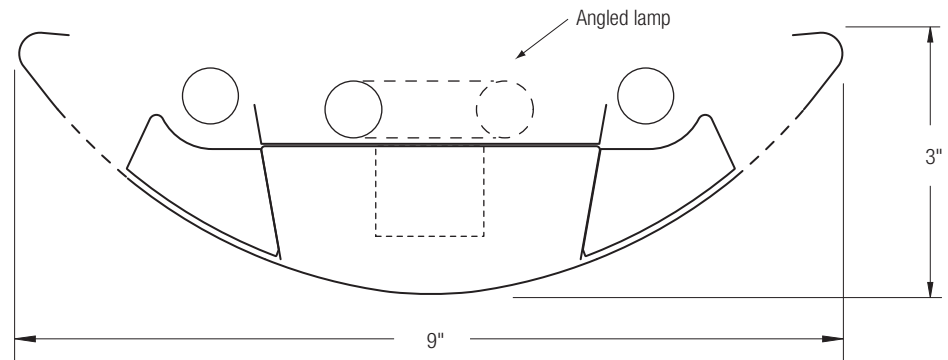
Some combinations of product options may not be available. Consult factory for assistance with your specification.

| | | | | | | | | | | | | |
|---|--|---|--|---|---|---|---|---|----------------------|----------------------|--|--|
| 9507 | H03 | | | - | | - | | - | | | | |
| Product Series & Type Centris Direct/Indirect (High Performance) | Lamping 3 T5HO | Lower Optics M Round Perf Housing / Solid Baffle T Round Perf Housing / Round Perf Baffle U Slot Perf Housing / Solid Baffle Z Slot Perf Housing / Round Perf Baffle See details on reverse | Upper Optics N None D Down Kit Y Lamp Separator See details on reverse | Run Length <i>Enter the total run length in feet (4ft increments)</i> See details on reverse | Wiring 1 1 cct 2 2 cct 3 1 cct w/ Emergency cct 4 2 cct w/ Emergency cct 5 1 cct w/ Battery Pack 6 2 cct w/ Battery Pack 7 1 cct Dimming Consult website for complete list of standard wiring options | Voltage 1 120V 2 277V 3 347V | Ballast E Standard Ballast Consult website for ballast manufacturer information | Color & Finish W Standard White C Factory Color X Custom Color Consult website for color and finish options | | | | |
| Mounting Hardware | | | | | | | | | | | | |
| <table border="1"> <tr> <td><input type="text"/></td> <td><input type="text"/></td> </tr> <tr> <td>Mount Type Consult separate mounting spec sheet for mount type options</td> <td>Suspension Length <i>Enter distance from ceiling to top of fixture in inches</i></td> </tr> </table> | | | | | | | | | <input type="text"/> | <input type="text"/> | Mount Type Consult separate mounting spec sheet for mount type options | Suspension Length <i>Enter distance from ceiling to top of fixture in inches</i> |
| <input type="text"/> | <input type="text"/> | | | | | | | | | | | |
| Mount Type Consult separate mounting spec sheet for mount type options | Suspension Length <i>Enter distance from ceiling to top of fixture in inches</i> | | | | | | | | | | | |

Upgrades & Accessories

Please indicate with check mark.

| | |
|--|--|
| <input type="checkbox"/> Lamps Included | <input checked="" type="checkbox"/> Lamps Included and Installed |
| <input type="checkbox"/> Sculptured Endcap See details on reverse | |
| <input type="checkbox"/> Response Daylight (Integrated Controls) For details visit www.ledalite.com/response | |



Centris®

Suspended
Direct/Indirect (High Performance)
3 T5HO - Perf Housing



Photometry Optics MD Round Perf Housing / Solid Baffle w/ Down Kit

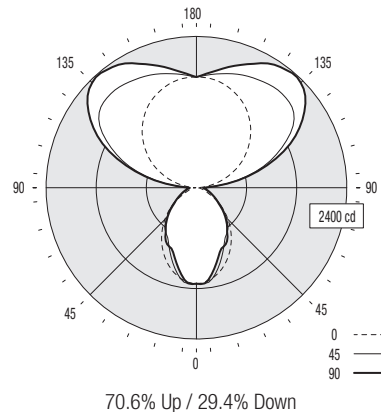
Report Summary

Report # 9900018
Filename 9507H03MD-TD.ies
Efficiency 82%

Peak Candela Value* 2378 @ 138°
Peak to Zenith Ratio* 1.4 : 1
* Between 90-180° vertical angle

Candela Distribution

| Vertical Angle | Horizontal Angle | | | | | Zonal Lumens |
|----------------|------------------|------|------|------|------|--------------|
| | 0 | 22.5 | 45 | 67.5 | 90 | |
| 0 | 1522 | 1522 | 1522 | 1522 | 1522 | |
| 5 | 1506 | 1514 | 1526 | 1520 | 1523 | 144 |
| 15 | 1392 | 1407 | 1326 | 1240 | 1235 | 369 |
| 25 | 1203 | 1153 | 1034 | 1002 | 1029 | 496 |
| 35 | 971 | 877 | 859 | 860 | 853 | 547 |
| 45 | 714 | 633 | 668 | 645 | 649 | 507 |
| 55 | 448 | 463 | 465 | 426 | 430 | 404 |
| 65 | 210 | 281 | 277 | 282 | 294 | 274 |
| 75 | 102 | 130 | 167 | 184 | 196 | 170 |
| 85 | 32 | 65 | 106 | 128 | 138 | 107 |
| 90 | 9 | 56 | 97 | 132 | 128 | |
| 95 | 98 | 253 | 325 | 358 | 325 | 330 |
| 105 | 388 | 767 | 970 | 1012 | 1015 | 907 |
| 115 | 695 | 1158 | 1504 | 1639 | 1654 | 1349 |
| 125 | 971 | 1385 | 1903 | 2085 | 2103 | 1540 |
| 135 | 1226 | 1530 | 2018 | 2307 | 2354 | 1474 |
| 145 | 1435 | 1658 | 2005 | 2274 | 2337 | 1227 |
| 155 | 1592 | 1733 | 1950 | 2112 | 2169 | 889 |
| 165 | 1701 | 1771 | 1874 | 1956 | 1983 | 528 |
| 175 | 1752 | 1766 | 1792 | 1811 | 1817 | 176 |
| 180 | 1756 | 1756 | 1756 | 1756 | 1756 | |



Coefficients of Utilization (%)

| Ceiling: Wall: | 80 | | | | 70 | | | | 50 | | | | 0 | | | |
|-------------------|----|----|----|----|----|----|----|----|----|----|----|---|----|----|----|----|
| | 70 | 50 | 30 | 10 | 70 | 50 | 30 | 10 | 50 | 30 | 10 | 0 | 70 | 50 | 30 | 10 |
| 0 RCR | 83 | 83 | 83 | 83 | 74 | 74 | 74 | 57 | 57 | 57 | 21 | | | | | |
| 1 | 75 | 72 | 69 | 66 | 67 | 64 | 62 | 50 | 48 | 47 | 18 | | | | | |
| 2 | 69 | 63 | 58 | 54 | 61 | 56 | 52 | 44 | 41 | 39 | 15 | | | | | |
| 3 | 63 | 55 | 50 | 45 | 56 | 50 | 45 | 39 | 35 | 33 | 13 | | | | | |
| 4 | 57 | 49 | 43 | 38 | 51 | 44 | 39 | 34 | 31 | 28 | 11 | | | | | |
| 5 | 53 | 44 | 37 | 33 | 47 | 39 | 34 | 31 | 27 | 24 | 10 | | | | | |
| 6 | 48 | 39 | 33 | 28 | 43 | 35 | 30 | 28 | 24 | 21 | 9 | | | | | |
| 7 | 45 | 35 | 29 | 25 | 40 | 32 | 26 | 25 | 21 | 18 | 8 | | | | | |
| 8 | 41 | 32 | 26 | 22 | 37 | 29 | 23 | 23 | 19 | 16 | 7 | | | | | |
| 9 | 38 | 29 | 23 | 19 | 34 | 26 | 21 | 21 | 17 | 14 | 6 | | | | | |
| 10 | 36 | 26 | 21 | 17 | 32 | 24 | 19 | 19 | 15 | 13 | 6 | | | | | |

Based on a floor reflectance of 0.2

Avg. Luminance (cd/m²)

| Vertical Angle | Horizontal Angle | | |
|----------------|------------------|------|------|
| | 0 | 45 | 90 |
| 55 | 3183 | 2417 | 2011 |
| 65 | 2025 | 1722 | 1593 |
| 75 | 1606 | 1342 | 1309 |
| 85 | 1496 | 1258 | 1252 |

IES files for this and other photometric options can be downloaded online at www.ledalite.com

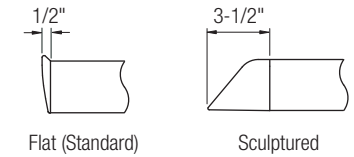
Additional Information

Modules

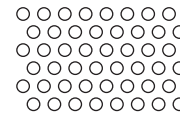
Module length excludes endcaps.
Nominal mount spacing for individually mounted modules.

| Module | Mount Spacing |
|--------|---------------|
| 4ft | 4' 0" |
| 8ft | 8' 0" |
| 12ft | 12' 0" |

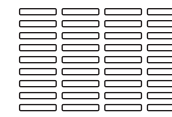
Endcap



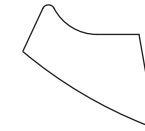
Lower Optics



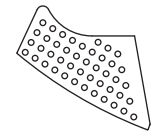
Round Perf Housing



Slot Perf Housing



Solid Baffle



Round Perf Baffle

Upper Optics



D Down Kit



Y Lamp Separator

Specifications

Due to continuing product improvements, Ledalite reserves the right to change specifications without notice.

Housing

Die-formed 20 gauge cold-rolled steel.

Weight

3.0 lb/ft.

Optical System

Direct/Indirect: Constructed of 96% reflective white steel to produce a direct/indirect distribution. Baffles are white blades spaced 2-7/16" apart and are 3/4" deep (18 cells per 4ft section). Perforation of baffles and housing is optional. Perforated housing options include acrylic overlay. Optional field-installable Variable Optics kits provide additional downlight as required.

Semi-Indirect: Constructed of 96% reflective white steel with perforated housing and acrylic overlay to produce a semi-indirect distribution. Perforated housing available in round or slot perforation patterns.

Indirect: Constructed of 96% reflective white steel to produce an indirect distribution.

High performance options use additional highly-specular aluminum reflectors.

Endcaps

Die-cast endcap or optional die-cast sculptured endcap.

Joints

Self-aligning joining system with hands-free pre-joining wire access.

Mounting

Aircraft cable gripper is tamper-resistant and provides infinite vertical adjustment capability. Aircraft cable, crimp and cable gripper independently tested to meet stringent safety requirements.

Electrical

Factory pre-wired to section ends with quick-wire connectors.

Ballast

Electronic.

Approvals

Certified to UL and CSA standards.

Finish

High-quality powder coat. Available in Ledalite Standard White (textured matte finish), and a selection of other factory and customer-specified colors. Consult factory for details.