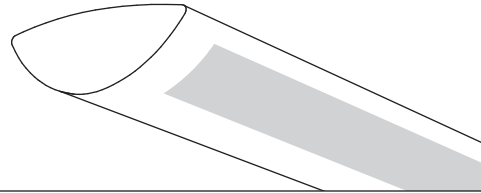


Centris®



Suspended
Semi-Indirect (High Performance)
3 T5HO



Project Name

Spec Type

Notes

Order Guide

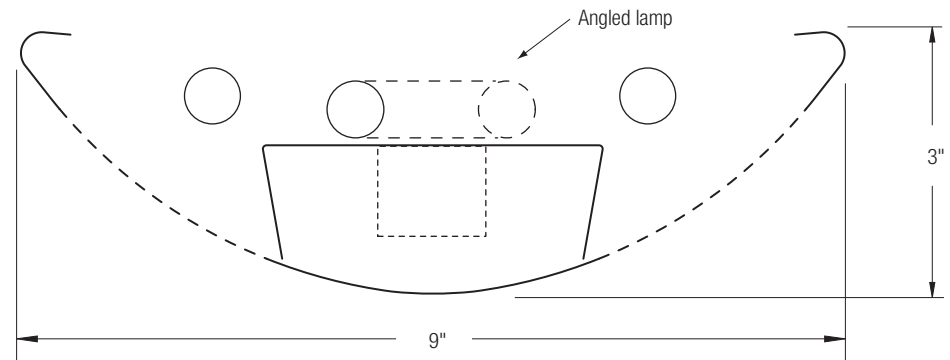
Some combinations of product options may not be available. Consult factory for assistance with your specification.

9504	H03	<input type="text"/>	<input type="text"/>	-	<input type="text"/>	-	<input type="text"/>	-	<input type="text"/>	<input type="text"/>
Product Series & Type Centris Semi-Indirect (High Performance)	Lamping 3 T5HO	Lower Optics L Round Perf Housing I Slot Perf Housing	Upper Optics N None	Run Length <i>Enter the total run length in feet (4ft increments)</i>	Wiring 1 1 cct 2 2 cct 3 1 cct w/ Emergency cct 4 2 cct w/ Emergency cct 5 1 cct w/ Battery Pack 6 2 cct w/ Battery Pack 7 1 cct Dimming	Voltage 1 120V 2 277V 3 347V	Ballast E Standard Ballast Consult website for ballast manufacturer information	Color & Finish W Standard White C Factory Color X Custom Color Consult website for color and finish options		
		See details on reverse	See details on reverse	See details on reverse	Consult website for complete list of standard wiring options					
									Mounting Hardware	
									<input type="text"/>	<input type="text"/>
									Mount Type Consult separate mounting spec sheet for mount type options	Suspension Length <i>Enter distance from ceiling to top of fixture in inches</i>

Upgrades & Accessories

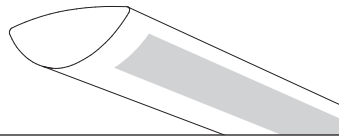
Please indicate with check mark.

<input type="checkbox"/> Lamps Included	<input checked="" type="checkbox"/> Lamps Included and Installed
<input type="checkbox"/> Sculptured Endcap See details on reverse	
<input type="checkbox"/> Response Daylight (Integrated Controls) For details visit www.ledalite.com/response	



Centris®

Suspended
Semi-Indirect (High Performance)
3 T5HO



Photometry Optics IN Slot Perf Housing

Report Summary

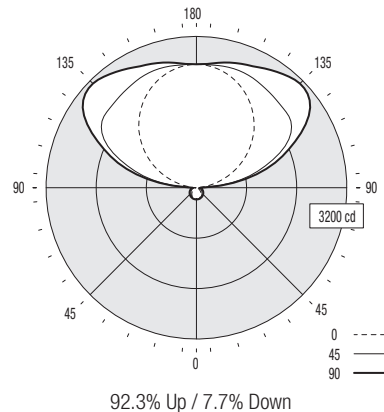
Report # 2101604
Filename 9504H03IN.ies
Efficiency 86.3%

Peak Candela Value* 3116 @ 135°
Peak to Zenith Ratio* 1.2 : 1

* Between 90-180° vertical angle

Candela Distribution

Vertical Angle	Horizontal Angle					Zonal Lumens
	0	22.5	45	67.5	90	
0	247	247	247	247	247	
5	245	245	246	247	247	24
15	231	233	238	241	244	67
25	205	210	221	226	232	101
35	171	176	194	209	219	121
45	129	138	169	188	201	128
55	86	103	141	165	178	121
65	47	70	112	139	153	105
75	29	41	82	110	125	83
85	12	22	53	78	93	58
90	7	29	47	71	82	
95	87	329	453	360	522	410
105	479	1037	1351	1392	1539	1252
115	923	1439	2083	2209	2319	1813
125	1349	1709	2454	2834	2955	2037
135	1737	1985	2505	2981	3116	1912
145	2054	2240	2561	2888	2990	1601
155	2313	2427	2624	2785	2835	1204
165	2496	2540	2638	2722	2741	746
175	2596	2605	2615	2629	2628	254
180	2611	2611	2611	2611	2611	



Coefficients of Utilization (%)

Ceiling: Walk:	80				70				50				0
	70	50	30	10	70	50	30	10	50	30	10	0	
0 RCR	83	83	83	83	72	72	72	51	51	51	5		
1	76	72	69	66	65	62	60	44	42	41	4		
2	69	63	58	53	59	54	50	38	36	34	3		
3	62	55	49	44	54	47	43	34	30	28	3		
4	57	48	42	37	49	42	36	30	26	23	2		
5	52	43	36	31	45	37	32	26	23	20	2		
6	48	38	31	27	41	33	27	23	20	17	1		
7	44	34	28	23	38	29	24	21	17	15	1		
8	40	30	24	20	35	26	21	19	15	13	1		
9	37	28	22	17	32	24	19	17	14	11	1		
10	35	25	19	15	30	22	17	16	12	10	1		

Based on a floor reflectance of 0.2

Avg. Luminance (cd/m²)

Vertical Angle	Horizontal Angle		
	0	45	90
55	611	733	833
65	453	696	829
75	457	659	835
85	561	629	843

IES files for this and other photometric options can be downloaded online at www.ledalite.com

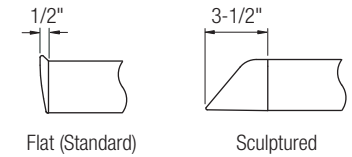
Additional Information

Modules

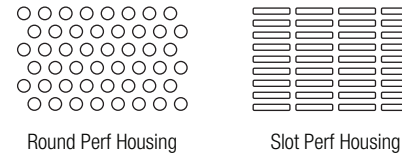
Module length excludes endcaps.
Nominal mount spacing for individually mounted modules.

Module	Mount Spacing
4ft	4' 0"
8ft	8' 0"
12ft	12' 0"

Endcap



Lower Optics



Specifications

Due to continuing product improvements, Ledalite reserves the right to change specifications without notice.

Housing

Die-formed 20 gauge cold-rolled steel.

Weight

3.0 lb/ft.

Optical System

Direct/Indirect: Constructed of 96% reflective white steel to produce a direct/indirect distribution. Baffles are white blades spaced 2-7/16" apart and are 3/4" deep (18 cells per 4ft section). Perforation of baffles and housing is optional. Perforated housing options include acrylic overlay. Optional field-installable Variable Optics kits provide additional downlight as required.

Semi-Indirect: Constructed of 96% reflective white steel with perforated housing and acrylic overlay to produce a semi-indirect distribution. Perforated housing available in round or slot perforation patterns.

Indirect: Constructed of 96% reflective white steel to produce an indirect distribution.

High performance options use additional highly-specular aluminum reflectors.

Endcaps

Die-cast endcap or optional die-cast sculptured endcap.

Joints

Self-aligning joining system with hands-free pre-joining wire access.

Mounting

Aircraft cable gripper is tamper-resistant and provides infinite vertical adjustment capability. Aircraft cable, crimp and cable gripper independently tested to meet stringent safety requirements.

Electrical

Factory pre-wired to section ends with quick-wire connectors.

Ballast

Electronic.

Approvals

Certified to UL and CSA standards.

Finish

High-quality powder coat. Available in Ledalite Standard White (textured matte finish), and a selection of other factory and customer-specified colors. Consult factory for details.