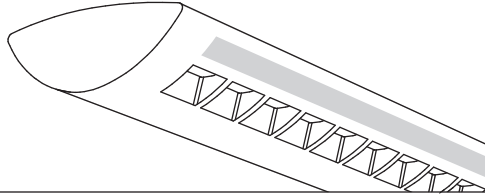


# Centris®



Suspended  
Direct/Indirect (High Performance)  
2 T8 - Perf Housing



Project Name

Spec Type

Notes




## Order Guide

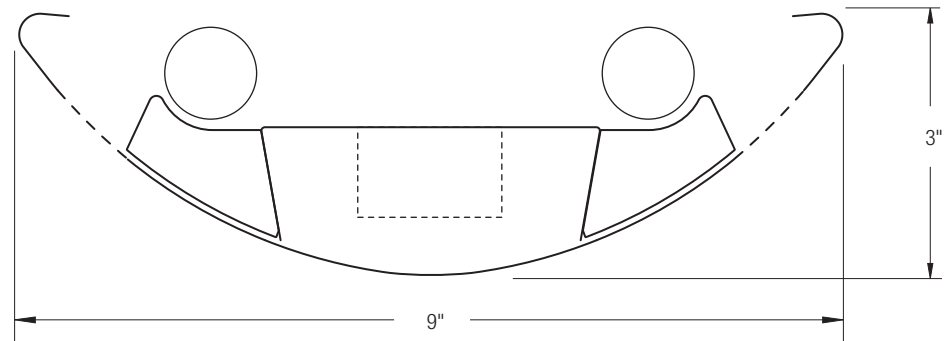
Some combinations of product options may not be available. Consult factory for assistance with your specification.

9507	T02			-		-		-			
Product Series & Type Centris Direct/Indirect (High Performance)	Lamping 2 T8	Lower Optics <b>M</b> Round Perf Housing / Solid Baffle <b>T</b> Round Perf Housing / Round Perf Baffle <b>U</b> Slot Perf Housing / Solid Baffle <b>Z</b> Slot Perf Housing / Round Perf Baffle	Upper Optics <b>N</b> None	Run Length <i>Enter the total run length in feet (4ft increments)</i>	Wiring <b>1</b> 1 cct <b>2</b> 2 cct <b>3</b> 1 cct w/ Emergency cct <b>4</b> 2 cct w/ Emergency cct <b>5</b> 1 cct w/ Battery Pack <b>6</b> 2 cct w/ Battery Pack <b>7</b> 1 cct Dimming	Voltage <b>1</b> 120V <b>2</b> 277V <b>3</b> 347V	Ballast <b>E</b> Standard Ballast  Consult website for ballast manufacturer information	Color & Finish <b>W</b> Standard White <b>C</b> Factory Color <b>X</b> Custom Color  Consult website for color and finish options	<b>Mounting Hardware</b> <input type="text"/> <input type="text"/> <b>Mount Type</b> <input type="text"/> <b>Suspension Length</b> <input type="text"/> Consult separate mounting spec sheet for mount type options <i>Enter distance from ceiling to top of fixture in inches</i>		
		See details on reverse	See details on reverse	See details on reverse	Consult website for complete list of standard wiring options						

## Upgrades & Accessories

Please indicate with check mark.

<input type="checkbox"/> Lamps Included	<input type="checkbox"/> Lamps Included and Installed
<input type="checkbox"/> Sculptured Endcap See details on reverse	<input type="checkbox"/> Dust Cover 
<input type="checkbox"/> Response Daylight (Integrated Controls) For details visit <a href="http://www.ledalite.com/response">www.ledalite.com/response</a>	



# Centris®

Suspended  
Direct/Indirect (High Performance)  
2 T8 - Perf Housing



## Photometry Optics ZN Slot Perf Housing / Round Perf Baffle

### Report Summary

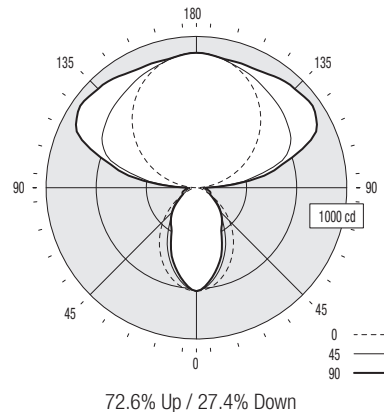
Report # 2101651  
Filename 9507T02UN-ZN.ies  
Efficiency 83.9%

Peak Candela Value\* 944 @ 125°  
Peak to Zenith Ratio\* 1.1 : 1

\* Between 90-180° vertical angle

### Candela Distribution

Vertical Angle	Horizontal Angle					Zonal Lumens
	0	22.5	45	67.5	90	
0	684	684	684	684	684	
5	676	670	664	649	655	63
15	624	596	572	544	543	162
25	537	489	453	407	401	208
35	430	372	321	292	296	210
45	312	260	233	225	227	191
55	191	166	164	147	148	146
65	85	100	94	93	100	97
75	40	48	67	84	91	69
85	12	25	47	59	65	48
90	4	28	44	60	62	
95	48	143	213	200	250	196
105	188	347	530	552	588	478
115	337	453	690	831	879	633
125	477	548	738	894	944	646
135	604	638	771	888	924	592
145	711	723	797	873	900	502
155	796	795	830	862	874	384
165	856	853	856	866	871	243
175	888	888	888	884	886	86
180	892	892	892	892	892	



### Coefficients of Utilization (%)

Ceiling:	80					70					50					0				
	70	50	30	10		70	50	30	10		70	50	30	10		70	50	30	10	
0 RCR	84	84	84	84	84	75	75	75	57	57	57	20								
1	77	73	70	67		68	65	63	50	48	47	17								
2	70	64	59	55		62	57	53	44	41	39	14								
3	64	57	51	46		57	50	46	39	36	33	12								
4	59	50	44	39		52	45	39	35	31	28	11								
5	54	45	38	33		48	40	34	31	27	24	9								
6	49	40	33	29		44	36	30	28	24	21	8								
7	46	36	30	25		40	32	27	25	21	19	7								
8	42	32	26	22		38	29	24	23	19	16	7								
9	39	30	24	20		35	27	21	21	17	15	6								
10	37	27	21	17		33	24	19	19	16	13	6								

Based on a floor reflectance of 0.2

### Avg. Luminance (cd/m<sup>2</sup>)

Vertical Angle	Horizontal Angle		
	0	45	90
55	1357	852	692
65	820	584	542
75	630	538	608
85	561	558	589

IES files for this and other photometric options can be downloaded online at [www.ledalite.com](http://www.ledalite.com)

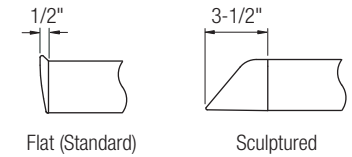
## Additional Information

### Modules

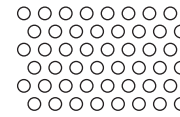
Module length excludes endcaps.  
Nominal mount spacing for individually mounted modules.

Module	Mount Spacing
4ft	4' 0"
8ft	8' 0"
12ft	12' 0"

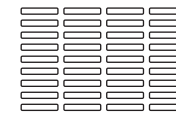
### Endcap



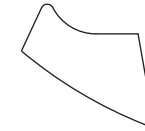
### Lower Optics



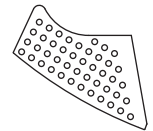
Round Perf Housing



Slot Perf Housing



Solid Baffle



Round Perf Baffle

## Specifications

Due to continuing product improvements, Ledalite reserves the right to change specifications without notice.

### Housing

Die-formed 20 gauge cold-rolled steel.

### Weight

3.0 lb/ft.

### Optical System

Direct/Indirect: Constructed of 96% reflective white steel to produce a direct/indirect distribution. Baffles are white blades spaced 2-7/16" apart and are 3/4" deep (18 cells per 4ft section). Perforation of baffles and housing is optional. Perforated housing options include acrylic overlay. Optional field-installable Variable Optics kits provide additional downlight as required.

Semi-Indirect: Constructed of 96% reflective white steel with perforated housing and acrylic overlay to produce a semi-indirect distribution. Perforated housing available in round or slot perforation patterns.

Indirect: Constructed of 96% reflective white steel to produce an indirect distribution.

High performance options use additional highly-specular aluminum reflectors.

### Endcaps

Die-cast endcap or optional die-cast sculptured endcap.

### Joints

Self-aligning joining system with hands-free pre-joining wire access.

### Mounting

Aircraft cable gripper is tamper-resistant and provides infinite vertical adjustment capability. Aircraft cable, crimp and cable gripper independently tested to meet stringent safety requirements.

### Electrical

Factory pre-wired to section ends with quick-wire connectors.

### Ballast

Electronic.

### Approvals

Certified to UL and CSA standards.

### Finish

High-quality powder coat. Available in Ledalite Standard White (textured matte finish), and a selection of other factory and customer-specified colors. Consult factory for details.