

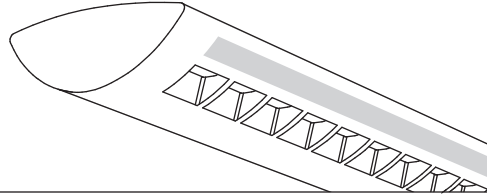
Centris®



Suspended

Direct/Indirect (High Performance)

2 T8 - Perf Housing



Project Name

Spec Type

Notes

Order Guide

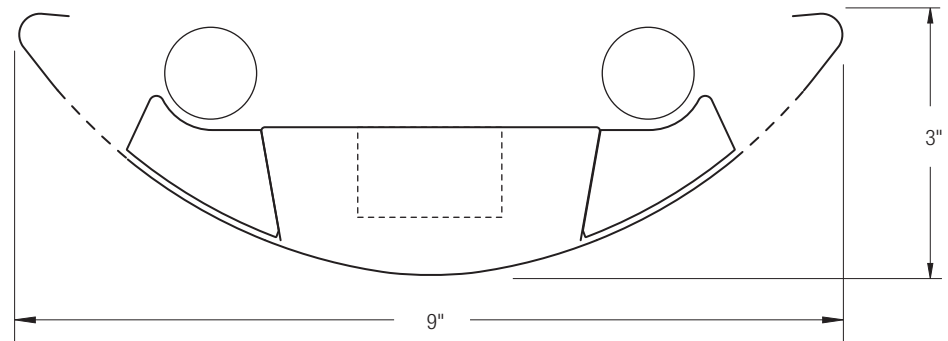
Some combinations of product options may not be available. Consult factory for assistance with your specification.

| | | | | | | | | | | | | |
|--|---|---|--|--|---|---|---|---|---|--|--|---|
| 9507 | T02 | | | - | | - | | - | | | | |
| Product Series & Type Centris Direct/Indirect (High Performance) | Lamping 2 T8 | Lower Optics M Round Perf Housing / Solid Baffle T Round Perf Housing / Round Perf Baffle U Slot Perf Housing / Solid Baffle Z Slot Perf Housing / Round Perf Baffle See details on reverse | Upper Optics N None See details on reverse | Run Length Enter the total run length in feet (4ft increments) | Wiring 1 1 cct 2 2 cct 3 1 cct w/ Emergency cct 4 2 cct w/ Emergency cct 5 1 cct w/ Battery Pack 6 2 cct w/ Battery Pack 7 1 cct Dimming Consult website for complete list of standard wiring options | Voltage 1 120V 2 277V 3 347V | Ballast E Standard Ballast Consult website for ballast manufacturer information | Color & Finish W Standard White C Factory Color X Custom Color Consult website for color and finish options | Mounting Hardware <div style="border: 1px solid black; width: 40px; height: 20px; margin: 5px auto;"></div> <div style="border: 1px solid black; width: 40px; height: 20px; margin: 5px auto;"></div> <table style="width: 100%; border-collapse: collapse;"> <tr> <td style="width: 50%; border-right: 1px solid black; padding: 5px;"> Mount Type Consult separate mounting spec sheet for mount type options </td> <td style="padding: 5px;"> Suspension Length Enter distance from ceiling to top of fixture in inches </td> </tr> </table> | | Mount Type Consult separate mounting spec sheet for mount type options | Suspension Length Enter distance from ceiling to top of fixture in inches |
| Mount Type Consult separate mounting spec sheet for mount type options | Suspension Length Enter distance from ceiling to top of fixture in inches | | | | | | | | | | | |

Upgrades & Accessories

Please indicate with check mark.

| | |
|--|---|
| <input type="checkbox"/> Lamps Included | <input type="checkbox"/> Lamps Included and Installed |
| <input type="checkbox"/> Sculptured Endcap See details on reverse | <input type="checkbox"/> Dust Cover |
| <input type="checkbox"/> Response Daylight (Integrated Controls) For details visit www.ledalite.com/response | |



Centris®

Suspended
Direct/Indirect (High Performance)
2 T8 - Perf Housing



Photometry Optics TN Round Perf Housing / Round Perf Baffle

Report Summary

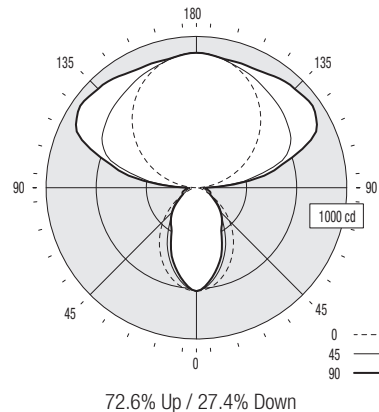
Report # 2101651
Filename 9507T02MN-TN.ies
Efficiency 83.9%

Peak Candela Value* 944 @ 125°
Peak to Zenith Ratio* 1.1 : 1

* Between 90-180° vertical angle

Candela Distribution

| Vertical Angle | Horizontal Angle | | | | | Zonal Lumens |
|----------------|------------------|------|-----|------|-----|--------------|
| | 0 | 22.5 | 45 | 67.5 | 90 | |
| 0 | 684 | 684 | 684 | 684 | 684 | |
| 5 | 676 | 670 | 664 | 649 | 655 | 63 |
| 15 | 624 | 596 | 572 | 544 | 543 | 162 |
| 25 | 537 | 489 | 453 | 407 | 401 | 208 |
| 35 | 430 | 372 | 321 | 292 | 296 | 210 |
| 45 | 312 | 260 | 233 | 225 | 227 | 191 |
| 55 | 191 | 166 | 164 | 147 | 148 | 146 |
| 65 | 85 | 100 | 94 | 93 | 100 | 97 |
| 75 | 40 | 48 | 67 | 84 | 91 | 69 |
| 85 | 12 | 25 | 47 | 59 | 65 | 48 |
| 90 | 4 | 28 | 44 | 60 | 62 | |
| 95 | 48 | 143 | 213 | 200 | 250 | 196 |
| 105 | 188 | 347 | 530 | 552 | 588 | 478 |
| 115 | 337 | 453 | 690 | 831 | 879 | 633 |
| 125 | 477 | 548 | 738 | 894 | 944 | 646 |
| 135 | 604 | 638 | 771 | 888 | 924 | 592 |
| 145 | 711 | 723 | 797 | 873 | 900 | 502 |
| 155 | 796 | 795 | 830 | 862 | 874 | 384 |
| 165 | 856 | 853 | 856 | 866 | 871 | 243 |
| 175 | 888 | 888 | 888 | 884 | 886 | 86 |
| 180 | 892 | 892 | 892 | 892 | 892 | |



Coefficients of Utilization (%)

| Ceiling: | 80 | | | | | 70 | | | | | 50 | | | | | 0 | | | | |
|----------|----|----|----|----|--|----|----|----|----|----|----|----|----|----|----|----|----|----|----|--|
| | 70 | 50 | 30 | 10 | | 70 | 50 | 30 | 10 | | 70 | 50 | 30 | 10 | | 70 | 50 | 30 | 10 | |
| 0 RCR | 84 | 84 | 84 | 84 | | 75 | 75 | 75 | 57 | 57 | 57 | 57 | 57 | | 20 | | | | | |
| 1 | 77 | 73 | 70 | 67 | | 68 | 65 | 63 | 50 | 48 | 47 | 47 | 47 | | 17 | | | | | |
| 2 | 70 | 64 | 59 | 55 | | 62 | 57 | 53 | 44 | 41 | 39 | 39 | 39 | | 14 | | | | | |
| 3 | 64 | 57 | 51 | 46 | | 57 | 50 | 46 | 39 | 36 | 33 | 33 | 33 | | 12 | | | | | |
| 4 | 59 | 50 | 44 | 39 | | 52 | 45 | 39 | 35 | 31 | 28 | 28 | 28 | | 11 | | | | | |
| 5 | 54 | 45 | 38 | 33 | | 48 | 40 | 34 | 31 | 27 | 24 | 24 | 24 | | 9 | | | | | |
| 6 | 49 | 40 | 33 | 29 | | 44 | 36 | 30 | 28 | 24 | 21 | 21 | 21 | | 8 | | | | | |
| 7 | 46 | 36 | 30 | 25 | | 40 | 32 | 27 | 25 | 21 | 19 | 19 | 19 | | 7 | | | | | |
| 8 | 42 | 32 | 26 | 22 | | 38 | 29 | 24 | 23 | 19 | 16 | 16 | 16 | | 7 | | | | | |
| 9 | 39 | 30 | 24 | 20 | | 35 | 27 | 21 | 21 | 17 | 15 | 15 | 15 | | 6 | | | | | |
| 10 | 37 | 27 | 21 | 17 | | 33 | 24 | 19 | 19 | 16 | 13 | 13 | 13 | | 6 | | | | | |

Based on a floor reflectance of 0.2

Avg. Luminance (cd/m²)

| Vertical Angle | Horizontal Angle | | |
|----------------|------------------|-----|-----|
| | 0 | 45 | 90 |
| 55 | 1357 | 852 | 692 |
| 65 | 820 | 584 | 542 |
| 75 | 630 | 538 | 608 |
| 85 | 561 | 558 | 589 |

IES files for this and other photometric options can be downloaded online at www.ledalite.com

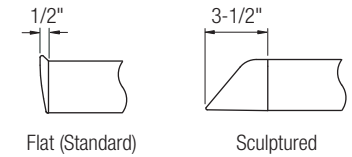
Additional Information

Modules

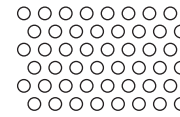
Module length excludes endcaps.
Nominal mount spacing for individually mounted modules.

| Module | Mount Spacing |
|--------|---------------|
| 4ft | 4' 0" |
| 8ft | 8' 0" |
| 12ft | 12' 0" |

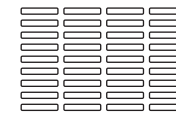
Endcap



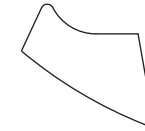
Lower Optics



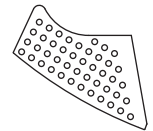
Round Perf Housing



Slot Perf Housing



Solid Baffle



Round Perf Baffle

Specifications

Due to continuing product improvements, Ledalite reserves the right to change specifications without notice.

Housing

Die-formed 20 gauge cold-rolled steel.

Weight

3.0 lb/ft.

Optical System

Direct/Indirect: Constructed of 96% reflective white steel to produce a direct/indirect distribution. Baffles are white blades spaced 2-7/16" apart and are 3/4" deep (18 cells per 4ft section). Perforation of baffles and housing is optional. Perforated housing options include acrylic overlay. Optional field-installable Variable Optics kits provide additional downlight as required.

Semi-Indirect: Constructed of 96% reflective white steel with perforated housing and acrylic overlay to produce a semi-indirect distribution. Perforated housing available in round or slot perforation patterns.

Indirect: Constructed of 96% reflective white steel to produce an indirect distribution.

High performance options use additional highly-specular aluminum reflectors.

Endcaps

Die-cast endcap or optional die-cast sculptured endcap.

Joints

Self-aligning joining system with hands-free pre-joining wire access.

Mounting

Aircraft cable gripper is tamper-resistant and provides infinite vertical adjustment capability. Aircraft cable, crimp and cable gripper independently tested to meet stringent safety requirements.

Electrical

Factory pre-wired to section ends with quick-wire connectors.

Ballast

Electronic.

Approvals

Certified to UL and CSA standards.

Finish

High-quality powder coat. Available in Ledalite Standard White (textured matte finish), and a selection of other factory and customer-specified colors. Consult factory for details.