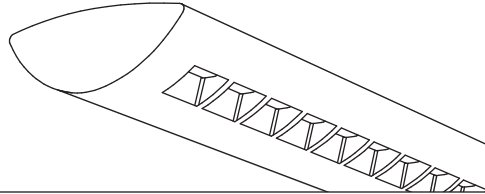


Centris®



Suspended
 Direct/Indirect (High Performance)
 2 T8 - Solid Housing



Project Name

Spec Type

Notes




Order Guide

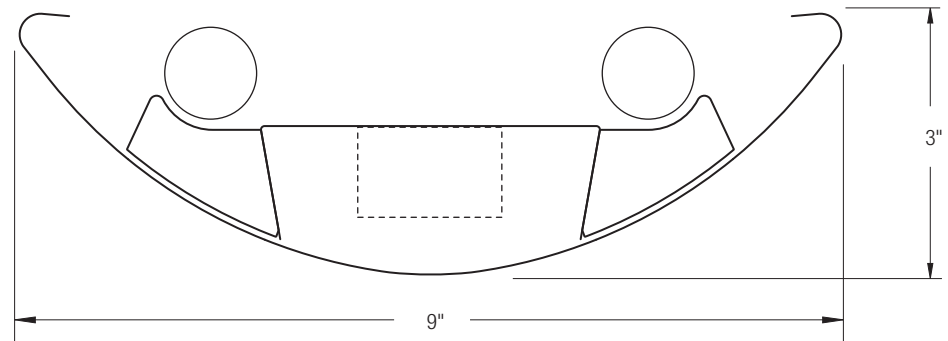
Some combinations of product options may not be available. Consult factory for assistance with your specification.

9507	T02			-		-		-	
Product Series & Type Centris Direct/Indirect (High Performance)	Lamping 2 T8	Lower Optics C Solid Baffle R Round Perf Baffle	Upper Optics N None	Run Length <i>Enter the total run length in feet (4ft increments)</i>	Wiring 1 1 cct 2 2 cct 3 1 cct w/ Emergency cct 4 2 cct w/ Emergency cct 5 1 cct w/ Battery Pack 6 2 cct w/ Battery Pack 7 1 cct Dimming	Voltage 1 120V 2 277V 3 347V	Ballast E Standard Ballast Consult website for ballast manufacturer information	Color & Finish W Standard White C Factory Color X Custom Color Consult website for color and finish options	
		See details on reverse	See details on reverse	See details on reverse	Consult website for complete list of standard wiring options				
Mounting Hardware									

Upgrades & Accessories

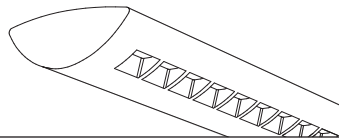
Please indicate with check mark.

<input type="checkbox"/> Lamps Included	<input type="checkbox"/> Lamps Included and Installed
<input type="checkbox"/> Sculptured Endcap See details on reverse	<input type="checkbox"/> Dust Cover 
<input type="checkbox"/> Response Daylight (Integrated Controls) For details visit www.ledalite.com/response	



Centris®

Suspended
Direct/Indirect (High Performance)
2 T8 - Solid Housing



Photometry Optics RN Round Perf Baffle

Report Summary

Report # 2101631
Filename 9507T02CN-RN.ies
Efficiency 85.6%

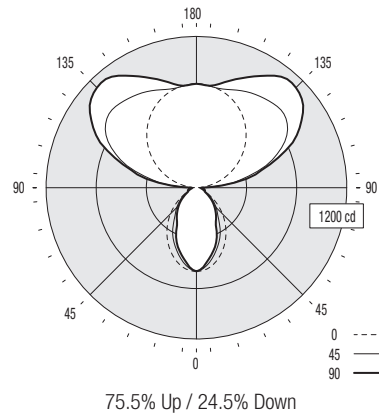
Peak Candela Value* 1128 @ 138°
Peak to Zenith Ratio* 1.4 : 1

* Between 90-180° vertical angle

Meets RP-1-04 recommendations for VDT-Intensive spaces

Candela Distribution

Vertical Angle	Horizontal Angle					Zonal Lumens
	0	22.5	45	67.5	90	
0	664	664	664	664	664	
5	658	650	642	627	632	61
15	606	572	550	519	519	154
25	518	466	441	387	383	200
35	410	357	310	278	273	202
45	294	253	223	201	198	178
55	176	161	149	128	125	132
65	80	95	84	70	73	83
75	40	43	52	64	71	56
85	14	23	37	42	45	37
90	4	26	35	40	39	
95	46	128	205	186	206	178
105	173	368	505	508	537	460
115	310	530	749	822	848	656
125	442	613	885	1004	1038	723
135	560	673	912	1082	1123	677
145	660	718	885	1040	1085	551
155	739	753	849	943	967	392
165	792	790	811	853	867	233
175	821	819	818	817	816	80
180	825	825	825	825	825	



Coefficients of Utilization (%)

Ceiling:	80				70				50				0
	70	50	30	10	70	50	30	50	30	10	0		
0 RCR	86	86	86	86	76	76	76	58	58	58	18		
1	78	75	71	69	69	66	64	50	49	47	15		
2	71	65	60	56	63	58	54	44	42	39	13		
3	65	58	52	47	57	51	46	39	36	33	11		
4	60	51	45	40	53	45	40	35	31	28	10		
5	55	45	39	34	48	40	35	31	27	24	9		
6	50	41	34	29	44	36	31	28	24	21	8		
7	46	37	30	26	41	33	27	25	22	19	7		
8	43	33	27	23	38	30	24	23	19	17	6		
9	40	30	24	20	35	27	22	21	17	15	6		
10	37	27	22	18	33	25	20	19	16	13	5		

Based on a floor reflectance of 0.2

Avg. Luminance (cd/m²)

Vertical Angle	Horizontal Angle		
	0	45	90
55	1251	774	585
65	772	522	396
75	630	418	474
85	655	439	408

IES files for this and other photometric options can be downloaded online at www.ledalite.com

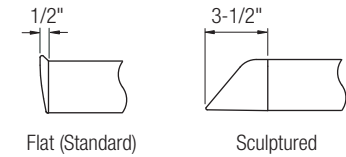
Additional Information

Modules

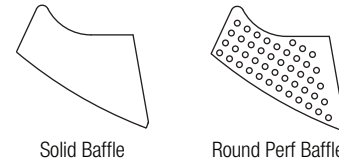
Module length excludes endcaps.
Nominal mount spacing for individually mounted modules.

Module	Mount Spacing
4ft	4' 0"
8ft	8' 0"
12ft	12' 0"

Endcap



Lower Optics



Specifications

Due to continuing product improvements, Ledalite reserves the right to change specifications without notice.

Housing

Die-formed 20 gauge cold-rolled steel.

Weight

3.0 lb/ft.

Optical System

Direct/Indirect: Constructed of 96% reflective white steel to produce a direct/indirect distribution. Baffles are white blades spaced 2-7/16" apart and are 3/4" deep (18 cells per 4ft section). Perforation of baffles and housing is optional. Perforated housing options include acrylic overlay. Optional field-installable Variable Optics kits provide additional downlight as required.

Semi-Indirect: Constructed of 96% reflective white steel with perforated housing and acrylic overlay to produce a semi-indirect distribution. Perforated housing available in round or slot perforation patterns.

Indirect: Constructed of 96% reflective white steel to produce an indirect distribution.

High performance options use additional highly-specular aluminum reflectors.

Endcaps

Die-cast endcap or optional die-cast sculptured endcap.

Joints

Self-aligning joining system with hands-free pre-joining wire access.

Mounting

Aircraft cable gripper is tamper-resistant and provides infinite vertical adjustment capability. Aircraft cable, crimp and cable gripper independently tested to meet stringent safety requirements.

Electrical

Factory pre-wired to section ends with quick-wire connectors.

Ballast

Electronic.

Approvals

Certified to UL and CSA standards.

Finish

High-quality powder coat. Available in Ledalite Standard White (textured matte finish), and a selection of other factory and customer-specified colors. Consult factory for details.