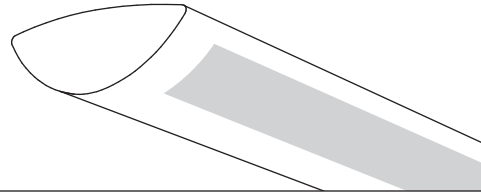


Suspended
Semi-Indirect (High Performance)
2 T8



Project Name

Spec Type

Notes


Order Guide

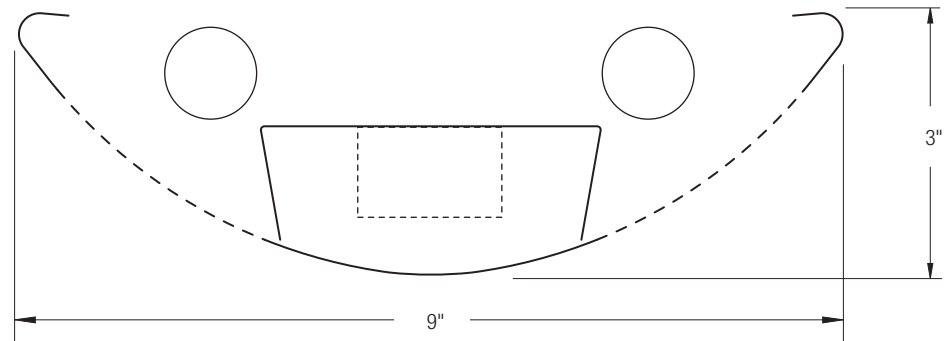
Some combinations of product options may not be available. Consult factory for assistance with your specification.

9504	T02	<input type="text"/>	<input type="text"/>	-	<input type="text"/>	-	<input type="text"/>	-	<input type="text"/>	-	<input type="text"/>
Product Series & Type Centris Semi-Indirect (High Performance)	Lamping 2 T8	Lower Optics L Round Perf Housing I Slot Perf Housing	Upper Optics N None	Run Length <i>Enter the total run length in feet (4ft increments)</i>	Wiring 1 1 cct 2 2 cct 3 1 cct w/ Emergency cct 4 2 cct w/ Emergency cct 5 1 cct w/ Battery Pack 6 2 cct w/ Battery Pack 7 1 cct Dimming	Voltage 1 120V 2 277V 3 347V	Ballast E Standard Ballast Consult website for ballast manufacturer information	Color & Finish W Standard White C Factory Color X Custom Color Consult website for color and finish options	Mounting Hardware <input type="text"/> <input type="text"/> Mount Type <input type="text"/> Suspension Length <input type="text"/> <i>Enter distance from ceiling to top of fixture in inches</i> Consult separate mounting spec sheet for mount type options		
		See details on reverse	See details on reverse	See details on reverse	Consult website for complete list of standard wiring options						

Upgrades & Accessories

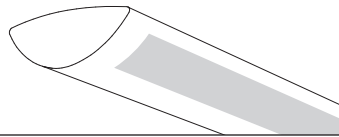
Please indicate with check mark.

<input type="checkbox"/> Lamps Included	<input type="checkbox"/> Lamps Included and Installed
<input type="checkbox"/> Sculptured Endcap See details on reverse	<input type="checkbox"/> Dust Cover 
<input type="checkbox"/> Response Daylight (Integrated Controls) For details visit www.ledalite.com/response	



Centris®

Suspended
Semi-Indirect (High Performance)
2 T8



Photometry Optics IN Slot Perf Housing

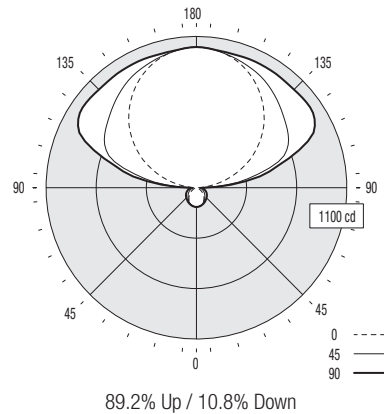
Report Summary

Report # 2101652 **Peak Candela Value*** 1023 @ 180°
Filename 9504T02IN.ies **Peak to Zenith Ratio*** 1 : 1
Efficiency 77.4% * Between 90-180° vertical angle

Meets RP-1-04 recommendations for VDT-Normal spaces

Candela Distribution

Vertical Angle	Horizontal Angle					Zonal Lumens
	0	22.5	45	67.5	90	
0	140	140	140	140	140	
5	139	138	139	139	139	13
15	130	130	132	132	135	37
25	116	115	120	122	126	56
35	96	95	104	110	115	65
45	72	73	87	98	104	68
55	46	52	72	86	93	63
65	23	33	57	72	80	54
75	11	18	41	56	64	40
85	3	10	25	38	47	29
90	3	20	29	51	53	
95	52	139	212	207	256	197
105	223	370	552	568	617	504
115	398	489	741	885	945	683
125	558	611	800	963	1017	708
135	701	733	856	969	1009	660
145	820	835	913	986	1012	571
155	916	917	956	999	1013	443
165	983	980	989	1003	1008	280
175	1019	1018	1017	1016	1017	98
180	1023	1023	1023	1023	1023	



Coefficients of Utilization (%)

Ceiling: Wall:	80				70				50				0				
	70	50	30	10	70	50	30	10	50	30	10	0	70	50	30	10	0
0 RCR	75	75	75	75	65	65	65	47	47	47	7	75	75	75	75	7	7
1	68	65	62	59	59	56	54	40	39	37	5	68	65	62	59	5	5
2	62	56	52	48	53	49	45	35	33	31	4	62	56	52	48	4	4
3	56	49	44	40	49	43	39	31	28	26	3	56	49	44	40	3	3
4	51	43	38	33	44	38	33	27	24	22	3	51	43	38	33	3	3
5	47	38	33	28	40	33	29	24	21	18	2	47	38	33	28	2	2
6	43	34	28	24	37	30	25	21	18	16	2	43	34	28	24	2	2
7	39	31	25	21	34	27	22	19	16	14	2	39	31	25	21	2	2
8	36	28	22	18	31	24	19	17	14	12	1	36	28	22	18	1	1
9	34	25	19	16	29	22	17	16	13	10	1	34	25	19	16	1	1
10	31	23	17	14	27	20	15	14	11	9	1	31	23	17	14	1	1

Based on a floor reflectance of 0.2

Avg. Luminance (cd/m²)

Vertical Angle	Horizontal Angle		
	0	45	90
55	327	374	435
65	222	354	433
75	173	329	428
85	140	297	426

IES files for this and other photometric options can be downloaded online at www.ledalite.com

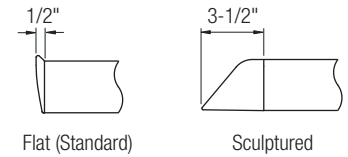
Additional Information

Modules

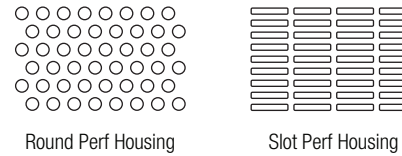
Module length excludes endcaps.
Nominal mount spacing for individually mounted modules.

Module	Mount Spacing
4ft	4' 0"
8ft	8' 0"
12ft	12' 0"

Endcap



Lower Optics



Specifications

Due to continuing product improvements, Ledalite reserves the right to change specifications without notice.

Housing

Die-formed 20 gauge cold-rolled steel.

Weight

3.0 lb/ft.

Optical System

Direct/Indirect: Constructed of 96% reflective white steel to produce a direct/indirect distribution. Baffles are white blades spaced 2-7/16" apart and are 3/4" deep (18 cells per 4ft section). Perforation of baffles and housing is optional. Perforated housing options include acrylic overlay. Optional field-installable Variable Optics kits provide additional downlight as required.

Semi-Indirect: Constructed of 96% reflective white steel with perforated housing and acrylic overlay to produce a semi-indirect distribution. Perforated housing available in round or slot perforation patterns.

Indirect: Constructed of 96% reflective white steel to produce an indirect distribution.

High performance options use additional highly-specular aluminum reflectors.

Endcaps

Die-cast endcap or optional die-cast sculptured endcap.

Joints

Self-aligning joining system with hands-free pre-joining wire access.

Mounting

Aircraft cable gripper is tamper-resistant and provides infinite vertical adjustment capability. Aircraft cable, crimp and cable gripper independently tested to meet stringent safety requirements.

Electrical

Factory pre-wired to section ends with quick-wire connectors.

Ballast

Electronic.

Approvals

Certified to UL and CSA standards.

Finish

High-quality powder coat. Available in Ledalite Standard White (textured matte finish), and a selection of other factory and customer-specified colors. Consult factory for details.