

Centris®



Suspended
 Direct/Indirect (High Performance)
 2 T5HO - Perf Housing



Project Name

Spec Type

Notes



Order Guide

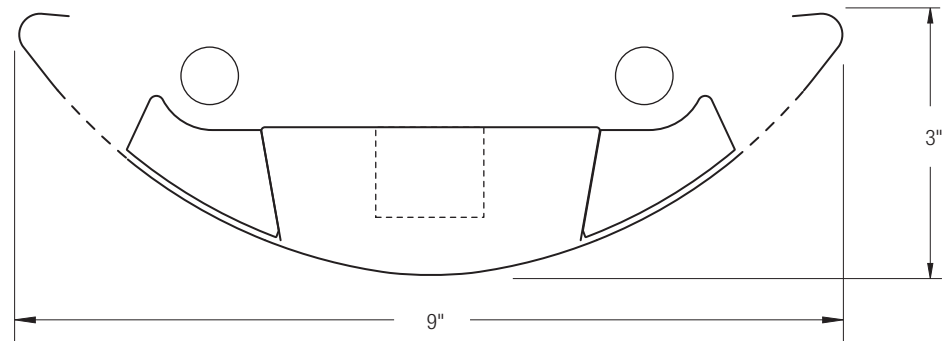
Some combinations of product options may not be available. Consult factory for assistance with your specification.

9507	H02			-		-		-		
Product Series & Type Centris Direct/Indirect (High Performance)	Lamping 2 T5HO	Lower Optics M Round Perf Housing / Solid Baffle T Round Perf Housing / Round Perf Baffle U Slot Perf Housing / Solid Baffle Z Slot Perf Housing / Round Perf Baffle	Upper Optics N None	Run Length <i>Enter the total run length in feet (4ft increments)</i>	Wiring 1 1 cct 2 2 cct 3 1 cct w/ Emergency cct 4 2 cct w/ Emergency cct 5 1 cct w/ Battery Pack 6 2 cct w/ Battery Pack 7 1 cct Dimming	Voltage 1 120V 2 277V 3 347V	Ballast E Standard Ballast Consult website for ballast manufacturer information	Color & Finish W Standard White C Factory Color X Custom Color Consult website for color and finish options		
		See details on reverse	See details on reverse	See details on reverse	Consult website for complete list of standard wiring options	Mounting Hardware <input type="text"/> <input type="text"/> Mount Type <input type="text"/> Suspension Length <input type="text"/> Consult separate mounting spec sheet for mount type options <i>Enter distance from ceiling to top of fixture in inches</i>				

Upgrades & Accessories

Please indicate with check mark.

<input type="checkbox"/> Lamps Included	<input checked="" type="checkbox"/> Lamps Included and Installed
<input type="checkbox"/> Sculptured Endcap See details on reverse	
<input type="checkbox"/> Response Daylight (Integrated Controls) For details visit www.ledalite.com/response	



Centris®

Suspended
Direct/Indirect (High Performance)
2 T5HO - Perf Housing



Photometry Optics UN Slot Perf Housing / Solid Baffle

Report Summary

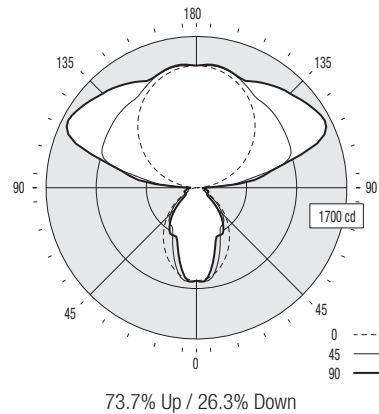
Report # 2101649
Filename 9507H02UN-ZN.ies
Efficiency 85.7%

Peak Candela Value* 1636 @ 118°
Peak to Zenith Ratio* 1.2 : 1

* Between 90-180° vertical angle

Candela Distribution

Vertical Angle	Horizontal Angle					Zonal Lumens
	0	22.5	45	67.5	90	
0	1045	1045	1045	1045	1045	
5	1034	1043	1058	1049	1057	101
15	954	975	906	787	780	247
25	816	771	637	575	593	312
35	652	549	509	523	530	338
45	472	371	414	347	340	296
55	288	283	249	155	151	205
65	126	158	110	130	142	136
75	62	65	98	121	133	100
85	20	38	69	85	93	69
90	6	38	62	81	85	
95	76	235	416	420	468	348
105	302	570	1018	998	1020	852
115	535	708	1160	1515	1619	1096
125	745	837	1185	1479	1585	1047
135	937	977	1209	1423	1496	934
145	1100	1136	1214	1365	1418	781
155	1230	1263	1288	1305	1324	596
165	1319	1341	1364	1369	1370	382
175	1366	1369	1378	1386	1389	133
180	1373	1373	1373	1373	1373	



Coefficients of Utilization (%)

Ceiling: Walk:	80				70				50				0
	70	50	30	10	70	50	30	10	50	30	10	0	
0 RCR	86	86	86	86	76	76	76	58	58	58	19		
1	78	75	72	69	69	66	64	51	49	47	16		
2	72	66	61	56	63	58	54	45	42	39	14		
3	65	58	52	47	58	51	46	39	36	33	12		
4	60	51	45	40	53	46	40	35	31	28	10		
5	55	45	39	34	48	41	35	31	28	25	9		
6	50	41	34	29	45	36	31	28	24	21	8		
7	47	37	30	26	41	33	27	26	22	19	7		
8	43	33	27	23	38	30	24	23	19	17	7		
9	40	30	24	20	36	27	22	21	17	15	6		
10	37	28	22	18	33	25	20	20	16	13	5		

Based on a floor reflectance of 0.2

Avg. Luminance (cd/m²)

Vertical Angle	Horizontal Angle		
	0	45	90
55	2046	1294	706
65	1215	684	769
75	976	788	889
85	935	819	843

IES files for this and other photometric options can be downloaded online at www.ledalite.com

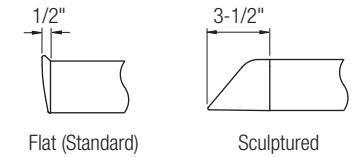
Additional Information

Modules

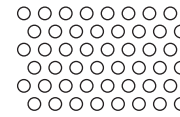
Module length excludes endcaps.
Nominal mount spacing for individually mounted modules.

Module	Mount Spacing
4ft	4' 0"
8ft	8' 0"
12ft	12' 0"

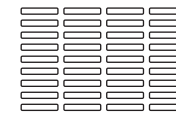
Endcap



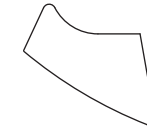
Lower Optics



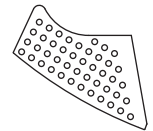
Round Perf Housing



Slot Perf Housing



Solid Baffle



Round Perf Baffle

Specifications

Due to continuing product improvements, Ledalite reserves the right to change specifications without notice.

Housing

Die-formed 20 gauge cold-rolled steel.

Weight

3.0 lb/ft.

Optical System

Direct/Indirect: Constructed of 96% reflective white steel to produce a direct/indirect distribution. Baffles are white blades spaced 2-7/16" apart and are 3/4" deep (18 cells per 4ft section). Perforation of baffles and housing is optional. Perforated housing options include acrylic overlay. Optional field-installable Variable Optics kits provide additional downlight as required.

Semi-Indirect: Constructed of 96% reflective white steel with perforated housing and acrylic overlay to produce a semi-indirect distribution. Perforated housing available in round or slot perforation patterns.

Indirect: Constructed of 96% reflective white steel to produce an indirect distribution.

High performance options use additional highly-specular aluminum reflectors.

Endcaps

Die-cast endcap or optional die-cast sculptured endcap.

Joints

Self-aligning joining system with hands-free pre-joining wire access.

Mounting

Aircraft cable gripper is tamper-resistant and provides infinite vertical adjustment capability. Aircraft cable, crimp and cable gripper independently tested to meet stringent safety requirements.

Electrical

Factory pre-wired to section ends with quick-wire connectors.

Ballast

Electronic.

Approvals

Certified to UL and CSA standards.

Finish

High-quality powder coat. Available in Ledalite Standard White (textured matte finish), and a selection of other factory and customer-specified colors. Consult factory for details.