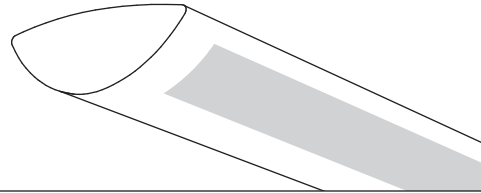


# Centris®



Suspended  
Semi-Indirect (High Performance)  
2 T5HO



Project Name

Spec Type

Notes

## Order Guide

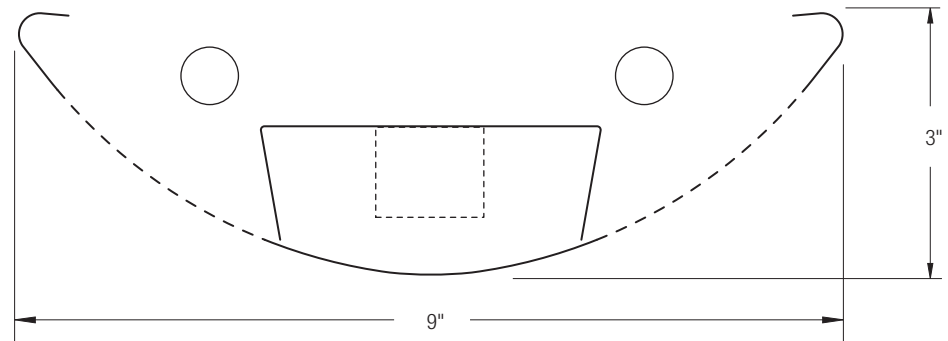
Some combinations of product options may not be available. Consult factory for assistance with your specification.

<b>9504</b>	<b>H02</b>	<input type="text"/>	<input type="text"/>	-	<input type="text"/>	-	<input type="text"/>	-	<input type="text"/>	-	<input type="text"/>
<b>Product Series &amp; Type</b> Centris Semi-Indirect (High Performance)	<b>Lamping</b> 2 T5HO	<b>Lower Optics</b> L Round Perf Housing I Slot Perf Housing	<b>Upper Optics</b> N None		<b>Run Length</b> <i>Enter the total run length in feet (4ft increments)</i>	<b>Wiring</b> 1 1 cct 2 2 cct 3 1 cct w/ Emergency cct 4 2 cct w/ Emergency cct 5 1 cct w/ Battery Pack 6 2 cct w/ Battery Pack 7 1 cct Dimming	<b>Voltage</b> 1 120V 2 277V 3 347V	<b>Ballast</b> E Standard Ballast  Consult website for ballast manufacturer information	<b>Color &amp; Finish</b> W Standard White C Factory Color X Custom Color  Consult website for color and finish options		
		See details on reverse	See details on reverse		See details on reverse	Consult website for complete list of standard wiring options					
<b>Mounting Hardware</b>											
					<input type="text"/>						
<b>Mount Type</b>					<b>Suspension Length</b> <i>Enter distance from ceiling to top of fixture in inches</i>						
Consult separate mounting spec sheet for mount type options											

## Upgrades & Accessories

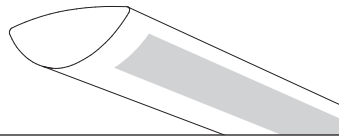
Please indicate with check mark.

<input type="checkbox"/> Lamps Included	<input checked="" type="checkbox"/> Lamps Included and Installed
<input type="checkbox"/> Sculptured Endcap See details on reverse	
<input type="checkbox"/> Response Daylight (Integrated Controls) For details visit <a href="http://www.ledalite.com/response">www.ledalite.com/response</a>	



# Centris®

Suspended  
Semi-Indirect (High Performance)  
2 T5HO



## Photometry Optics LN Round Perf Housing

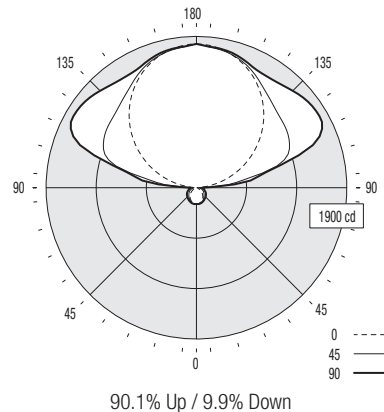
### Report Summary

Report # 2101601  
Filename 9504H02LN.ies  
Efficiency 83.9%

Peak Candela Value\* 1806 @ 180°  
Peak to Zenith Ratio\* 1 : 1  
\* Between 90-180° vertical angle

### Candela Distribution

Vertical Angle	Horizontal Angle					Zonal Lumens
	0	22.5	45	67.5	90	
0	205	205	205	205	205	
5	203	203	205	205	206	19
15	191	193	200	202	204	56
25	170	175	184	188	193	84
35	141	146	160	170	178	99
45	106	115	136	152	162	104
55	68	84	115	136	147	99
65	36	57	93	114	126	84
75	22	34	68	91	102	67
85	10	19	44	64	76	48
90	6	22	36	60	70	
95	73	216	391	352	483	330
105	357	630	1053	1058	1103	908
115	658	802	1298	1646	1752	1217
125	941	995	1360	1684	1787	1210
135	1201	1222	1406	1642	1721	1110
145	1424	1431	1500	1618	1662	955
155	1604	1598	1635	1663	1675	753
165	1729	1712	1731	1747	1753	489
175	1797	1787	1778	1778	1779	172
180	1806	1806	1806	1806	1806	



### Coefficients of Utilization (%)

Ceiling:	80				70				50				0
	70	50	30	10	70	50	30	10	50	30	10	0	
0 RCR	81	81	81	81	71	71	71	50	50	50	7		
1	74	70	67	64	64	61	58	43	42	40	5		
2	67	61	56	52	58	53	49	38	35	33	4		
3	61	54	48	43	53	47	42	33	30	28	3		
4	56	47	41	36	48	41	36	29	26	23	3		
5	51	42	35	31	44	36	31	26	22	20	2		
6	47	37	31	26	40	32	27	23	20	17	2		
7	43	33	27	23	37	29	24	21	17	15	2		
8	40	30	24	20	34	26	21	19	15	13	1		
9	37	27	21	17	32	24	19	17	14	11	1		
10	34	24	19	15	29	21	17	15	12	10	1		

Based on a floor reflectance of 0.2

### Avg. Luminance (cd/m²)

Vertical Angle	Horizontal Angle		
	0	45	90
55	550	672	771
65	395	648	763
75	394	609	757
85	532	576	758

IES files for this and other photometric options can be downloaded online at [www.ledalite.com](http://www.ledalite.com)

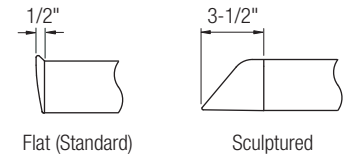
## Additional Information

### Modules

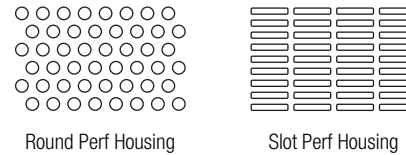
Module length excludes endcaps.  
Nominal mount spacing for individually mounted modules.

Module	Mount Spacing
4ft	4' 0"
8ft	8' 0"
12ft	12' 0"

### Endcap



### Lower Optics



## Specifications

Due to continuing product improvements, Ledalite reserves the right to change specifications without notice.

### Housing

Die-formed 20 gauge cold-rolled steel.

### Weight

3.0 lb/ft.

### Optical System

Direct/Indirect: Constructed of 96% reflective white steel to produce a direct/indirect distribution. Baffles are white blades spaced 2-7/16" apart and are 3/4" deep (18 cells per 4ft section). Perforation of baffles and housing is optional. Perforated housing options include acrylic overlay. Optional field-installable Variable Optics kits provide additional downlight as required.

Semi-Indirect: Constructed of 96% reflective white steel with perforated housing and acrylic overlay to produce a semi-indirect distribution. Perforated housing available in round or slot perforation patterns.

Indirect: Constructed of 96% reflective white steel to produce an indirect distribution.

High performance options use additional highly-specular aluminum reflectors.

### Endcaps

Die-cast endcap or optional die-cast sculptured endcap.

### Joints

Self-aligning joining system with hands-free pre-joining wire access.

### Mounting

Aircraft cable gripper is tamper-resistant and provides infinite vertical adjustment capability. Aircraft cable, crimp and cable gripper independently tested to meet stringent safety requirements.

### Electrical

Factory pre-wired to section ends with quick-wire connectors.

### Ballast

Electronic.

### Approvals

Certified to UL and CSA standards.

### Finish

High-quality powder coat. Available in Ledalite Standard White (textured matte finish), and a selection of other factory and customer-specified colors. Consult factory for details.