

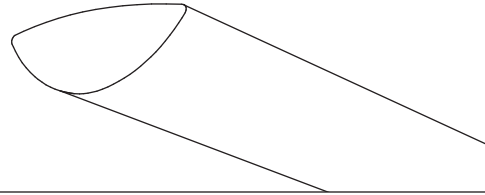
Centris®



Suspended

Indirect (High Performance)

2 T5HO



Project Name

Spec Type

Notes

Order Guide

Some combinations of product options may not be available. Consult factory for assistance with your specification.

9502	H02			-		-		-	
Product Series & Type Centris Indirect (High Performance)	Lamping 2 T5HO	Lower Optics E Solid Housing	Upper Optics N None	Run Length <i>Enter the total run length in feet (4ft increments)</i>	Wiring 1 1 cct 2 2 cct 3 1 cct w/ Emergency cct 4 2 cct w/ Emergency cct 5 1 cct w/ Battery Pack 6 2 cct w/ Battery Pack 7 1 cct Dimming	Voltage 1 120V 2 277V 3 347V	Ballast E Standard Ballast Consult website for ballast manufacturer information	Color & Finish W Standard White C Factory Color X Custom Color Consult website for color and finish options	
		See details on reverse	See details on reverse	See details on reverse	Consult website for complete list of standard wiring options				

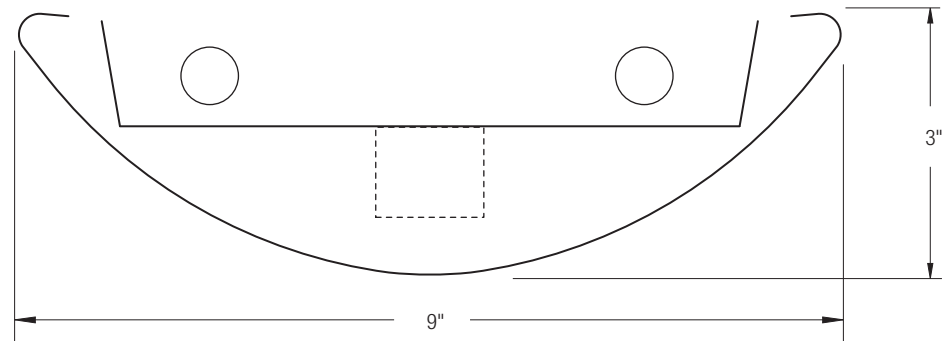
Mounting Hardware

<input type="text"/>	<input type="text"/>
Mount Type Consult separate mounting spec sheet for mount type options	Suspension Length <i>Enter distance from ceiling to top of fixture in inches</i>

Upgrades & Accessories

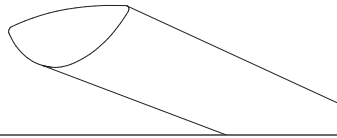
Please indicate with check mark.

<input type="checkbox"/> Lamps Included	<input checked="" type="checkbox"/> Lamps Included and Installed
<input type="checkbox"/> Sculptured Endcap See details on reverse	
<input type="checkbox"/> Response Daylight (Integrated Controls) For details visit www.ledalite.com/response	



Centris®

Suspended
Indirect (High Performance)
2 T5HO



Photometry Optics EN

Report Summary

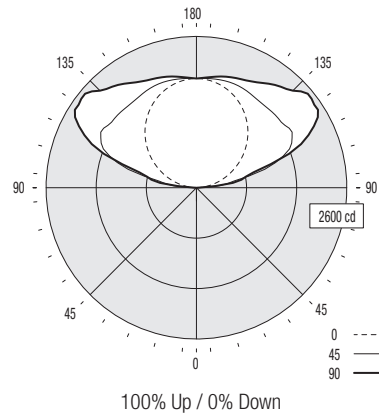
Report # 2101608
Filename 9502H02EN.ies
Efficiency 93.2%

Peak Candela Value* 2514 @ 130°
Peak to Zenith Ratio* 1.3 : 1
* Between 90-180° vertical angle

Meets RP-1-04 recommendations for VDT-Intensive spaces

Candela Distribution

Vertical Angle	Horizontal Angle					Zonal Lumens
	0	22.5	45	67.5	90	
0	0	0	0	0	0	
5	0	0	0	0	0	0
15	0	0	0	0	0	0
25	0	0	0	0	0	0
35	0	0	0	0	0	0
45	0	0	0	0	0	0
55	0	0	0	0	0	0
65	0	0	0	0	0	0
75	0	0	0	0	0	0
85	0	0	0	0	0	0
90	5	5	11	6	7	
95	112	215	404	224	329	302
105	389	849	1223	953	1022	1007
115	689	1083	1818	2039	2137	1561
125	987	1262	1869	2357	2487	1622
135	1256	1452	1846	2225	2359	1424
145	1486	1626	1844	2097	2182	1162
155	1670	1753	1888	1996	2035	866
165	1798	1836	1902	1959	1976	538
175	1867	1874	1886	1899	1901	183
180	1877	1877	1877	1877	1877	



Coefficients of Utilization (%)

Ceiling:	80				70				50				0
	70	50	30	10	70	50	30	10	70	50	30	10	
0 RCR	88	88	88	88	75	75	75	51	51	51	0	0	
1	80	76	73	70	68	65	62	44	43	41	0	0	
2	73	66	61	57	62	57	53	39	36	34	0	0	
3	66	58	52	47	56	50	45	34	31	28	0	0	
4	60	51	45	39	51	44	38	30	27	24	0	0	
5	55	45	38	33	47	39	33	27	23	20	0	0	
6	50	40	33	28	43	34	29	24	20	17	0	0	
7	46	36	29	24	39	31	25	21	18	15	0	0	
8	43	32	26	21	36	28	22	19	15	13	0	0	
9	40	29	23	18	34	25	20	17	14	11	0	0	
10	37	26	20	16	31	23	18	16	12	10	0	0	

Based on a floor reflectance of 0.2

Avg. Luminance (cd/m²)

Vertical Angle	Horizontal Angle		
	0	45	90
55	0	0	0
65	0	0	0
75	0	0	0
85	0	0	0

IES files for this and other photometric options can be downloaded online at www.ledalite.com

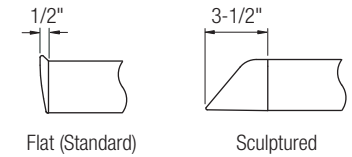
Additional Information

Modules

Module length excludes endcaps.
Nominal mount spacing for individually mounted modules.

Module	Mount Spacing
4ft	4' 0"
8ft	8' 0"
12ft	12' 0"

Endcap



Specifications

Due to continuing product improvements, Ledalite reserves the right to change specifications without notice.

Housing

Die-formed 20 gauge cold-rolled steel.

Weight

3.0 lb/ft.

Optical System

Direct/Indirect: Constructed of 96% reflective white steel to produce a direct/indirect distribution. Baffles are white blades spaced 2-7/16" apart and are 3/4" deep (18 cells per 4ft section). Perforation of baffles and housing is optional. Perforated housing options include acrylic overlay. Optional field-installable Variable Optics kits provide additional downlight as required.

Semi-Indirect: Constructed of 96% reflective white steel with perforated housing and acrylic overlay to produce a semi-indirect distribution. Perforated housing available in round or slot perforation patterns.

Indirect: Constructed of 96% reflective white steel to produce an indirect distribution.

High performance options use additional highly-specular aluminum reflectors.

Endcaps

Die-cast endcap or optional die-cast sculptured endcap.

Joints

Self-aligning joining system with hands-free pre-joining wire access.

Mounting

Aircraft cable gripper is tamper-resistant and provides infinite vertical adjustment capability. Aircraft cable, crimp and cable gripper independently tested to meet stringent safety requirements.

Electrical

Factory pre-wired to section ends with quick-wire connectors.

Ballast

Electronic.

Approvals

Certified to UL and CSA standards.

Finish

High-quality powder coat. Available in Ledalite Standard White (textured matte finish), and a selection of other factory and customer-specified colors. Consult factory for details.