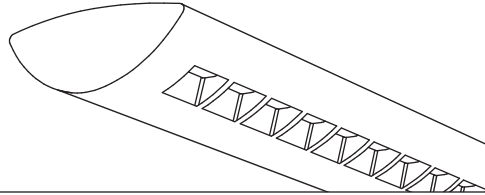


# Centris®



Suspended  
 Direct/Indirect (High Performance)  
 2 T5HO - Solid Housing



Project Name

Spec Type

Notes



## Order Guide

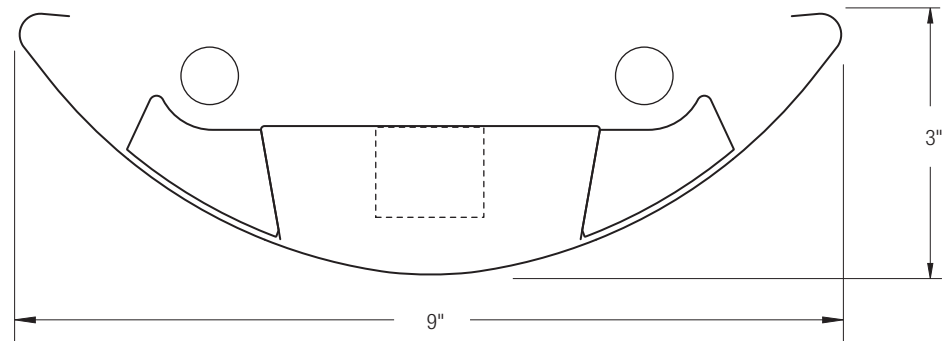
Some combinations of product options may not be available. Consult factory for assistance with your specification.

<b>9507</b>	<b>H02</b>			-		-		-	
<b>Product Series &amp; Type</b> Centris Direct/Indirect (High Performance)	<b>Lamping</b> 2 T5HO	<b>Lower Optics</b> C Solid Baffle R Round Perf Baffle	<b>Upper Optics</b> N None	<b>Run Length</b> <i>Enter the total run length in feet (4ft increments)</i>	<b>Wiring</b> 1 1 cct 2 2 cct 3 1 cct w/ Emergency cct 4 2 cct w/ Emergency cct 5 1 cct w/ Battery Pack 6 2 cct w/ Battery Pack 7 1 cct Dimming	<b>Voltage</b> 1 120V 2 277V 3 347V	<b>Ballast</b> E Standard Ballast  Consult website for ballast manufacturer information	<b>Color &amp; Finish</b> W Standard White C Factory Color X Custom Color  Consult website for color and finish options	
		See details on reverse	See details on reverse	See details on reverse	Consult website for complete list of standard wiring options				
<b>Mounting Hardware</b>									
<input type="text"/>									
<b>Mount Type</b> Consult separate mounting spec sheet for mount type options						<b>Suspension Length</b> <i>Enter distance from ceiling to top of fixture in inches</i>			

## Upgrades & Accessories

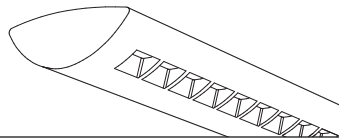
Please indicate with check mark.

<input type="checkbox"/> Lamps Included	<input checked="" type="checkbox"/> Lamps Included and Installed
<input type="checkbox"/> Sculptured Endcap See details on reverse	
<input type="checkbox"/> Response Daylight (Integrated Controls) For details visit <a href="http://www.ledalite.com/response">www.ledalite.com/response</a>	



# Centris®

Suspended  
Direct/Indirect (High Performance)  
2 T5HO - Solid Housing



## Photometry Optics CN Solid Baffle

### Report Summary

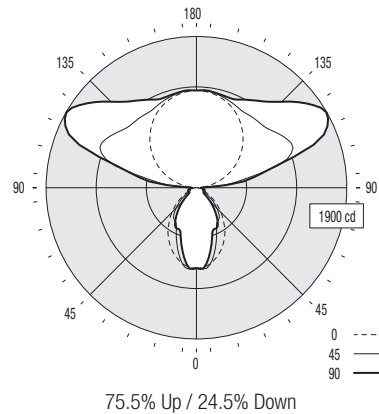
**Report #** 2101642  
**Filename** 9507H02CN-RN.ies  
**Efficiency** 82.8%

**Peak Candela Value\*** 1895 @ 120°  
**Peak to Zenith Ratio\*** 1.6 : 1

\* Between 90-180° vertical angle

### Candela Distribution

Vertical Angle	Horizontal Angle					Zonal Lumens
	0	22.5	45	67.5	90	
0	1011	1011	1011	1011	1011	
5	1003	1009	1024	1014	1018	96
15	923	938	862	746	735	235
25	792	740	603	554	568	297
35	627	524	489	463	450	313
45	438	356	367	265	251	258
55	263	273	195	107	106	173
65	123	136	84	101	109	111
75	56	55	79	96	105	82
85	17	34	55	61	66	54
90	6	31	45	55	54	
95	76	215	350	318	379	305
105	268	638	1061	978	1022	877
115	474	687	1323	1716	1826	1195
125	663	778	1217	1674	1807	1099
135	833	888	1142	1432	1527	901
145	978	1007	1126	1289	1335	720
155	1095	1110	1148	1197	1221	536
165	1173	1184	1194	1203	1209	337
175	1215	1217	1222	1227	1229	119
180	1221	1221	1221	1221	1221	



### Coefficients of Utilization (%)

Ceiling: Walk:	80				70				50				0
	70	50	30	10	70	50	30	50	30	10	0		
0 RCR	83	83	83	83	73	73	73	55	55	55	17		
1	75	72	69	66	67	64	61	48	47	45	14		
2	69	63	58	54	61	56	52	43	40	38	12		
3	63	56	50	45	55	49	45	38	35	32	11		
4	58	49	43	38	51	44	39	34	30	27	9		
5	53	44	38	33	47	39	34	30	26	24	8		
6	49	39	33	28	43	35	30	27	23	21	8		
7	45	35	29	25	40	32	26	25	21	18	7		
8	42	32	26	22	37	29	23	22	19	16	6		
9	39	29	23	19	34	26	21	20	17	14	6		
10	36	27	21	17	32	24	19	19	15	13	5		

Based on a floor reflectance of 0.2

### Avg. Luminance (cd/m<sup>2</sup>)

Vertical Angle	Horizontal Angle		
	0	45	90
55	1869	1013	496
65	1186	522	591
75	882	635	701
85	795	653	599

IES files for this and other photometric options can be downloaded online at [www.ledalite.com](http://www.ledalite.com)

## Additional Information

### Modules

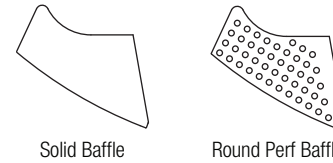
Module length excludes endcaps.  
Nominal mount spacing for individually mounted modules.

Module	Mount Spacing
4ft	4' 0"
8ft	8' 0"
12ft	12' 0"

### Endcap



### Lower Optics



## Specifications

Due to continuing product improvements, Ledalite reserves the right to change specifications without notice.

### Housing

Die-formed 20 gauge cold-rolled steel.

### Weight

3.0 lb/ft.

### Optical System

Direct/Indirect: Constructed of 96% reflective white steel to produce a direct/indirect distribution. Baffles are white blades spaced 2-7/16" apart and are 3/4" deep (18 cells per 4ft section). Perforation of baffles and housing is optional. Perforated housing options include acrylic overlay. Optional field-installable Variable Optics kits provide additional downlight as required.

Semi-Indirect: Constructed of 96% reflective white steel with perforated housing and acrylic overlay to produce a semi-indirect distribution. Perforated housing available in round or slot perforation patterns.

Indirect: Constructed of 96% reflective white steel to produce an indirect distribution.

High performance options use additional highly-specular aluminum reflectors.

### Endcaps

Die-cast endcap or optional die-cast sculptured endcap.

### Joints

Self-aligning joining system with hands-free pre-joining wire access.

### Mounting

Aircraft cable gripper is tamper-resistant and provides infinite vertical adjustment capability. Aircraft cable, crimp and cable gripper independently tested to meet stringent safety requirements.

### Electrical

Factory pre-wired to section ends with quick-wire connectors.

### Ballast

Electronic.

### Approvals

Certified to UL and CSA standards.

### Finish

High-quality powder coat. Available in Ledalite Standard White (textured matte finish), and a selection of other factory and customer-specified colors. Consult factory for details.