

Centris®



Suspended
 Direct/Indirect (High Performance)
 1 T5HO - Perf Housing



Project Name

Spec Type

Notes



Order Guide

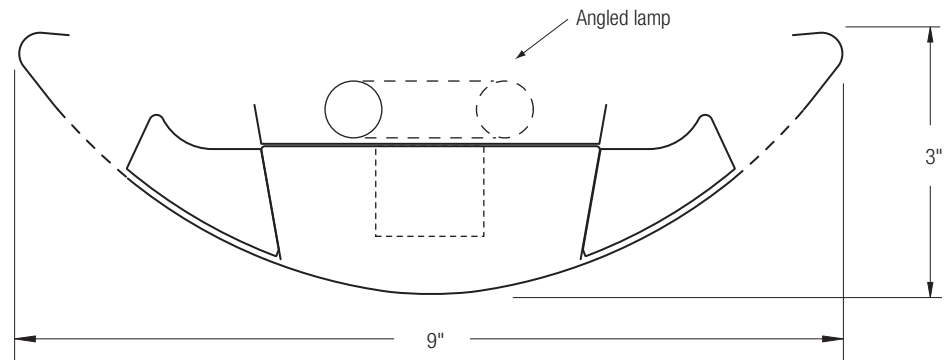
Some combinations of product options may not be available. Consult factory for assistance with your specification.

9507	H01			-		-		-		
Product Series & Type Centris Direct/Indirect (High Performance)	Lamping 1 T5HO	Lower Optics M Round Perf Housing / Solid Baffle T Round Perf Housing / Round Perf Baffle U Slot Perf Housing / Solid Baffle Z Slot Perf Housing / Round Perf Baffle	Upper Optics N None	Run Length <i>Enter the total run length in feet (4ft increments)</i>	Wiring 1 1 cct 3 1 cct w/ Emergency cct 5 1 cct w/ Battery Pack 7 1 cct Dimming	Voltage 1 120V 2 277V 3 347V	Ballast E Standard Ballast Consult website for ballast manufacturer information	Color & Finish W Standard White C Factory Color X Custom Color Consult website for color and finish options	Mounting Hardware	
		See details on reverse	See details on reverse	See details on reverse	Consult website for complete list of standard wiring options	Consult separate mounting spec sheet for mount type options				
						Mount Type		Suspension Length <i>Enter distance from ceiling to top of fixture in inches</i>		

Upgrades & Accessories

Please indicate with check mark.

<input type="checkbox"/> Lamps Included	<input checked="" type="checkbox"/> Lamps Included and Installed
<input type="checkbox"/> Sculptured Endcap See details on reverse	
<input type="checkbox"/> Response Daylight (Integrated Controls) For details visit www.ledalite.com/response	



Centris®

Suspended
Direct/Indirect (High Performance)
1 T5HO - Perf Housing



Photometry Optics TN Round Perf Housing / Round Perf Baffle

Report Summary

Report # 2101666
Filename 9507H01MN-TN.ies
Efficiency 86.5%

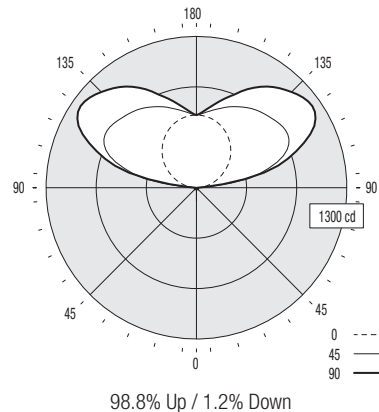
Peak Candela Value* 1223 @ 125°
Peak to Zenith Ratio* 2 : 1

* Between 90-180° vertical angle

Meets RP-1-04 recommendations for VDT-Intensive spaces

Candela Distribution

Vertical Angle	Horizontal Angle					Zonal Lumens
	0	22.5	45	67.5	90	
0	3	3	3	3	3	
5	3	3	3	3	3	0
15	3	3	4	4	4	0
25	3	4	5	6	7	3
35	3	4	6	11	14	5
45	3	4	10	16	20	8
55	3	5	11	9	10	8
65	3	6	7	8	9	8
75	2	4	6	6	7	4
85	2	3	5	6	6	5
90	3	5	7	8	10	
95	47	161	132	42	72	144
105	131	424	647	685	729	565
115	229	508	881	1033	1085	756
125	330	552	912	1155	1223	758
135	419	587	873	1092	1163	648
145	495	621	830	999	1062	506
155	557	637	769	874	913	349
165	600	638	700	753	768	197
175	622	629	642	654	656	63
180	624	624	624	624	624	



Coefficients of Utilization (%)

Ceiling: Wall:	80				70				50				0
	70	50	30	10	70	50	30	10	50	30	10	0	
0 RCR	82	82	82	82	70	70	70	48	48	48	0		
1	74	71	68	65	63	61	58	42	40	39	0		
2	68	62	57	53	58	53	49	36	34	32	0		
3	61	54	48	44	52	46	42	32	29	27	0		
4	56	48	41	37	48	41	36	28	25	22	0		
5	51	42	36	31	43	36	31	25	21	19	0		
6	47	37	31	26	40	32	27	22	19	16	0		
7	43	33	27	23	37	29	23	20	16	14	0		
8	40	30	24	20	34	26	21	18	14	12	0		
9	37	27	21	17	31	23	18	16	13	10	0		
10	34	24	19	15	29	21	16	15	11	9	0		

Based on a floor reflectance of 0.2

Avg. Luminance (cd/m²)

Vertical Angle	Horizontal Angle		
	0	45	90
55	21	57	47
65	29	44	49
75	31	48	47
85	94	59	54

IES files for this and other photometric options can be downloaded online at www.ledalite.com

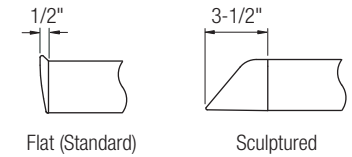
Additional Information

Modules

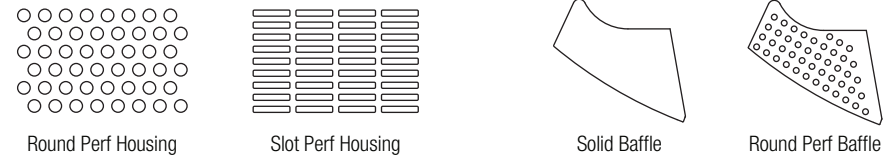
Module length excludes endcaps.
Nominal mount spacing for individually mounted modules.

Module	Mount Spacing
4ft	4' 0"
8ft	8' 0"
12ft	12' 0"

Endcap



Lower Optics



Specifications

Due to continuing product improvements, Ledalite reserves the right to change specifications without notice.

Housing

Die-formed 20 gauge cold-rolled steel.

Weight

3.0 lb/ft.

Optical System

Direct/Indirect: Constructed of 96% reflective white steel to produce a direct/indirect distribution. Baffles are white blades spaced 2-7/16" apart and are 3/4" deep (18 cells per 4ft section). Perforation of baffles and housing is optional. Perforated housing options include acrylic overlay. Optional field-installable Variable Optics kits provide additional downlight as required.

Semi-Indirect: Constructed of 96% reflective white steel with perforated housing and acrylic overlay to produce a semi-indirect distribution. Perforated housing available in round or slot perforation patterns.

Indirect: Constructed of 96% reflective white steel to produce an indirect distribution.

High performance options use additional highly-specular aluminum reflectors.

Endcaps

Die-cast endcap or optional die-cast sculptured endcap.

Joints

Self-aligning joining system with hands-free pre-joining wire access.

Mounting

Aircraft cable gripper is tamper-resistant and provides infinite vertical adjustment capability. Aircraft cable, crimp and cable gripper independently tested to meet stringent safety requirements.

Electrical

Factory pre-wired to section ends with quick-wire connectors.

Ballast

Electronic.

Approvals

Certified to UL and CSA standards.

Finish

High-quality powder coat. Available in Ledalite Standard White (textured matte finish), and a selection of other factory and customer-specified colors. Consult factory for details.