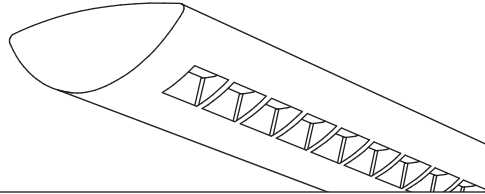


# Centris®



Suspended  
 Direct/Indirect (High Performance)  
 1 T5HO - Solid Housing



Project Name

Spec Type

Notes



## Order Guide

Some combinations of product options may not be available. Consult factory for assistance with your specification.

<b>9507</b>	<b>H01</b>			-		-		-	
<b>Product Series &amp; Type</b> Centris Direct/Indirect (High Performance)	<b>Lamping</b> 1 T5HO	<b>Lower Optics</b> C Solid Baffle R Round Perf Baffle	<b>Upper Optics</b> N None	<b>Run Length</b> <i>Enter the total run length in feet (4ft increments)</i>	<b>Wiring</b> 1 1 cct 3 1 cct w/ Emergency cct 5 1 cct w/ Battery Pack 7 1 cct Dimming	<b>Voltage</b> 1 120V 2 277V 3 347V	<b>Ballast</b> E Standard Ballast  Consult website for ballast manufacturer information	<b>Color &amp; Finish</b> W Standard White C Factory Color X Custom Color  Consult website for color and finish options	
		See details on reverse	See details on reverse	See details on reverse	Consult website for complete list of standard wiring options				

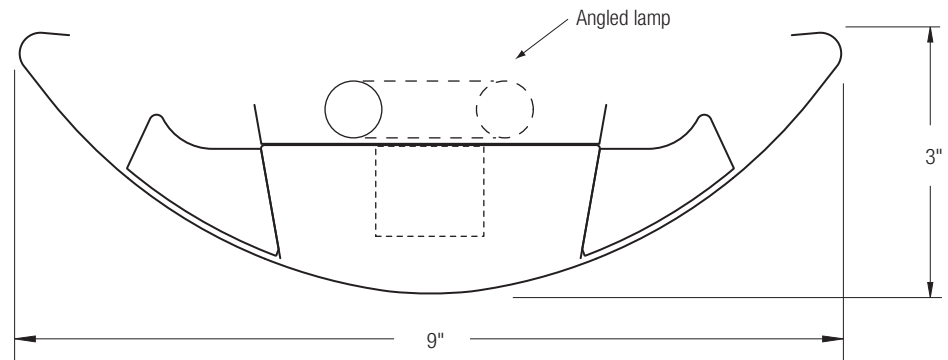
### Mounting Hardware

<input type="text"/>	<input type="text"/>
<b>Mount Type</b> Consult separate mounting spec sheet for mount type options	<b>Suspension Length</b> <i>Enter distance from ceiling to top of fixture in inches</i>

## Upgrades & Accessories

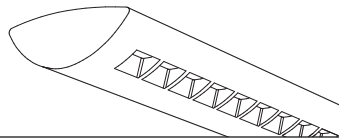
Please indicate with check mark.

<input type="checkbox"/> Lamps Included	<input checked="" type="checkbox"/> Lamps Included and Installed
<input type="checkbox"/> Sculptured Endcap See details on reverse	
<input type="checkbox"/> Response Daylight (Integrated Controls) For details visit <a href="http://www.ledalite.com/response">www.ledalite.com/response</a>	



# Centris®

Suspended  
Direct/Indirect (High Performance)  
1 T5HO - Solid Housing



## Photometry Optics RN Round Perf Baffle

### Report Summary

**Report #** 2101683  
**Filename** 9507H01CN-RN.ies  
**Efficiency** 91.5%

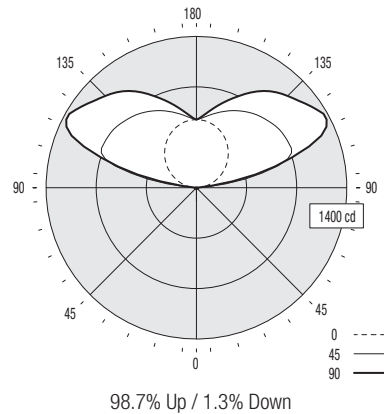
**Peak Candela Value\*** 1367 @ 120°  
**Peak to Zenith Ratio\*** 2.2 : 1

\* Between 90-180° vertical angle

Meets RP-1-04 recommendations for VDT-Intensive spaces

### Candela Distribution

Vertical Angle	Horizontal Angle					Zonal Lumens
	0	22.5	45	67.5	90	
0	1	1	1	1	1	
5	1	1	1	2	1	0
15	1	1	2	5	3	0
25	1	2	2	10	7	3
35	1	2	3	14	10	4
45	1	2	4	17	15	7
55	1	3	5	21	17	8
65	1	3	5	18	14	8
75	1	4	5	15	10	8
85	1	3	4	15	11	8
90	2	3	4	11	8	
95	47	133	96	14	21	123
105	134	457	789	730	754	624
115	232	523	954	1259	1336	861
125	330	569	941	1217	1308	794
135	418	603	901	1130	1201	666
145	496	636	851	1031	1093	520
155	560	649	788	896	937	358
165	604	647	715	770	790	202
175	627	635	649	663	667	64
180	630	630	630	630	630	



### Coefficients of Utilization (%)

Ceiling: Walk:	80				70				50				0
	70	50	30	10	70	50	30	10	50	30	10	0	
0 RCR	86	86	86	86	74	74	74	51	51	51	0		
1	79	75	72	69	67	64	61	44	42	41	0		
2	71	65	60	56	61	56	52	38	36	34	0		
3	65	57	51	46	55	49	44	34	30	28	0		
4	59	50	44	39	50	43	38	30	26	23	0		
5	54	44	38	33	46	38	32	26	23	20	0		
6	49	39	33	28	42	34	28	23	20	17	0		
7	45	35	29	24	39	30	25	21	17	15	0		
8	42	32	25	21	36	27	22	19	15	13	0		
9	39	29	22	18	33	25	19	17	13	11	0		
10	36	26	20	16	31	22	17	15	12	10	0		

Based on a floor reflectance of 0.2

### Avg. Luminance (cd/m²)

Vertical Angle	Horizontal Angle		
	0	45	90
55	7	26	80
65	10	31	76
75	16	40	67
85	47	47	100

IES files for this and other photometric options can be downloaded online at [www.ledalite.com](http://www.ledalite.com)

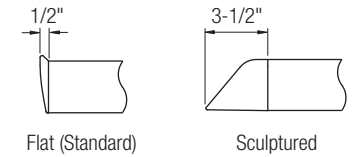
## Additional Information

### Modules

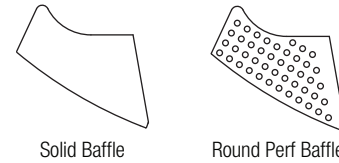
Module length excludes endcaps.  
Nominal mount spacing for individually mounted modules.

Module	Mount Spacing
4ft	4' 0"
8ft	8' 0"
12ft	12' 0"

### Endcap



### Lower Optics



## Specifications

Due to continuing product improvements, Ledalite reserves the right to change specifications without notice.

### Housing

Die-formed 20 gauge cold-rolled steel.

### Weight

3.0 lb/ft.

### Optical System

Direct/Indirect: Constructed of 96% reflective white steel to produce a direct/indirect distribution. Baffles are white blades spaced 2-7/16" apart and are 3/4" deep (18 cells per 4ft section). Perforation of baffles and housing is optional. Perforated housing options include acrylic overlay. Optional field-installable Variable Optics kits provide additional downlight as required.

Semi-Indirect: Constructed of 96% reflective white steel with perforated housing and acrylic overlay to produce a semi-indirect distribution. Perforated housing available in round or slot perforation patterns.

Indirect: Constructed of 96% reflective white steel to produce an indirect distribution.

High performance options use additional highly-specular aluminum reflectors.

### Endcaps

Die-cast endcap or optional die-cast sculptured endcap.

### Joints

Self-aligning joining system with hands-free pre-joining wire access.

### Mounting

Aircraft cable gripper is tamper-resistant and provides infinite vertical adjustment capability. Aircraft cable, crimp and cable gripper independently tested to meet stringent safety requirements.

### Electrical

Factory pre-wired to section ends with quick-wire connectors.

### Ballast

Electronic.

### Approvals

Certified to UL and CSA standards.

### Finish

High-quality powder coat. Available in Ledalite Standard White (textured matte finish), and a selection of other factory and customer-specified colors. Consult factory for details.