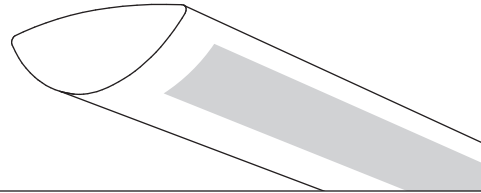


Centris®



Suspended
Semi-Indirect (High Performance)
1 T5HO



Project Name

Spec Type

Notes



Order Guide

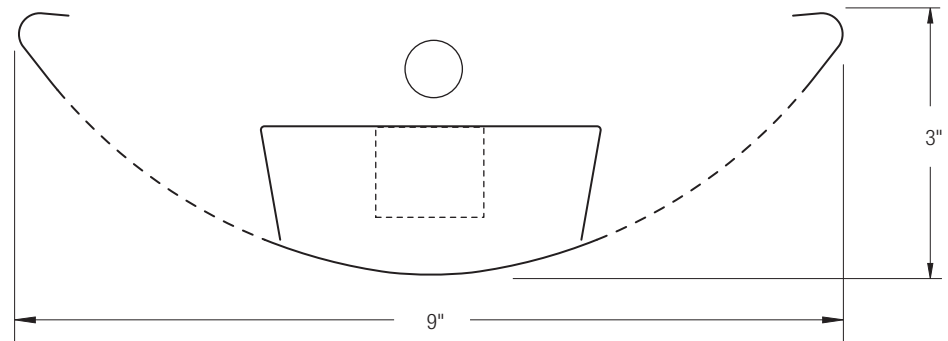
Some combinations of product options may not be available. Consult factory for assistance with your specification.

9504	H01			-		-		-	
Product Series & Type Centris Semi-Indirect (High Performance)	Lamping 1 T5HO	Lower Optics L Round Perf Housing I Slot Perf Housing	Upper Optics N None	Run Length <i>Enter the total run length in feet (4ft increments)</i>	Wiring 1 1 cct 3 1 cct w/ Emergency cct 5 1 cct w/ Battery Pack 7 1 cct Dimming	Voltage 1 120V 2 277V 3 347V	Ballast E Standard Ballast Consult website for ballast manufacturer information	Color & Finish W Standard White C Factory Color X Custom Color Consult website for color and finish options	
		See details on reverse	See details on reverse	See details on reverse	Consult website for complete list of standard wiring options				
Mounting Hardware									
				Mount Type	Suspension Length <i>Enter distance from ceiling to top of fixture in inches</i>				
				Consult separate mounting spec sheet for mount type options					

Upgrades & Accessories

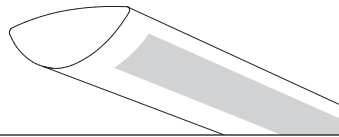
Please indicate with check mark.

<input type="checkbox"/> Lamps Included	<input checked="" type="checkbox"/> Lamps Included and Installed
<input type="checkbox"/> Sculptured Endcap See details on reverse	
<input type="checkbox"/> Response Daylight (Integrated Controls) For details visit www.ledalite.com/response	



Centris®

Suspended
Semi-Indirect (High Performance)
1 T5HO



Photometry Optics LN Round Perf Housing

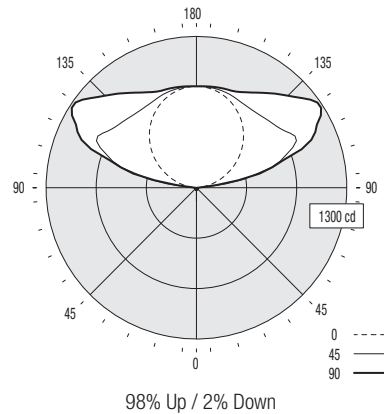
Report Summary

Report # 9900198 **Peak Candela Value*** 1278 @ 123°
Filename 9504H01LN.ies **Peak to Zenith Ratio*** 1.5 : 1
Efficiency 91.3% * Between 90-180° vertical angle

Meets RP-1-04 recommendations for VDT-Intensive spaces

Candela Distribution

Vertical Angle	Horizontal Angle					Zonal Lumens
	0	22.5	45	67.5	90	
0	18	18	18	18	18	
5	18	17	18	18	18	2
15	17	17	18	19	19	5
25	16	16	18	19	19	8
35	14	14	16	17	17	9
45	10	12	14	15	16	12
55	7	10	12	14	15	12
65	5	7	10	12	12	9
75	5	5	7	9	10	8
85	3	3	6	7	8	6
90	2	4	7	9	9	
95	37	133	92	41	35	129
105	157	476	668	653	679	574
115	297	512	954	1073	1134	800
125	443	560	886	1190	1277	780
135	573	636	841	1051	1118	655
145	685	721	823	952	996	524
155	773	793	837	887	907	388
165	835	842	862	879	884	244
175	867	868	871	874	875	84
180	871	871	871	871	871	



Coefficients of Utilization (%)

Ceiling:	80				70				50				0
	70	50	30	10	70	50	30	10	50	30	10	0	
0 RCR	86	86	86	86	74	74	74	51	51	51	1	1	
1	78	75	71	68	67	64	61	44	42	41	1	1	
2	71	65	60	56	61	56	52	38	36	34	0	0	
3	65	57	51	46	55	49	44	34	31	28	0	0	
4	59	50	44	39	50	43	38	30	26	24	0	0	
5	54	44	38	33	46	38	32	26	23	20	0	0	
6	49	39	33	28	42	34	28	23	20	17	0	0	
7	45	35	29	24	39	30	25	21	17	15	0	0	
8	42	32	25	21	36	27	22	19	15	13	0	0	
9	39	29	22	18	33	25	19	17	14	11	0	0	
10	36	26	20	16	31	22	17	15	12	10	0	0	

Based on a floor reflectance of 0.2

Avg. Luminance (cd/m²)

Vertical Angle	Horizontal Angle		
	0	45	90
55	48	66	76
65	47	68	73
75	76	64	79
85	136	90	94

IES files for this and other photometric options can be downloaded online at www.ledalite.com

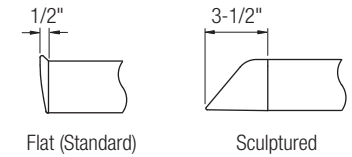
Additional Information

Modules

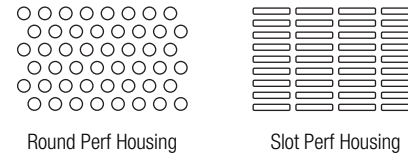
Module length excludes endcaps.
Nominal mount spacing for individually mounted modules.

Module	Mount Spacing
4ft	4' 0"
8ft	8' 0"
12ft	12' 0"

Endcap



Lower Optics



Specifications

Due to continuing product improvements, Ledalite reserves the right to change specifications without notice.

Housing

Die-formed 20 gauge cold-rolled steel.

Weight

3.0 lb/ft.

Optical System

Direct/Indirect: Constructed of 96% reflective white steel to produce a direct/indirect distribution. Baffles are white blades spaced 2-7/16" apart and are 3/4" deep (18 cells per 4ft section). Perforation of baffles and housing is optional. Perforated housing options include acrylic overlay. Optional field-installable Variable Optics kits provide additional downlight as required.

Semi-Indirect: Constructed of 96% reflective white steel with perforated housing and acrylic overlay to produce a semi-indirect distribution. Perforated housing available in round or slot perforation patterns.

Indirect: Constructed of 96% reflective white steel to produce an indirect distribution.

High performance options use additional highly-specular aluminum reflectors.

Endcaps

Die-cast endcap or optional die-cast sculptured endcap.

Joints

Self-aligning joining system with hands-free pre-joining wire access.

Mounting

Aircraft cable gripper is tamper-resistant and provides infinite vertical adjustment capability. Aircraft cable, crimp and cable gripper independently tested to meet stringent safety requirements.

Electrical

Factory pre-wired to section ends with quick-wire connectors.

Ballast

Electronic.

Approvals

Certified to UL and CSA standards.

Finish

High-quality powder coat. Available in Ledalite Standard White (textured matte finish), and a selection of other factory and customer-specified colors. Consult factory for details.