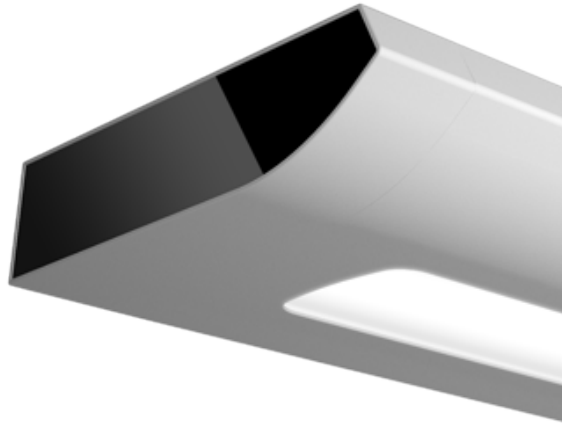




# Linear

## BoldPlay wall

4400 lm/4ft 65% Up, Asym.  
3000/3500/4000K



Project: \_\_\_\_\_  
Spec Type: \_\_\_\_\_  
Catalog No: 7808LxCQN  
Qty \_\_\_\_\_  
Line Notes: \_\_\_\_\_

Brilliant design and intuitive engineering fearlessly combine to deliver unprecedented performance. BoldPlay's striking contrast of effortless style and urban edginess makes a distinctive statement in any space. Available tunable white technology gives you the ability to vary color temperature and intensity, harmonizing lighting with your daily life.

### Ordering guide

Product Type	Source	Color Temp *	Lumens *	Lower Optics	Upper Optics	Run Length	Wiring †	Voltage	Driver	Finish
7808	L		C	Q	N					
BoldPlay Wall Direct/Ind	L LED	A 4000K B 3500K C 3000K	C 4400 lm/4ft E 3400 lm/4ft G 2300 lm/4ft	Q MesoOptics Lens	N Lightguide	04 4' 08 8' XX Total run length (4' increments)	7 1 cct Dimming E 2 cct A/B Dimming (Alt. 4ft) M 1 cct Dimming + EM Wiring N 1 cct Dimming + EM Batt. Pack	1 120V 2 277V 3 347V	E Philips Advance 0-10V (1% dim)	W Standard White T Titanium Silver B Black C Custom

\* Nominal values within a range. Down kits reduce output & efficacy. Consult photometry data for CRI, color temp, lumens & distribution of chosen configuration.

† Not all wiring types are available with all configurations. Consult Philips Ledalite for a complete list of available options.

### Mounting Hardware

**Mount Type**  
Consult separate mounting spec sheet for mount type options:  
**Ledalite Suspended Mounting Options**

Endcaps -

Solid flat



# BoldPlay wall

4400 lm/4ft 65% Up, Asym.

3000/3500/4000K

## Optical System

The optical system contains arrays of LEDs edge-lighting a low profile light-guide panel, using total internal reflection to homogenize the sources. The microstructured surface of the panel optimizes light extraction to create an efficacious direct/indirect distribution. Light is purified and controlled by MesoOptics film as it passes through a non-glare acrylic lens. Standard distribution is 75% up / 25% down for suspended and 65% up / 35% down for wall mount version.

## Endcaps

Diecast aluminum endcaps finished with a textured matte powder coat to match the luminaire.

**Suspended:** Available in sculpted (standard) & solid flat.

**Wall:** Available with solid flat only.

## Finish

Standard finish is a textured matte powder coat in white, black or titanium silver. Custom colors available upon request. White sensors only.

## Housing

Precision formed 18 gauge cold-rolled steel.

## Weight

Maximum: Suspended 3.75lb/ft & Wall 3.0lb/ft.

## Electrical

Factory pre-wired to section ends with quick-wire connectors.

## Standard Drivers

Philips Advance Xitanium 0-10V, 1-100%.

Philips Advance Xitanium Sensor Ready, 5-100%.

Class 2 rated output. Consult Philips Ledalite for other available drivers.

## Standard Battery Pack

Philips Bodine, 90 min, 10W, Class 2 rated output, Emergency lumen output = 10W x luminaire efficacy x 1.1. Typical output: 1100lm.

## Lumen Maintenance

LEDs have been tested by the manufacturer in accordance with IESNA LM-80-08. At an ambient temperature of 25°C, the LED lumen maintenance expectation according to IES TM-21-11 is: L80 (12k) >72,000 hrs (**Reported** methodology).

## Source Color

LEDs rated for color rendering CRI >80 and fixture to fixture color accuracy within 2 SDCM.

## Controls

Certain configurations available with: Response Daylight Sensors SpaceWise DT Occupancy & Daylight Sensors w/ advanced grouping & Dwell Time.

\*SpaceWise DT commissioning is via a compatible Android phone and Philips Field App. Compatible wireless dimming wall switches are available for dimming. 347V is not available as a standard option. For more information, please refer to [www.philips.com/spacewise](http://www.philips.com/spacewise)

## Mounting

**Suspended:** Tamper-resistant aircraft cable gripper provides unlimited vertical adjustment. Aircraft cable, crimp and cable gripper are independently tested to meet stringent safety requirements.

**Wall:** Fixture is mounted flush to wall using hidden wall brackets which attach to existing structure, variable within 2"-5" of end or joint.

## Joints

Self-aligning joining system with hands-free pre-joining wire access.

## Approvals

Certified to UL, CSA and IES standards.

Certain suspended versions without down kits are DesignLights Consortium® qualified. Please see the DLC QPL list for exact catalog numbers ([www.designlights.org/QPL](http://www.designlights.org/QPL)).

## Warranty

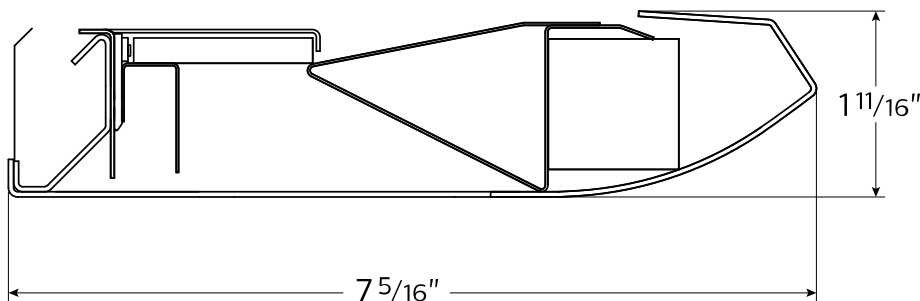
Philips indoor professional luminaires 5 year LED warranty: [www.philips.com/warranties](http://www.philips.com/warranties).

## Environment

Rated for dry or damp locations in operating ambient temperatures 0-40°C (32-104°F). Certain luminaire components may be adversely affected by contaminants. Damage caused by sulfur, chlorine, petroleum based solutions or other contaminants are not covered under warranty. Not suitable for natatorium environments.

Due to continuing product improvements, Philips Ledalite reserves the right to change the specifications without notice.

## Dimensions - Cross Section



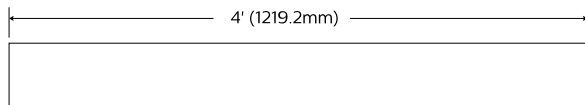
# BoldPlay wall

4400 lm/4ft 65% Up, Asym.

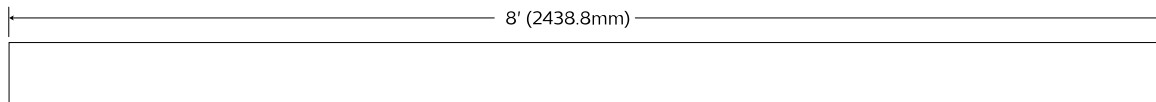
3000/3500/4000K

## Dimensions - Modules

Module length excludes end caps. Nominal mounting spacing for individually mounted modules.



4 ft.

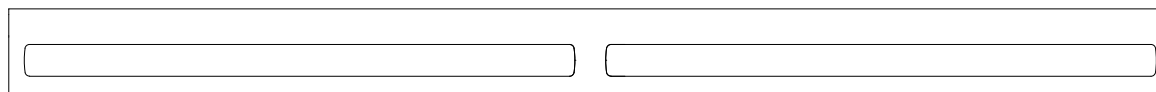


8 ft.

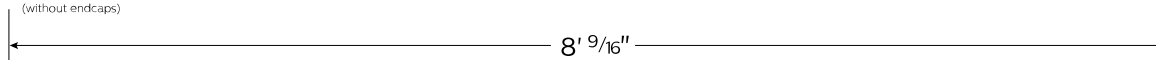
Note: Refer to installation instructions for exact mount.

## Optics and Styles

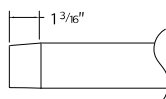
Lens view



Wall  
(without endcaps)



End caps



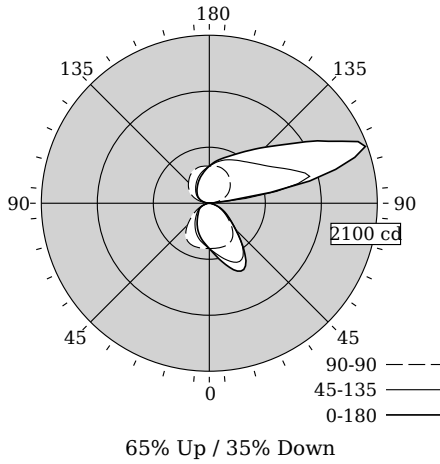
Flat

# BoldPlay wall

4400 lm/4ft 65% Up, Asym.

3000/3500/4000K

## Photometry @ CRI>80, 3500K



## Candela Distribution

Vertical Angle	Horizontal Angle				Zonal Lumens
	0	45	90	135	
0	566	566	566	566	566
5	629	609	566	531	518
15	795	719	570	471	434
25	935	814	562	396	348
35	775	740	510	312	264
45	465	477	387	236	199
55	285	281	250	178	160
65	166	160	146	127	119
75	64	62	59	59	59
85	12	12	12	20	21
90	0	0	0	0	0
95	45	76	37	21	25
105	1635	1299	148	90	84
115	1834	1029	244	150	141
125	1310	828	312	199	182
135	992	719	367	242	219
145	793	650	420	289	260
155	660	600	453	342	311
165	574	549	471	393	365
175	502	490	467	439	430
180	465	465	465	465	465

Values per 4ft unit

Fixture photometry has been conducted in accordance with IESNA LM-79-08

IES files for this and other photometric options can be downloaded online at [www.lightingproducts.philips.com](http://www.lightingproducts.philips.com)

## Coefficients of Utilization (%)

RCR	Ceiling											
	70	50	30	10	70	50	30	10	50	30	10	0
0	104	104	104	104	94	94	94	75	75	75	35	35
1	95	91	87	84	86	82	79	66	64	62	30	30
2	86	79	74	69	78	72	67	58	55	52	26	26
3	79	70	63	58	71	64	58	52	47	44	22	22
4	72	62	55	49	65	57	50	46	41	38	19	19
5	66	55	48	42	60	50	44	41	36	32	17	17
6	61	50	42	36	55	45	38	37	32	28	15	15
7	57	45	37	32	51	41	34	34	29	25	13	13
8	52	41	33	28	47	37	31	31	26	22	12	12
9	49	37	30	25	44	34	27	28	23	20	11	11
10	45	34	27	22	41	31	25	26	21	18	10	10

## Avg. Luminance (cd/m2)

Vertical Angle	Horizontal Angle		
	0	90	180
55	6431	5639	3612
65	5082	4484	3647
75	3222	2929	2929
85	1739	1739	3189

## Distribution

Hemisphere	65% Up / 35% Down
Peak/Zenith	4.47
Peak Output	2076 cd
Glare Control	Meets RP-1-12 recommendations for VDT-Critical spaces

# BoldPlay wall

4400 lm/4ft 65% Up, Asym.

3000/3500/4000K

## Optical Performance @ 120V

Nominal Spec:	3000K	3500K	4000K
Flux (lm)	4198	4384	4508
Efficacy (lm/W)	95.0	99.6	102.7
Power (W)	44.2	44.0	43.9
CCT (K)	3045	3312	3931
CRI	84	82	83
R9	10	-1	5
x	0.4338	0.4167	0.3849
y	0.4031	0.3968	0.3837
Duv	0.0000	0.0000	0.0020

## Electrical Performance @ CRI>80, 3500K

Input Voltage	120V	277V	347V
Input Power	44.0W	43.8W	44.3W
Input Current	0.37A	0.16A	0.13A
Power Factor	0.993	0.972	0.970
Total Harm. Distortion	8.0%	10.3%	9.0%

Tested values – contact technical support for rated values. Off-state power zero unless certain controls are specified.

