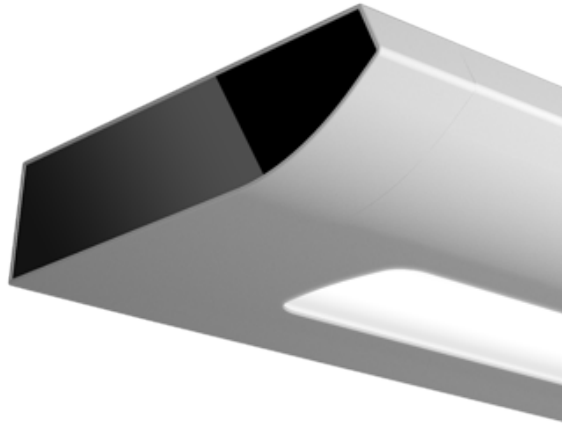




# Linear

## BoldPlay wall

3400 lm/4ft 65% Up, Asym.  
3000/3500/4000K



Project: \_\_\_\_\_  
Spec Type: \_\_\_\_\_  
Catalog No: 7808LxEQN  
Qty \_\_\_\_\_  
Line Notes: \_\_\_\_\_

Brilliant design and intuitive engineering fearlessly combine to deliver unprecedented performance. BoldPlay's striking contrast of effortless style and urban edginess makes a distinctive statement in any space. Available tunable white technology gives you the ability to vary color temperature and intensity, harmonizing lighting with your daily life.

### Ordering guide

Product Type	Source	Color Temp *	Lumens *	Lower Optics	Upper Optics	Run Length	Wiring †	Voltage	Driver	Finish
7808	L		E	Q	N					
BoldPlay Wall Direct/Ind	L LED	A 4000K B 3500K C 3000K	C 4400 lm/4ft E 3400 lm/4ft G 2300 lm/4ft	Q MesoOptics Lens	N Lightguide	04 4' 08 8' XX Total run length (4' increments)	7 1 cct Dimming E 2 cct A/B Dimming (Alt. 4ft) M 1 cct Dimming + EM Wiring N 1 cct Dimming + EM Batt. Pack	1 120V 2 277V 3 347V	E Philips Advance 0-10V (1% dim)	W Standard White T Titanium Silver B Black C Custom

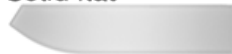
\* Nominal values within a range. Down kits reduce output & efficacy. Consult photometry data for CRI, color temp, lumens & distribution of chosen configuration.  
† Not all wiring types are available with all configurations. Consult Philips Ledalite for a complete list of available options.

### Mounting Hardware

**Mount Type**  
Consult separate mounting spec sheet for mount type options:  
**Ledalite Suspended Mounting Options**

Endcaps -

Solid flat



# BoldPlay wall

3400 lm/4ft 65% Up, Asym.

3000/3500/4000K

## Optical System

The optical system contains arrays of LEDs edge-lighting a low profile light-guide panel, using total internal reflection to homogenize the sources. The microstructured surface of the panel optimizes light extraction to create an efficacious direct/indirect distribution. Light is purified and controlled by MesoOptics film as it passes through a non-glare acrylic lens. Standard distribution is 75% up / 25% down for suspended and 65% up / 35% down for wall mount version.

## Endcaps

Diecast aluminum endcaps finished with a textured matte powder coat to match the luminaire.

**Suspended:** Available in sculpted (standard) & solid flat.

**Wall:** Available with solid flat only.

## Finish

Standard finish is a textured matte powder coat in white, black or titanium silver. Custom colors available upon request. White sensors only.

## Housing

Precision formed 18 gauge cold-rolled steel.

## Weight

Maximum: Suspended 3.75lb/ft & Wall 3.0lb/ft.

## Electrical

Factory pre-wired to section ends with quick-wire connectors.

## Standard Drivers

Philips Advance Xitanium 0-10V, 1-100%.

Philips Advance Xitanium Sensor Ready, 5-100%.

Class 2 rated output. Consult Philips Ledalite for other available drivers.

## Standard Battery Pack

Philips Bodine, 90 min, 10W, Class 2 rated output, Emergency lumen output = 10W x luminaire efficacy x 1.1. Typical output: 1100lm.

## Lumen Maintenance

LEDs have been tested by the manufacturer in accordance with IESNA LM-80-08. At an ambient temperature of 25°C, the LED lumen maintenance expectation according to IES TM-21-11 is: L80 (12k) >72,000 hrs (**Reported** methodology).

## Source Color

LEDs rated for color rendering CRI >80 and fixture to fixture color accuracy within 2 SDCM.

## Controls

Certain configurations available with:  
Response Daylight Sensors  
SpaceWise DT Occupancy & Daylight Sensors w/  
advanced grouping & Dwell Time.

\*SpaceWise DT commissioning is via a compatible Android phone and Philips Field App. Compatible wireless dimming wall switches are available for dimming. 347V is not available as a standard option. For more information, please refer to [www.philips.com/spacewisec](http://www.philips.com/spacewisec)

## Mounting

**Suspended:** Tamper-resistant aircraft cable gripper provides unlimited vertical adjustment. Aircraft cable, crimp and cable gripper are independently tested to meet stringent safety requirements.

**Wall:** Fixture is mounted flush to wall using hidden wall brackets which attach to existing structure, variable within 2"-5" of end or joint.

## Joints

Self-aligning joining system with hands-free pre-joining wire access.

## Approvals

Certified to UL, CSA and IES standards.

Certain suspended versions without down kits are DesignLights Consortium® qualified. Please see the DLC QPL list for exact catalog numbers ([www.designlights.org/QPL](http://www.designlights.org/QPL)).

## Warranty

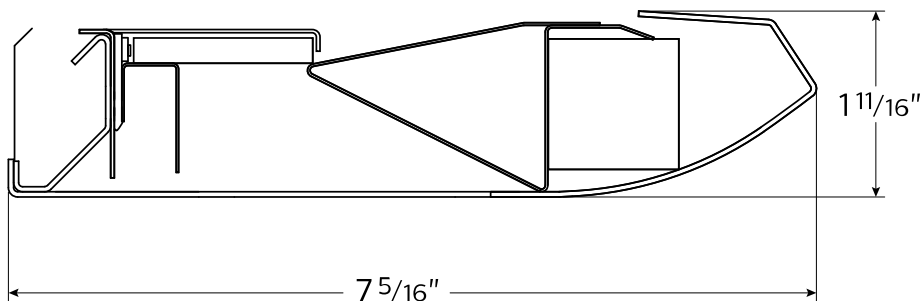
Philips indoor professional luminaires 5 year LED warranty: [www.philips.com/warranties](http://www.philips.com/warranties).

## Environment

Rated for dry or damp locations in operating ambient temperatures 0-40°C (32-104°F). Certain luminaire components may be adversely affected by contaminants. Damage caused by sulfur, chlorine, petroleum based solutions or other contaminants are not covered under warranty. Not suitable for natatorium environments.

Due to continuing product improvements, Philips Ledalite reserves the right to change the specifications without notice.

## Dimensions - Cross Section



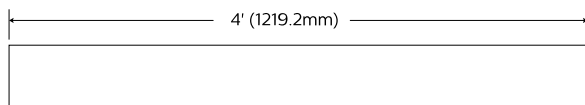
# BoldPlay wall

3400 lm/4ft 65% Up, Asym.

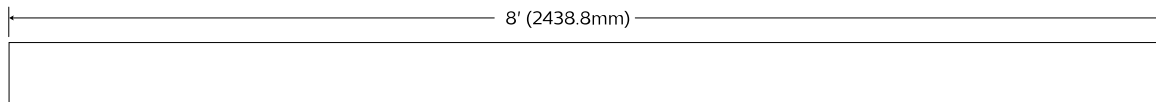
3000/3500/4000K

## Dimensions - Modules

Module length excludes end caps. Nominal mounting spacing for individually mounted modules.



4 ft.

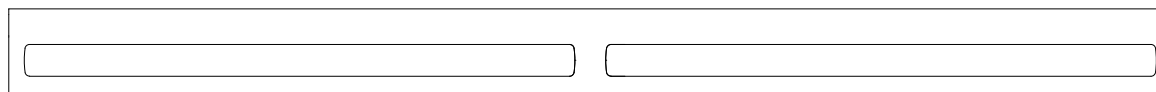


8 ft.

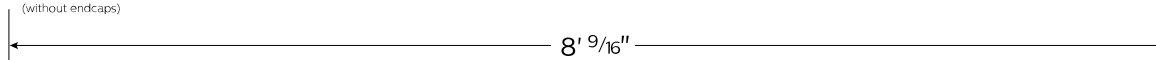
Note: Refer to installation instructions for exact mount.

## Optics and Styles

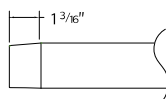
Lens view



Wall  
(without endcaps)



End caps



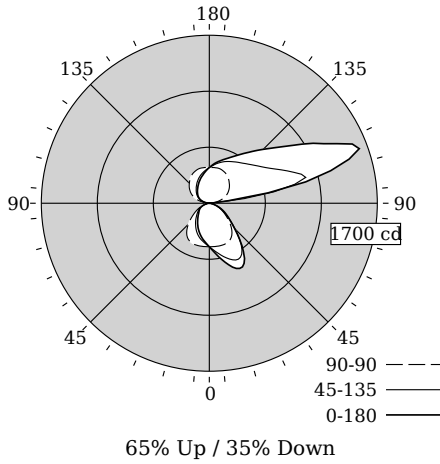
Flat

# BoldPlay wall

3400 lm/4ft 65% Up, Asym.

3000/3500/4000K

## Photometry @ CRI>80, 3500K



## Candela Distribution

Vertical Angle	Horizontal Angle				Zonal Lumens
	0	45	90	135	
0	441	441	441	441	0
5	489	474	441	413	43
15	618	559	444	366	131
25	728	633	437	308	215
35	603	576	396	243	251
45	362	371	301	184	216
55	222	219	194	138	163
65	129	125	114	99	110
75	50	49	46	46	52
85	9	9	9	15	13
90	0	0	0	0	0
95	35	59	29	17	95
105	1271	1010	115	70	457
115	1426	801	190	117	470
125	1019	644	243	155	367
135	772	559	286	188	292
145	617	506	327	225	230
155	513	466	352	266	169
165	447	427	366	305	104
175	390	381	363	342	34
180	362	362	362	362	0

Values per 4ft unit

Fixture photometry has been conducted in accordance with IESNA LM-79-08

IES files for this and other photometric options can be downloaded online at [www.lightingproducts.philips.com](http://www.lightingproducts.philips.com)

## Coefficients of Utilization (%)

RCR	Ceiling										
	70	50	30	10	70	50	30	50	30	10	0
0	104	104	104	104	94	94	94	75	75	75	35
1	95	91	87	84	86	82	79	66	64	62	30
2	86	79	74	69	78	72	67	58	55	52	26
3	79	70	63	58	71	64	58	52	47	44	22
4	72	62	55	49	65	57	50	46	41	38	19
5	66	55	48	42	60	50	44	41	36	32	17
6	61	50	42	36	55	45	38	37	32	28	15
7	57	45	37	32	51	41	34	34	29	25	13
8	52	41	33	28	47	37	31	31	26	22	12
9	49	37	30	25	44	34	27	28	23	20	11
10	45	34	27	22	41	31	25	26	21	18	10

## Avg. Luminance (cd/m<sup>2</sup>)

Vertical Angle	Horizontal Angle		
	0	90	180
55	5002	4386	2809
65	3952	3487	2836
75	2506	2278	2278
85	1353	1353	2480

## Distribution

Hemisphere	65% Up / 35% Down
Peak/Zenith	4.47
Peak Output	1615 cd
Glare Control	Meets RP-1-12 recommendations for VDT-Critical spaces

# BoldPlay wall

3400 lm/4ft 65% Up, Asym.

3000/3500/4000K

## Optical Performance @ 120V

Nominal Spec:	3000K	3500K	4000K
Flux (lm)	3266	3410	3509
Efficacy (lm/W)	98.4	103.0	106.3
Power (W)	33.2	33.1	33.0
CCT (K)	3045	3312	3931
CRI	84	82	83
R9	10	-1	5
x	0.4338	0.4167	0.3849
y	0.4031	0.3968	0.3837
Duv	0.0000	0.0000	0.0020

## Electrical Performance @ CRI>80, 3500K

Input Voltage	120V	277V	347V
Input Power	33.1W	32.7W	33.5W
Input Current	0.28A	0.12A	0.10A
Power Factor	0.996	0.965	0.964
Total Harm. Distortion	6.8%	13.0%	9.0%

Tested values – contact technical support for rated values. Off-state power zero unless certain controls are specified.

