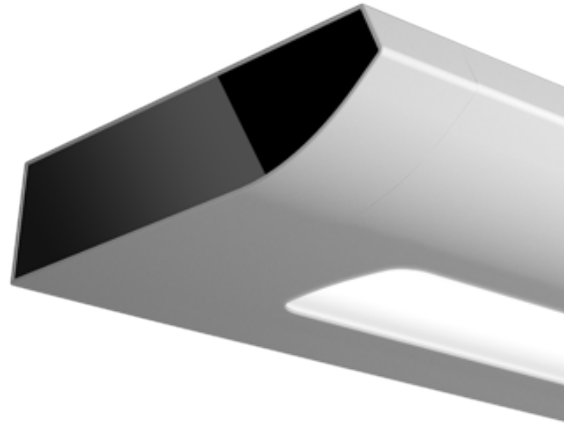




Linear

BoldPlay wall

2300 lm/4ft 65% Up, Asym.
3000/3500/4000K



Project: _____
Spec Type: _____
Catalog No: 7808LxGQN
Qty _____
Line Notes: _____

Brilliant design and intuitive engineering fearlessly combine to deliver unprecedented performance. BoldPlay's striking contrast of effortless style and urban edginess makes a distinctive statement in any space. Available tunable white technology gives you the ability to vary color temperature and intensity, harmonizing lighting with your daily life.

Ordering guide

Product Type	Source	Color Temp *	Lumens *	Lower Optics	Upper Optics	Run Length	Wiring †	Voltage	Driver	Finish
7808	L		G	Q	N					
BoldPlay Wall Direct/Ind	L LED	A 4000K B 3500K C 3000K	C 4400 lm/4ft E 3400 lm/4ft G 2300 lm/4ft	Q MesoOptics Lens	N Lightguide	04 4' 08 8' XX Total run length (4' increments)	7 1 cct Dimming E 2 cct A/B Dimming (Alt. 4ft) M 1 cct Dimming + EM Wiring N 1 cct Dimming + EM Batt. Pack	1 120V 2 277V 3 347V	E Philips Advance 0-10V (1% dim)	W Standard White T Titanium Silver B Black C Custom

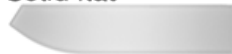
* Nominal values within a range. Down kits reduce output & efficacy. Consult photometry data for CRI, color temp, lumens & distribution of chosen configuration.
† Not all wiring types are available with all configurations. Consult Philips Ledalite for a complete list of available options.

Mounting Hardware

Mount Type
Consult separate mounting spec sheet for mount type options:
Ledalite Suspended Mounting Options

Endcaps -

Solid flat



BoldPlay wall

2300 lm/4ft 65% Up, Asym.

3000/3500/4000K

Optical System

The optical system contains arrays of LEDs edge-lighting a low profile light-guide panel, using total internal reflection to homogenize the sources. The microstructured surface of the panel optimizes light extraction to create an efficacious direct/indirect distribution. Light is purified and controlled by MesoOptics film as it passes through a non-glare acrylic lens. Standard distribution is 75% up / 25% down for suspended and 65% up / 35% down for wall mount version.

Endcaps

Diecast aluminum endcaps finished with a textured matte powder coat to match the luminaire.

Suspended: Available in sculpted (standard) & solid flat.

Wall: Available with solid flat only.

Finish

Standard finish is a textured matte powder coat in white, black or titanium silver. Custom colors available upon request. White sensors only.

Housing

Precision formed 18 gauge cold-rolled steel.

Weight

Maximum: Suspended 3.75lb/ft & Wall 3.0lb/ft.

Electrical

Factory pre-wired to section ends with quick-wire connectors.

Standard Drivers

Philips Advance Xitanium 0-10V, 1-100%.

Philips Advance Xitanium Sensor Ready, 5-100%.

Class 2 rated output. Consult Philips Ledalite for other available drivers.

Standard Battery Pack

Philips Bodine, 90 min, 10W, Class 2 rated output, Emergency lumen output = 10W x luminaire efficacy x 1.1. Typical output: 1100lm.

Lumen Maintenance

LEDs have been tested by the manufacturer in accordance with IESNA LM-80-08. At an ambient temperature of 25°C, the LED lumen maintenance expectation according to IES TM-21-11 is: L80 (12k) >72,000 hrs (**Reported** methodology).

Source Color

LEDs rated for color rendering CRI >80 and fixture to fixture color accuracy within 2 SDCM.

Controls

Certain configurations available with: Response Daylight Sensors SpaceWise DT Occupancy & Daylight Sensors w/ advanced grouping & Dwell Time.

*SpaceWise DT commissioning is via a compatible Android phone and Philips Field App. Compatible wireless dimming wall switches are available for dimming. 347V is not available as a standard option. For more information, please refer to www.philips.com/spacewise

Mounting

Suspended: Tamper-resistant aircraft cable gripper provides unlimited vertical adjustment. Aircraft cable, crimp and cable gripper are independently tested to meet stringent safety requirements.

Wall: Fixture is mounted flush to wall using hidden wall brackets which attach to existing structure, variable within 2"-5" of end or joint.

Joints

Self-aligning joining system with hands-free pre-joining wire access.

Approvals

Certified to UL, CSA and IES standards.

Certain suspended versions without down kits are DesignLights Consortium® qualified. Please see the DLC QPL list for exact catalog numbers (www.designlights.org/QPL).

Warranty

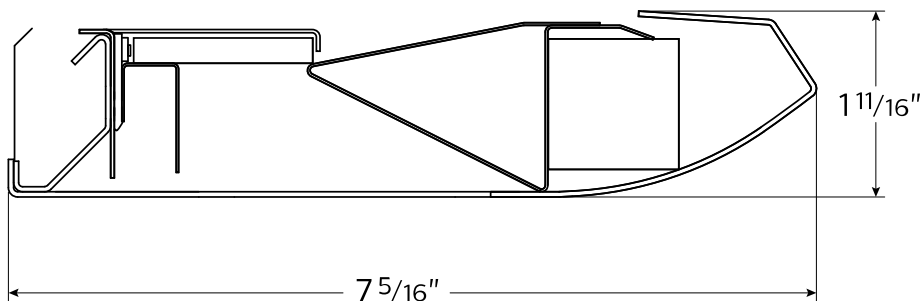
Philips indoor professional luminaires 5 year LED warranty: www.philips.com/warranties.

Environment

Rated for dry or damp locations in operating ambient temperatures 0-40°C (32-104°F). Certain luminaire components may be adversely affected by contaminants. Damage caused by sulfur, chlorine, petroleum based solutions or other contaminants are not covered under warranty. Not suitable for natatorium environments.

Due to continuing product improvements, Philips Ledalite reserves the right to change the specifications without notice.

Dimensions - Cross Section



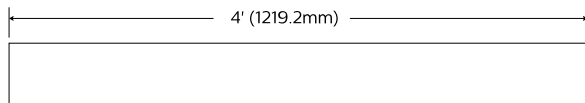
BoldPlay wall

2300 lm/4ft 65% Up, Asym.

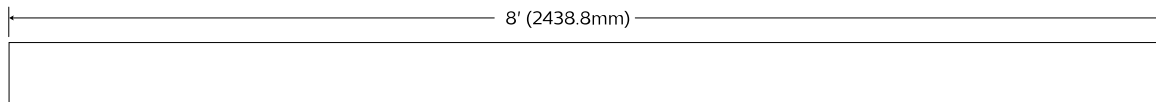
3000/3500/4000K

Dimensions - Modules

Module length excludes end caps. Nominal mounting spacing for individually mounted modules.



4 ft.

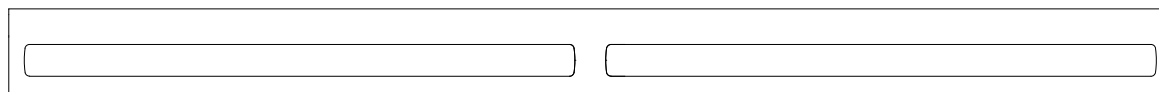


8 ft.

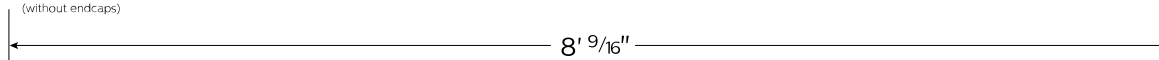
Note: Refer to installation instructions for exact mount.

Optics and Styles

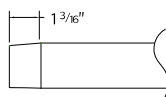
Lens view



Wall
(without endcaps)



End caps



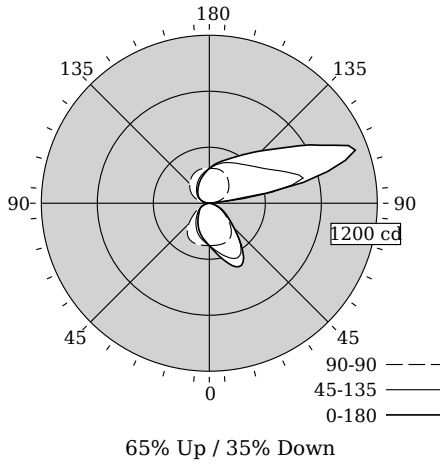
Flat

BoldPlay wall

2300 lm/4ft 65% Up, Asym.

3000/3500/4000K

Photometry @ CRI>80, 3500K



Candela Distribution

Vertical Angle	Horizontal Angle				Zonal Lumens
	0	45	90	180	
0	303	303	303	303	0
5	336	326	303	284	29
15	425	384	305	252	90
25	500	435	301	212	148
35	414	396	272	167	172
45	248	255	207	126	148
55	152	150	134	95	112
65	89	86	78	68	76
75	34	33	31	31	35
85	6	6	6	10	9
90	0	0	0	0	0
95	24	41	20	11	65
105	874	694	79	48	314
115	980	550	131	80	323
125	701	443	167	106	252
135	530	384	196	129	201
145	424	348	224	155	158
155	353	321	242	183	116
165	307	293	252	210	71
175	268	262	250	235	24
180	248	248	248	248	0

Values per 4ft unit

Fixture photometry has been conducted in accordance with IESNA LM-79-08

IES files for this and other photometric options can be downloaded online at www.lightingproducts.philips.com

Coefficients of Utilization (%)

RCR	Ceiling										
	70	50	30	10	70	50	30	50	30	10	0
0	104	104	104	104	94	94	94	75	75	75	35
1	95	91	87	84	86	82	79	66	64	62	30
2	86	79	74	69	78	72	67	58	55	52	26
3	79	70	63	58	71	64	58	52	47	44	22
4	72	62	55	49	65	57	50	46	41	38	19
5	66	55	48	42	60	50	44	41	36	32	17
6	61	50	42	36	55	45	38	37	32	28	15
7	57	45	37	32	51	41	34	34	29	25	13
8	52	41	33	28	47	37	31	31	26	22	12
9	49	37	30	25	44	34	27	28	23	20	11
10	45	34	27	22	41	31	25	26	21	18	10

Avg. Luminance (cd/m2)

Vertical Angle	Horizontal Angle		
	0	90	180
55	3438	3014	1931
65	2717	2397	1950
75	1722	1566	1566
85	930	930	1705

Distribution

Hemisphere	65% Up / 35% Down
Peak/Zenith	4.47
Peak Output	1110 cd
Glare Control	Meets RP-1-12 recommendations for VDT-Critical spaces

BoldPlay wall

2300 lm/4ft 65% Up, Asym.

3000/3500/4000K

Optical Performance @ 120V

Nominal Spec:	3000K	3500K	4000K
Flux (lm)	2245	2344	2411
Efficacy (lm/W)	102.5	107.5	111.1
Power (W)	21.9	21.8	21.7
CCT (K)	3045	3312	3931
CRI	84	82	83
R9	10	-1	5
x	0.4338	0.4167	0.3849
y	0.4031	0.3968	0.3837
Duv	0.0000	0.0000	0.0020

Electrical Performance @ CRI>80, 3500K

Input Voltage	120V	277V	347V
Input Power	21.8W	21.9W	22.5W
Input Current	0.18A	0.08A	0.07A
Power Factor	0.991	0.934	0.932
Total Harm. Distortion	10.7%	17.9%	14.0%

Tested values – contact technical support for rated values. Off-state power zero unless certain controls are specified.

