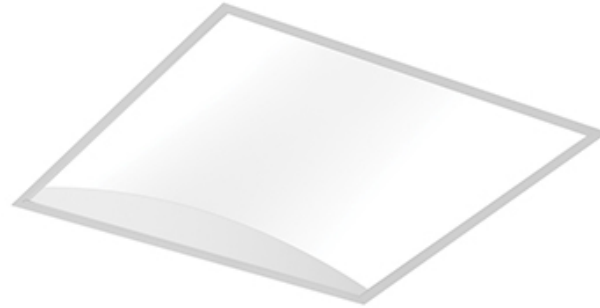




Recessed

ArcForm

2'x2', 4400 lm
3000/3500/4000K



Project: _____
 Spec Type: _____
 Catalog No: 3622xxxxLx44 _____
 Qty _____
 Line Notes: _____

Philips Ledalite ArcForm recessed LED is a highly efficacious fully luminous fixture with brilliant color rendering and an innovative 3D symmetrical batwing lighting distribution. It delivers pure white light—free of glare, color shifts, hot spots or striations.

Ordering guide

Product Type	Version	Configuration	Light Source *	CRI/CCT	Lumens *	Housing	Wiring †	Voltage	Driver
3622			L		44				
ArcForm 2' x 2'	D1 Standard T Grid D2 Slot T Grid A1 Air Return on Standard T Grid A2 Air Return on Slot T Grid	ST Standalone CR Continuous Row	L LED	A 4000K B 3500K C 3000K	30 3000 lumens 36 3600 lumens 44 4400 lumens	S Standard C Chicago Plenum	7 1 cct Dimming N 1 cct Dimming + EM Batt Pack T 1 cct Step Dimming	1 120V 2 277V 3 347V	E Philips Advance 0-10V (1% dim)

* Nominal values within a range. Consult photometry data for CRI, color temp, lumens & distribution of chosen configuration.
 † Not all wiring types are available with all configurations. Consult Philips Ledalite for a complete list of available options.

Upgrades & Accessories Please indicate with check mark.

- Flex Whip (6' length)
- Drywall Kit

Integrated Controls Please indicate with check mark.

- Response Daylight Single Zone (DS)



ArcForm

2'x2', 4400 lm

3000/3500/4000K

Optical System

A curved, fully luminous acrylic panel with a protected layer of MesoOptics film efficiently generates a controlled, low glare, 3-dimensional batwing distribution. Die-formed, cold-rolled steel ends are assembled together with extruded aluminum side profiles to form a sturdy optical frame. The frame is hinged to allow easy access to the inside of the fixture. Maintenance can be performed from below the ceiling.

Housing

Die-formed, post-painted, 22 gauge cold-rolled steel housing. Multiple wire entrances are available (top or side) to allow continuous row mounting of fixtures. Optional frame restraint is available to provide additional safety support.

Mounting

Compatible with lay-in acoustical ceilings using an exposed 9/16", 15/16" or slot T-grid suspension system (NEMA types G, NFG & NFGS). Integral mounting tabs are provided which handle different T-grid heights.

Finish

Housing and Frame: Post-painted, high quality powder coat. Available in white only.

Weight

Maximum 25lb .

Electrical

LED boards are easily field replaceable. Fixtures are factory pre-wired and tested for all circuits. Driver access from below the ceiling. Optional armored cable flex whips are supplied in 6' lengths.

Standard Driver

Philips Advance Xitanium 0-10V, 1-100%. Class 2 rated output. Consult Philips Ledalite for other available drivers.

Standard Battery Pack

Philips Bodine, 90 min, 10W, Class 2 rated output, Emergency lumen output = 10W x luminaire efficacy x 11. Typical output: 1100lm.

Lumen Maintenance

LEDs have been tested by the manufacturer in accordance with IESNA LM-80-08. At an ambient temperature of 25°C, the LED lumen maintenance expectation according to IES TM-21-11 is: L80 (12k) >72,000 hrs (Reported methodology).

Source Color

LEDs rated for standard color rendering CRI >80, R9 >0 and fixture to fixture color accuracy within 3 SDCM.

Controls

Available with the following integrated controls:
Response daylight sensor (for single zone).

Approvals

Certified to UL, IES & CSA Standards. City of Chicago Approved CCEA (housing option C). Type IC Rated. Certain versions without battery packs are DesignLights Consortium® qualified. Please see the DLC QPL list for exact catalog numbers (www.designlights.org/QPL).

Warranty

Five-year luminaire limited warranty including LED boards and driver. www.philips.com/warranties.

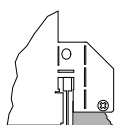
Environment

Rated for dry or damp locations in operating ambient temperatures of 0-25°C (32-77°F). Many luminaire components, such as reflectors, refractors, lenses, and LEDs are made from various types of plastics which can be adversely affected by airborne contaminants. If sulfur based chemicals, petroleum based products, cleaning solutions, or other contaminants are expected in the intended area of use, consult factory for compatibility. Damage caused by sulfur, chlorine, petroleum based solution or other contaminants are not covered under warranty. Not suitable for natatorium environments.

Due to continuing product improvements, Philips Ledalite reserves the right to change the specifications without notice.

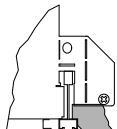
Options and Details

Mounting



Standard T-Grid

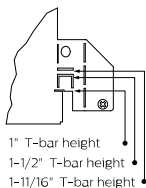
Option D1 works with 9/16" and 15/16" flat T-grid ceilings. It can also be used with slot T-grid ceilings. For 9/16" slot T-grid ceilings, fixture will sit 5/16" above the bottom of the T-Bar.



Slot T-Grid

Option D2 is designed to sit flush with slot T-grid ceilings and some tegular tile ceiling types.

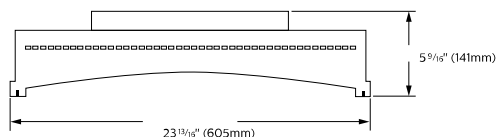
Ceiling types



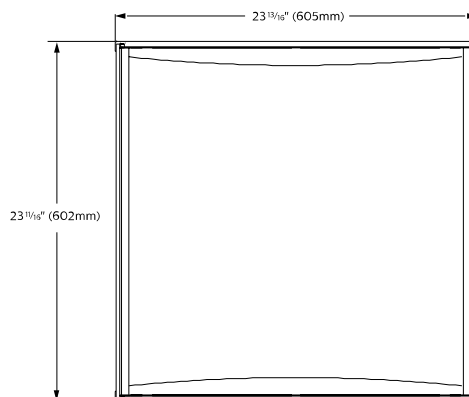
1" T-bar height
1-1/2" T-bar height
1-11/16" T-bar height

Integrated mounting tabs can be field-adjusted to various T-Grid ceiling heights for fastening directly to the T-Bar and/or tied off to the building structure.

Cross Section



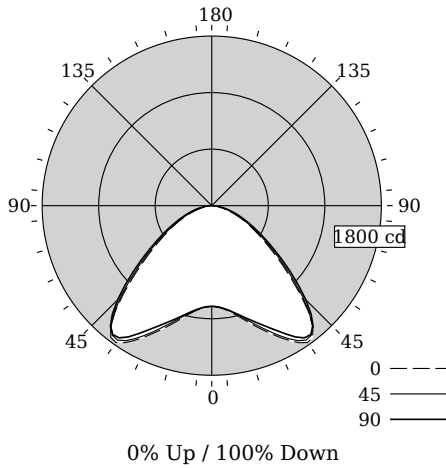
Lens View



ArcForm

2'x2', 4400 lm
3000/3500/4000K

Photometry @ CRI>80, 3500K



Candela Distribution

Vertical Angle	Horizontal Angle					Zonal Lumens
	0	22.5	45	67.5	90	
0	1204	1204	1204	1204	1204	0
5	1226	1221	1217	1222	1223	118
15	1368	1363	1349	1343	1341	388
25	1627	1624	1603	1578	1567	745
35	1756	1746	1747	1757	1743	1071
45	1159	1182	1217	1268	1297	943
55	581	596	621	659	686	577
65	302	312	320	341	353	326
75	120	126	134	150	161	149
85	23	26	30	37	42	37
90	0	0	0	0	0	0
95	0	0	0	0	0	0
105	0	0	0	0	0	0
115	0	0	0	0	0	0
125	0	0	0	0	0	0
135	0	0	0	0	0	0
145	0	0	0	0	0	0
155	0	0	0	0	0	0
165	0	0	0	0	0	0
175	0	0	0	0	0	0
180	0	0	0	0	0	0

Fixture photometry has been conducted in accordance with IESNA LM-79-08

IES files for this and other photometric options can be downloaded online at www.lightingproducts.philips.com

Coefficients of Utilization (%)

RCR	Ceiling																	
	70	50	30	10	70	50	30	10	70	50	30	10	70	50	30	10	0	
0	119	119	119	119	116	116	116	111	111	111	111	100	100	100	100	100	100	0
1	110	106	102	99	108	104	100	100	97	94	87	87	87	87	87	87	87	0
2	101	94	88	83	99	92	86	89	84	80	74	74	74	74	74	74	74	0
3	93	83	76	70	91	82	75	79	73	68	64	64	64	64	64	64	64	0
4	85	74	66	60	83	73	65	71	64	59	55	55	55	55	55	55	55	0
5	79	67	58	52	77	66	58	64	57	51	48	48	48	48	48	48	48	0
6	73	60	52	45	71	59	51	57	50	45	42	42	42	42	42	42	42	0
7	67	54	46	40	66	54	46	52	45	40	37	37	37	37	37	37	37	0
8	63	50	41	36	61	49	41	48	40	35	33	33	33	33	33	33	33	0
9	58	45	37	32	57	45	37	44	37	32	30	30	30	30	30	30	30	0
10	55	42	34	29	53	41	34	40	33	29	27	27	27	27	27	27	27	0

Avg. Luminance (cd/m2)

Vertical Angle	Horizontal Angle		
	0	45	90
55	3257	3478	3840
65	2299	2437	2682
75	1489	1666	1996
85	863	1118	1538

Distribution Summary

Hemisphere	0% Up / 100% Down
Spacing Along (0°)	1.76
Spacing Across (90°)	1.81

Philips Ledalite

LED lighting facts
A Program of the U.S. DOE

Light Output (Lumens) **4353**

Watts **41.4**

Lumens per Watt (Efficacy) **105.14**

Color Accuracy
Color Rendering Index (CRI) **82**

Light Color
Correlated Color Temperature (CCT) **3367 (Bright White)**

2700K 3000K 4500K 6500K

All results are according to IESNA LM-79-2008: *Approved Method for the Electrical and Photometric Testing of Solid-State Lighting*. The U.S. Department of Energy (DOE) verifies product test data and results.

Visit www.lightingfacts.com for the Label Reference Guide.

Registration Number: F46Z-381Y2Z (11/18/2016)
Model Number: 3622DxxxLB44
Type: Luminaire - Troffer/Grid Ceiling

ArcForm

2'x2', 4400 lm

3000/3500/4000K

Optical Performance

Nominal Spec:	3000K	3500K	4000K
Flux (lm)	4277	4353	4507
Efficacy (lm/W)	103.1	105.1	108.9
Power (W)	41.5	41.4	41.4
CCT (K)	2979	3367	3847
CRI	82	82	83
R9	2	4	5
x	0.4372	0.4136	0.3905
y	0.4022	0.3959	0.3911
Duv	0.0009	0.0005	0.0038

Electrical Performance @ CRI>80, 3500K

Input Voltage	120V	277V	347V
Input Power	41.4W	41.6W	40.5W
Input Current	0.35A	0.15A	0.12A
Power Factor	0.991	0.979	0.974
Total Harm. Distortion	13.0%	15.0%	9.0%

Tested values – contact technical support for rated values. Off-state power zero unless certain controls are specified.

© 2018 Philips Lighting Holding B.V. All rights reserved. Philips reserves the right to make changes in specifications and/or to discontinue any product at any time without notice or obligation and will not be liable for any consequences resulting from the use of this publication.

www.philips.com/luminaires

ArcFm2x2_44lm 03.18 page 4 of 4



Philips Lighting, North America Corporation
200 Franklin Square Drive, Somerset, NJ 08873
Tel. 855-486-2216

Philips Lighting Canada Ltd.,
281 Hillmount Rd, Markham, ON, Canada L6C 2S3
Tel. 800-668-9008