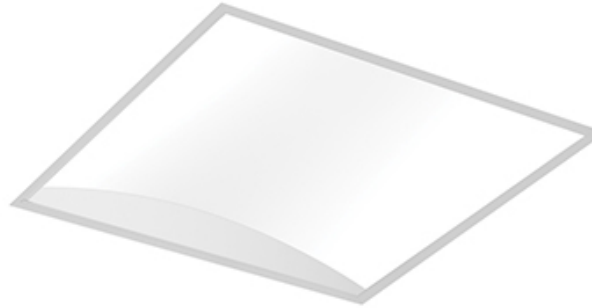




Recessed

ArcForm

2'x2'  
CRI >80 3500K, 3000 lm



Project: \_\_\_\_\_  
Spec Type: \_\_\_\_\_  
Catalog No: 3622xxxxLB30  
Qty \_\_\_\_\_  
Line Notes: \_\_\_\_\_

Philips Ledalite ArcForm recessed LED is a highly efficacious fully luminous fixture with brilliant color rendering and an innovative 3D symmetrical batwing lighting distribution. It delivers pure white light—free of glare, color shifts, hot spots or striations.

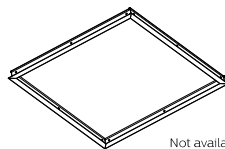
**Ordering guide**

Product Type	Version	Configuration	Light Source *	CRI/CCT	Lumens *	Housing	Wiring †	Voltage	Driver
3622	xx	xx	L	B	30				
ArcForm 2'x2' LED	D1 Standard T Grid D2 Slot T Grid A1 Air Return on Standard T Grid A2 Air Return on Slot T Grid	ST Standalone CR Continuous Row	L LED	A 4000K B 3500K C 3000K	30 3000 lumens 36 3600 lumens 44 4400 lumens	S Standard (22ga) C Chicago Plenum	1 1 cct 5 1 cct w/ BP 7 1 cct w/ Dimming N 1 cct w/ Dim & BP T 1 cct Step Dim	1 120V 2 277V 3 347V	E Philips Advance (1-100%)

\* Nominal values within a range. Consult ies file for exact color temp, lumens and distribution † Not all wiring types are available with all configurations. Consult factory for complete list of available options

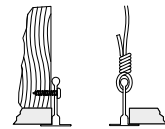
**Upgrades & Accessories** Please indicate with check mark.

- Flex Whip (6' length)
- Drywall Kit



Not available in continuous row

Can be mounted to wood frame or with hanger wire



Wood frame Hanger wire

**Integrated Controls** Please indicate with check mark.

- Response Daylight Single Zone (DS)



# ArcForm

CRI >80 3500K, 3000 lm

## Housing

Die-formed, post-painted, 22 gauge cold-rolled steel. Multiple wire entrances are available (top or side) to allow continuous row mounting of fixtures. Optional frame restraint is available to provide additional safety support to the optical frame.

## Weight

Maximum 25lb.

## Optical System

The optical frame assembly consists of a curved acrylic panel with a layer of protected MesoOptics film which efficiently provides a fully luminous, controlled, low glare 3-dimensional batwing distribution. The optical frame ends are constructed from die-formed cold-rolled steel assembled together with extruded aluminum profiles in a sturdy frame. The frame is hinged to allow easy access to the inside of the fixture. Maintenance can be performed from below the ceiling.

## Environment

Rated for dry or damp locations in operating ambient temperatures of 0-25°C (32-77°F).

## Approvals

Certified to UL, IES & CSA Standards. City of Chicago Approved CCEA (housing option C). Type IC Rated

## Finish

Housing and Frame: Post-painted, high quality powder coat. Available in white only.

## Warranty

Five-year luminaire limited warranty including LED boards and driver.

USA: <http://www.usalighting.philips.com/support/support/warranty>

Canada: <http://www.lighting.philips.ca/support/support/warranty>

## Electrical

LED boards are easily field replaceable. Fixtures are factory pre-wired and tested for all circuits. Driver access from below the ceiling. Optional armored cable flex whips are supplied in 6' lengths.

## Lumen Maintenance

Lumen maintenance of the LEDs has been tested by the manufacturer in accordance with IESNA LM-80-08. At an ambient temperature of 25°C, the LED lumen maintenance expectation is L80(12K)>72,000h according to IES TM-21-11 Addendum A Reported methodology.

## General Notes

Many luminaire components, such as reflectors, refractors, lenses, sockets, lamp holders, and LEDs are made from various types of plastics which can be adversely affected by airborne contaminants. If sulfur based chemicals, petroleum based products, cleaning solutions, or other contaminants are expected in the intended area of use, consult factory for compatibility. Damage caused by sulfur, chlorine, petroleum based solution or other contaminants are not covered under warranty.

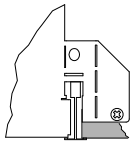
## Standard Driver

Dimming: 0-10V (1-100%). Output is Class 2 rated. Consult factory for a list of other options.

Due to continuing product improvements, Philips Ledalite reserves the right to change the specifications without notice.

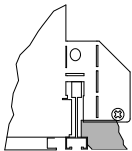
## Options and Details

### Mounting



#### Standard T-Grid

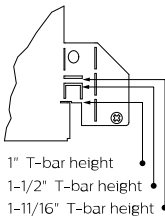
Option D1 works with 9/16" and 15/16" flat T-grid ceilings. It can also be used with slot T-grid ceilings. For 9/16" slot T-grid ceilings, fixture will sit 5/16" above the bottom of the T-Bar.



#### Slot T-Grid

Option D2 is designed to sit flush with slot T-grid ceilings and some tegular tile ceiling types.

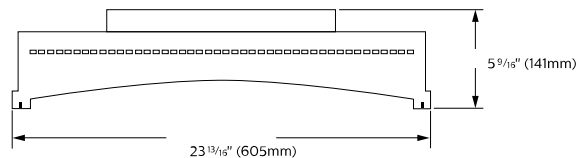
### Ceiling types



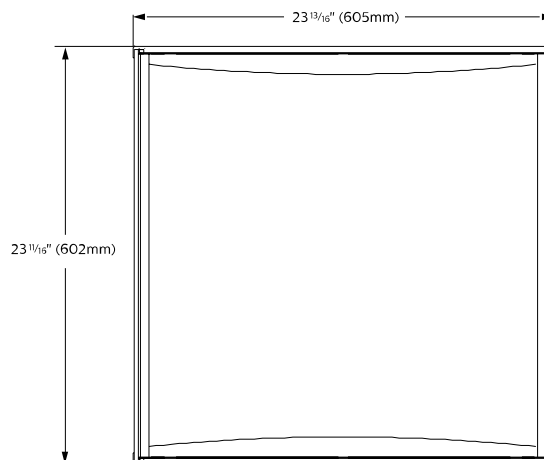
Integrated mounting tabs can be field-adjusted to various T-Grid ceiling heights for fastening directly to the T-Bar and/or tied off to the building structure.

- 1" T-bar height
- 1-1/2" T-bar height
- 1-11/16" T-bar height

### Cross Section



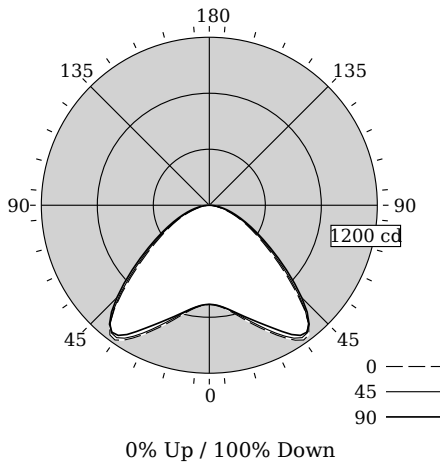
### Lens View



# ArcForm

CRI >80 3500K, 3000 lm

## Photometry



Total Output	3038 lm
Efficacy	102.6 lm/W
CCT	3396K
CRI	83
R9	8
Distribution	0% Up / 100% Down
Spacing Criteria (0/90°)	1.92/1.95
Meets RP-1-12 recommendations for VDT-Normal spaces	

Values per 4ft unit

Fixture photometry has been conducted in accordance with IESNA LM-79-08

IES files for this and other photometric options can be downloaded online at [www.lightingproducts.philips.com](http://www.lightingproducts.philips.com)

### Candela Distribution

Vertical Angle	Horizontal Angle					Zonal Lumens
	0	22.5	45	67.5	90	
0	708	708	708	708	708	0
5	723	721	719	719	719	70
15	821	819	811	805	803	233
25	995	993	980	956	944	455
35	1175	1166	1155	1144	1135	710
45	880	881	903	924	934	692
55	474	480	501	525	533	456
65	250	253	264	279	284	266
75	100	104	114	127	134	125
85	19	21	26	32	36	31
90	0	0	0	0	0	0
95	0	0	0	0	0	0
105	0	0	0	0	0	0
115	0	0	0	0	0	0
125	0	0	0	0	0	0
135	0	0	0	0	0	0
145	0	0	0	0	0	0
155	0	0	0	0	0	0
165	0	0	0	0	0	0
175	0	0	0	0	0	0
180	0	0	0	0	0	0

### Coefficients of Utilization (%)

RCR	Ceiling: Wall:										
	70	80	30	10	70	50	30	50	30	10	0
0	119	119	119	119	116	116	116	111	111	111	100
1	110	105	101	98	107	103	100	99	96	93	86
2	100	93	86	81	98	91	85	87	82	78	73
3	92	82	74	68	89	80	73	77	71	66	62
4	84	72	64	58	82	71	63	69	62	56	53
5	77	65	56	49	75	64	55	61	54	49	46
6	71	58	49	43	69	57	49	55	48	42	40
7	66	52	44	38	64	52	43	50	43	37	35
8	61	47	39	33	59	47	39	45	38	33	31
9	57	43	35	30	55	43	35	42	34	29	27
10	53	40	32	26	52	39	32	38	31	26	24

### Avg. Luminance (cd/m2)

Vertical Angle	Horizontal Angle		
	0	45	90
55	2715	2869	3053
65	1942	2049	2207
75	1269	1447	1703
85	712	976	1349

## Electrical Specifications

Input Voltage	120V	277V
Input Power	29.6W	29.2W
Input Current	0.25A	0.11A
Power Factor	0.997	0.967
Total Harm. Distortion	6%	13%
Tested values – contact technical support for rated values. Off-state power zero unless certain controls are specified.		

