



Recessed

ArcForm

1'x4', 4400 lm
3000/3500/4000K



Project: _____
 Spec Type: _____
 Catalog No: 3614xxxxLx44 _____
 Qty _____
 Line Notes: _____

Philips Ledalite ArcForm recessed LED is a highly efficacious fully luminous fixture with brilliant color rendering and an innovative 3D symmetrical batwing lighting distribution. It delivers pure white light—free of glare, color shifts, hot spots or striations.

Ordering guide

Product Type	Version	Configuration	Light Source *	CRI/CCT	Lumens *	Housing	Wiring †	Voltage	Driver
3614			L		44				
ArcForm 1' x 4'	D1 Standard T Grid D2 Slot T Grid	ST Standalone CR Continuous Row	L LED	A 4000K B 3500K C 3000K	30 3000 lumens 36 3600 lumens 44 4400 lumens	S Standard C Chicago Plenum	7 1 cct Dimming N 1 cct Dimming + EM Batt Pack T 1 cct Step Dimming	1 120V 2 277V 3 347V	E Philips Advance 0-10V (1% dim)

* Nominal values within a range. Consult photometry data for CRI, color temp, lumens & distribution of chosen configuration.
 † Not all wiring types are available with all configurations. Consult Philips Ledalite for a complete list of available options.

Upgrades & Accessories Please indicate with check mark.

- Flex Whip (6' length)
- Drywall Kit

Integrated Controls Please indicate with check mark.

- Response Daylight Single Zone (DS)



ArcForm

1'x4', 4400 lm

3000/3500/4000K

Optical System

A curved, fully luminous acrylic panel with a protected layer of MesoOptics film efficiently generates a controlled, low glare, 3-dimensional batwing distribution. Die-formed, cold-rolled steel ends are assembled together with extruded aluminum side profiles to form a sturdy optical frame. The frame is hinged to allow easy access to the inside of the fixture. Maintenance can be performed from below the ceiling.

Housing

Die-formed, post-painted, 22 gauge cold-rolled steel housing. Multiple wire entrances are available (top or side) to allow continuous row mounting of fixtures. Optional frame restraint is available to provide additional safety support.

Mounting

Compatible with lay-in acoustical ceilings using an exposed 9/16", 15/16" or slot T-grid suspension system (NEMA types G, NFG & NFGS). Integral mounting tabs are provided which handle different T-grid heights.

Finish

Housing and Frame: Post-painted, high quality powder coat. Available in white only.

Weight

Maximum 25lb .

Electrical

LED boards are easily field replaceable. Fixtures are factory pre-wired and tested for all circuits. Driver access from below the ceiling. Optional armored cable flex whips are supplied in 6' lengths.

Standard Driver

Philips Advance Xitanium 0-10V, 1-100%. Class 2 rated output. Consult Philips Ledalite for other available drivers.

Standard Battery Pack

Philips Bodine, 90 min, 10W, Class 2 rated output, Emergency lumen output = 10W x luminaire efficacy x 11. Typical output: 1100lm.

Lumen Maintenance

LEDs have been tested by the manufacturer in accordance with IESNA LM-80-08. At an ambient temperature of 25°C, the LED lumen maintenance expectation according to IES TM-21-11 is: L80 (12k) >72,000 hrs (Reported methodology).

Source Color

LEDs rated for standard color rendering CRI >80, R9 >0 and fixture to fixture color accuracy within 3 SDCM.

Controls

Available with the following integrated controls:
Response daylight sensor (for single zone).

Approvals

Certified to UL, IES & CSA Standards. City of Chicago Approved CCEA (housing option C). Type IC Rated. Certain versions without battery packs are DesignLights Consortium® qualified. Please see the DLC QPL list for exact catalog numbers (www.designlights.org/QPL).

Warranty

Five-year luminaire limited warranty including LED boards and driver. www.philips.com/warranties.

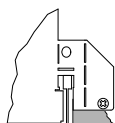
Environment

Rated for dry or damp locations in operating ambient temperatures of 0-25°C (32-77°F). Many luminaire components, such as reflectors, refractors, lenses, and LEDs are made from various types of plastics which can be adversely affected by airborne contaminants. If sulfur based chemicals, petroleum based products, cleaning solutions, or other contaminants are expected in the intended area of use, consult factory for compatibility. Damage caused by sulfur, chlorine, petroleum based solution or other contaminants are not covered under warranty. Not suitable for natatorium environments.

Due to continuing product improvements, Philips Ledalite reserves the right to change the specifications without notice.

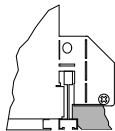
Options and Details

Mounting



Standard T-Grid

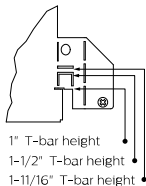
Option D1 works with 9/16" and 15/16" flat T-grid ceilings. It can also be used with slot T-grid ceilings. For 9/16" slot T-grid ceilings, fixture will sit 5/16" above the bottom of the T-Bar.



Slot T-Grid

Option D2 is designed to sit flush with slot T-grid ceilings and some tegular tile ceiling types.

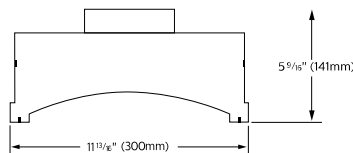
Ceiling types



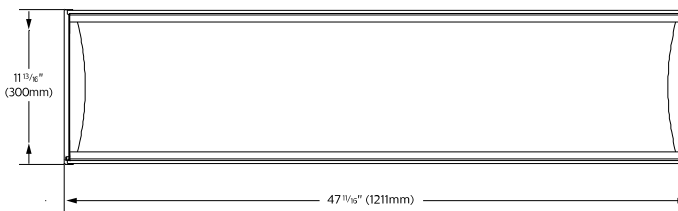
Integrated mounting tabs can be field-adjusted to various T-Grid ceiling heights for fastening directly to the T-Bar and/or tied off to the building structure.

1" T-bar height
1-1/2" T-bar height
1-11/16" T-bar height

Cross Section



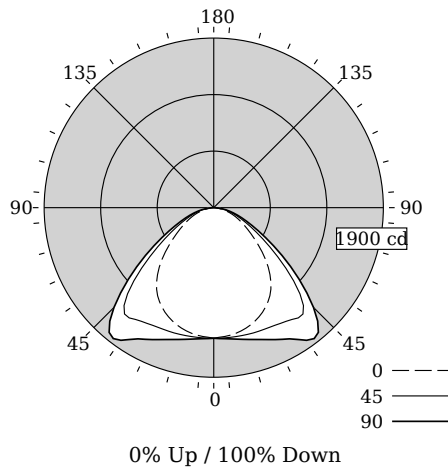
Lens View



ArcForm

1'x4', 4400 lm
3000/3500/4000K

Photometry @ CRI>80, 3500K



Candela Distribution

Vertical Angle	Horizontal Angle					Zonal Lumens
	0	22.5	45	67.5	90	
0	1517	1517	1517	1517	1517	0
5	1503	1509	1518	1527	1530	145
15	1447	1473	1529	1576	1592	432
25	1332	1407	1553	1676	1715	714
35	1128	1310	1634	1860	1923	980
45	763	978	1311	1500	1541	947
55	478	537	696	847	860	627
65	285	300	370	425	434	365
75	133	145	183	207	210	188
85	22	37	40	37	37	45
90	0	0	0	0	0	0
95	0	0	0	0	0	0
105	0	0	0	0	0	0
115	0	0	0	0	0	0
125	0	0	0	0	0	0
135	0	0	0	0	0	0
145	0	0	0	0	0	0
155	0	0	0	0	0	0
165	0	0	0	0	0	0
175	0	0	0	0	0	0
180	0	0	0	0	0	0

Fixture photometry has been conducted in accordance with IESNA LM-79-08

IES files for this and other photometric options can be downloaded online at www.lightingproducts.philips.com

Coefficients of Utilization (%)

RCR	Ceiling		80		70		50		30		0	
	70	50	30	10	70	50	30	10	70	50	30	10
0	119	119	119	119	116	116	116	111	111	111	100	0
1	110	106	102	98	107	103	100	99	96	94	86	0
2	101	93	87	82	98	91	86	88	83	79	73	0
3	92	83	75	69	90	81	74	78	72	67	63	0
4	85	74	65	59	83	72	65	70	63	58	54	0
5	78	66	58	51	76	65	57	63	56	50	47	0
6	72	60	51	45	71	59	51	57	50	44	42	0
7	67	54	46	40	65	53	45	52	45	39	37	0
8	62	49	41	35	61	49	41	47	40	35	33	0
9	58	45	37	32	57	45	37	43	36	32	29	0
10	55	42	34	29	53	41	34	40	33	29	27	0

Avg. Luminance (cd/m2)

Vertical Angle	Horizontal Angle		
	0	45	90
55	2885	4200	5189
65	2329	3025	3549
75	1783	2442	2800
85	860	1594	1486

Distribution Summary

Hemisphere	0% Up / 100% Down
Spacing Along (0°)	1.22
Spacing Across (90°)	1.76

Philips Ledalite

LED lighting facts
A Program of the U.S. DOE

Light Output (Lumens) **4442**

Watts **41.5**

Lumens per Watt (Efficacy) **107.04**

Color Accuracy **83**

Color Rendering Index (CRI)

Light Color **3403 (Bright White)**

Correlated Color Temperature (CCT)

2700K 3000K 4500K 6500K

All results are according to IESNA LM-79-2008: *Approved Method for the Electrical and Photometric Testing of Solid-State Lighting*. The U.S. Department of Energy (DOE) verifies product test data and results.

Visit www.lightingfacts.com for the Label Reference Guide.

Registration Number: F46Z-M82ZYF (11/18/2016)
Model Number: 3614DxxxLB44
Type: Luminaire - Troffer/Grid Ceiling

ArcForm

1'x4', 4400 lm

3000/3500/4000K

Optical Performance

Nominal Spec:	3000K	3500K	4000K
Flux (lm)	4173	4442	4567
Efficacy (lm/W)	100.8	107.0	110.3
Power (W)	41.4	41.5	41.4
CCT (K)	3002	3403	3897
CRI	82	83	83
R9	3	4	6
x	0.4352	0.4112	0.3877
y	0.4007	0.3943	0.3887
Duv	0.0012	0.0003	0.0035

Electrical Performance @ CRI>80, 3500K

Input Voltage	120V	277V	347V
Input Power	41.5W	41.7W	40.5W
Input Current	0.35A	0.15A	0.12A
Power Factor	0.991	0.979	0.974
Total Harm. Distortion	13.0%	15.0%	9.0%

Tested values – contact technical support for rated values. Off-state power zero unless certain controls are specified.

© 2018 Philips Lighting Holding B.V. All rights reserved. Philips reserves the right to make changes in specifications and/or to discontinue any product at any time without notice or obligation and will not be liable for any consequences resulting from the use of this publication.

www.philips.com/luminaires

ArcFm1x4_44lm 10.18 page 4 of 4



Philips Lighting, North America Corporation
200 Franklin Square Drive, Somerset, NJ 08873
Tel. 855-486-2216

Philips Lighting Canada Ltd.,
281 Hillmount Rd, Markham, ON, Canada L6C 2S3
Tel. 800-668-9008