

Achieva®



Project Name

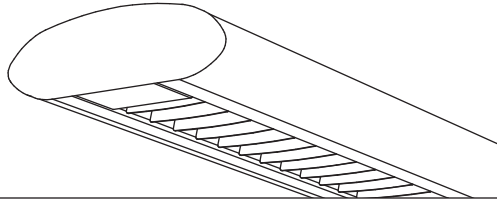
Spec Type

Notes

Suspended

Direct/Indirect

3 T8



Order Guide

Some combinations of product options may not be available. Consult factory for assistance with your specification.

8816	T03			-		-		-		
Product Series & Type Achieva Direct/Indirect	Lamping 3 T8	Lower Optics W White Louver (34*) P Semi-Specular Louver (15*) S Specular Louver (15*) M Semi-Specular VDT Louver (30*) R Specular VDT Louver (30*)	Upper Optics N None D 60% Down Kit G 80% Down Kit J 100% Down Kit U 80% Up Kit Y 2 Down / 1 Up Z 1 Down / 2 Up	Run Length <i>Enter the total run length in feet (4ft increments)</i>	Wiring 1 1 cct 2 2 cct 3 1 cct w/ Emergency cct 4 2 cct w/ Emergency cct 5 1 cct w/ Battery Pack 6 2 cct w/ Battery Pack 7 1 cct Dimming	Voltage 1 120V 2 277V 3 347V	Ballast E Standard Ballast Consult website for ballast manufacturer information	Color & Finish W Standard White C Factory Color X Custom Color Consult website for color and finish options	Mounting Hardware <input type="text"/> <input type="text"/> Mount Type <input type="text"/> Suspension Length <input type="text"/> <i>Enter distance from ceiling to top of fixture in inches</i> Consult separate mounting spec sheet for mount type options	
		* Number of louver cells per 4ft section See details on reverse	See details on reverse	See details on reverse	Consult website for complete list of standard wiring options					

Upgrades & Accessories

Please indicate with check mark.

Lamps Included

Lamps Included and Installed

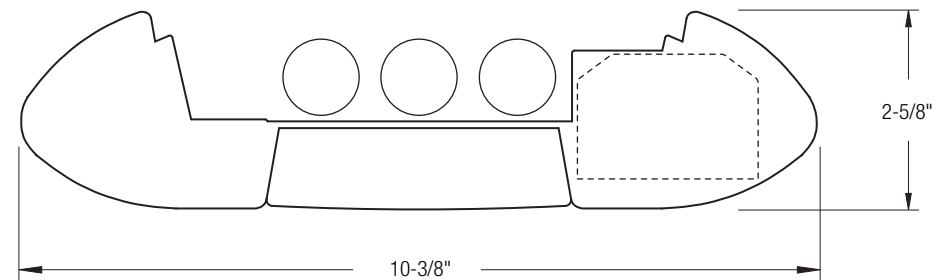
Lamp Guard
Not available with upper optics option U



Dust Cover



Response Daylight (Integrated Controls)
For details visit www.ledalite.com/response





Photometry Optics SZ Specular Louver w/ 1 Down / 2 Up Kit

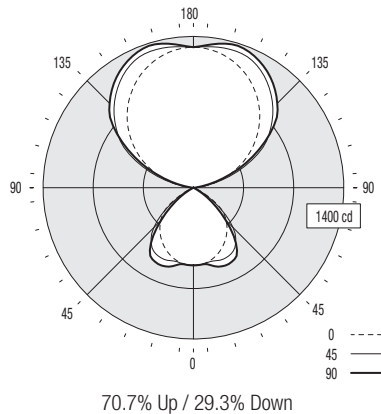
Report Summary

Report # 9900166 **Peak Candela Value*** 1378 @ 163°
Filename 8816T03SZ.ies **Peak to Zenith Ratio*** 1.1 : 1
Efficiency 65.9% * Between 90-180° vertical angle

Meets RP-1-04 recommendations for VDT-Normal spaces

Candela Distribution

Vertical Angle	Horizontal Angle					Zonal Lumens
	0	22.5	45	67.5	90	
0	719	719	719	719	719	
5	715	716	716	717	717	69
15	683	688	703	736	752	202
25	620	638	716	766	779	326
35	536	592	674	712	708	402
45	431	510	521	468	424	368
55	276	334	244	182	154	216
65	67	87	46	9	5	51
75	5	4	1	1	1	3
85	2	0	0	0	0	0
90	0	0	0	0	0	0
95	49	40	27	21	22	46
105	251	310	274	217	213	273
115	470	558	596	541	538	543
125	682	775	859	873	869	730
135	871	967	1046	1083	1104	788
145	1031	1116	1195	1230	1249	732
155	1157	1217	1298	1328	1344	585
165	1246	1276	1325	1361	1375	373
175	1294	1299	1310	1320	1323	128
180	1301	1301	1301	1301	1301	



Coefficients of Utilization (%)

Ceiling: Walk:	80				70				50				0
	70	50	30	10	70	50	30	10	50	30	10	0	
0 RCR	67	67	67	67	60	60	60	47	47	47	18		
1	61	59	57	54	55	53	51	41	40	39	16		
2	56	52	48	45	50	47	43	37	35	33	14		
3	51	46	41	38	46	41	38	33	30	28	12		
4	47	41	36	32	42	37	33	29	26	24	11		
5	43	36	31	28	39	33	28	26	23	21	10		
6	40	32	27	24	36	29	25	23	20	18	8		
7	37	29	24	21	33	26	22	21	18	16	7		
8	34	26	22	18	30	24	20	19	16	14	7		
9	32	24	19	16	28	22	18	17	14	12	6		
10	29	22	17	14	26	20	16	16	13	11	5		

Based on a floor reflectance of 0.2

Avg. Luminance (cd/m²)

Vertical Angle	Horizontal Angle		
	0	45	90
55	2311	2043	1290
65	762	523	57
75	93	19	19
85	110	0	0

IES files for this and other photometric options can be downloaded online at www.ledalite.com

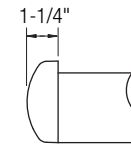
Additional Information

Modules

Module length excludes endcaps.
Nominal mount spacing for individually mounted modules with fixed position mounts.

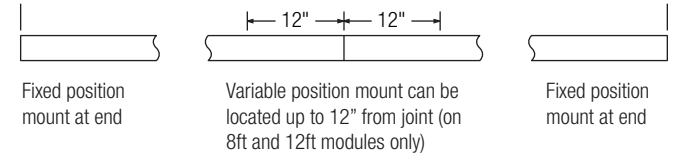
Module	Mount Spacing
4ft	4' 0"
8ft	8' 0"
12ft	12' 0"

Endcap



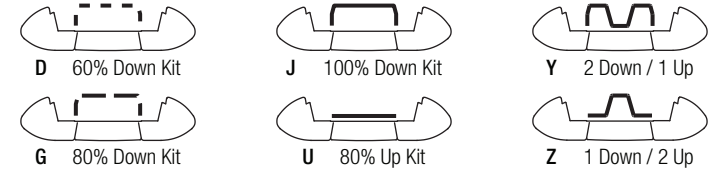
Mounting in Runs

Fixed position mounts supplied standard at ends.
Variable position mounts supplied standard at joints.
Variable position mounts cannot be located on 4ft modules. Optional variable position mounts at ends available upon request (8ft and 12ft modules only).



Upper Optics

Downlight kits and lamp separators are not recommended with white louvers (lower optics option W), due to potential for excessive louver brightness or shadowing.



Specifications

Due to continuing product improvements, Ledalite reserves the right to change specifications without notice.

Housing

6063 T5 extruded aluminum.

Weight

2.7 lb/ft.

Optical System

Constructed of 96% reflective white steel to produce a direct/indirect distribution. Louvers are available in white blades and aluminum specular or semi-specular blades. White louver blades are spaced 1.3" apart and are 1.1" deep (34 cells per 4ft section). Standard specular and semi-specular louver blades are spaced 3" apart and are 1" deep (15 cells per 4ft section). Specular VDT and semi-specular VDT louver blades are spaced 1.5" apart and are 1" deep (30 cells per 4ft section). Optional field-installable Variable Optics kits provide additional up or downlight as required.

Endcaps

Aluminum die-cast endcaps, baked powder coat finish for color.

Joints

Self-aligning joining system.

Mounting

Fixed position mounts supplied standard at ends. Variable position mounts supplied standard at joints. Variable position mounts can be located on 8ft or 12ft modules within 12" of joint or end. Aircraft cable gripper is tamper-resistant and provides infinite vertical adjustment capability. Aircraft cable, crimp and cable gripper independently tested to meet stringent safety requirements.

Electrical

Factory pre-wired to section ends with quick-wire connectors.

Ballast

Electronic.

Approvals

Certified to UL and CSA standards.

Finish

High-quality powder coat. Available in Ledalite Standard White (textured matte finish), and a selection of other factory and customer-specified colors. Consult factory for details.