

Achieva®

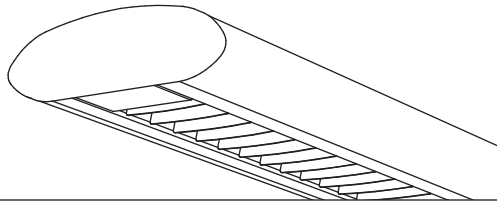


Project Name

Spec Type

Notes

Suspended
Direct/Indirect
3 T8



Order Guide

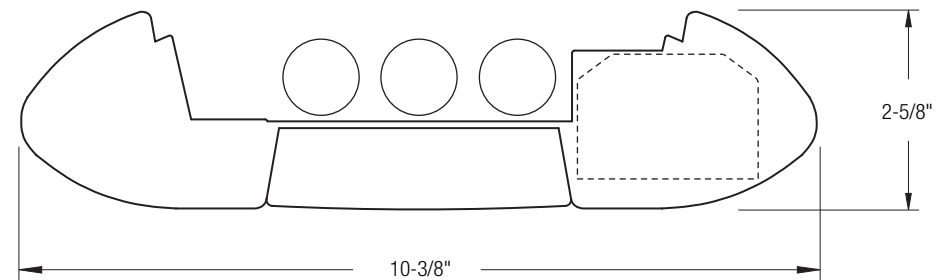
Some combinations of product options may not be available. Consult factory for assistance with your specification.

8816	T03			-		-		-	
Product Series & Type Achieva Direct/Indirect	Lamping 3 T8	Lower Optics W White Louver (34*) P Semi-Specular Louver (15*) S Specular Louver (15*) M Semi-Specular VDT Louver (30*) R Specular VDT Louver (30*)	Upper Optics N None D 60% Down Kit G 80% Down Kit J 100% Down Kit U 80% Up Kit Y 2 Down / 1 Up Z 1 Down / 2 Up	Run Length <i>Enter the total run length in feet (4ft increments)</i>	Wiring 1 1 cct 2 2 cct 3 1 cct w/ Emergency cct 4 2 cct w/ Emergency cct 5 1 cct w/ Battery Pack 6 2 cct w/ Battery Pack 7 1 cct Dimming	Voltage 1 120V 2 277V 3 347V	Ballast E Standard Ballast Consult website for ballast manufacturer information	Color & Finish W Standard White C Factory Color X Custom Color Consult website for color and finish options	
<h3>Mounting Hardware</h3>									
Mount Type					Suspension Length				
Consult separate mounting spec sheet for mount type options					Enter distance from ceiling to top of fixture in inches				

Upgrades & Accessories

Please indicate with check mark.

<input type="checkbox"/> Lamps Included	<input type="checkbox"/> Lamps Included and Installed
<input type="checkbox"/> Lamp Guard Not available with upper optics option U	<input type="checkbox"/> Dust Cover
<input type="checkbox"/> Response Daylight (Integrated Controls) For details visit www.ledalite.com/response	





Photometry Optics MZ Semi-Specular VDT Louver w/ 1 Down / 2 Up Kit

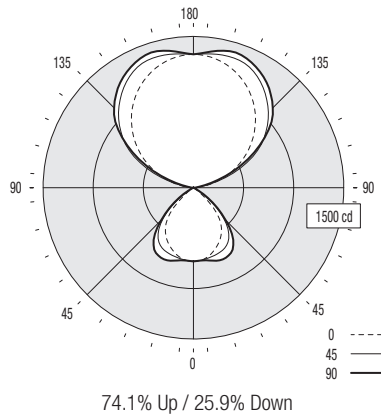
Report Summary

Report # 9900396 **Peak Candela Value*** 1406 @ 163°
Filename 8816T03MZ.ies **Peak to Zenith Ratio*** 1.1 : 1
Efficiency 63.4% * Between 90-180° vertical angle

Meets RP-1-04 recommendations for VDT-Intensive spaces

Candela Distribution

Vertical Angle	Horizontal Angle					Zonal Lumens
	0	22.5	45	67.5	90	
0	731	731	731	731	731	70
5	726	725	725	726	726	200
15	680	682	707	738	748	315
25	600	619	686	747	766	374
35	487	537	615	674	693	300
45	281	338	424	453	453	114
55	42	65	129	170	176	16
65	9	11	11	14	10	4
75	5	4	3	2	3	0
85	2	1	0	0	0	45
90	0	0	0	0	0	257
95	49	37	26	25	26	537
105	242	306	251	192	181	731
115	462	558	587	535	520	796
125	678	779	861	871	868	744
135	870	979	1057	1100	1119	597
145	1039	1133	1212	1253	1273	380
155	1172	1236	1320	1355	1371	130
165	1265	1297	1349	1387	1402	
175	1315	1321	1332	1342	1345	
180	1323	1323	1323	1323	1323	



Coefficients of Utilization (%)

Ceiling: Wall:	80				70				50				0
	70	50	30	10	70	50	30	10	50	30	10	0	
0 RCR	64	64	64	64	57	57	57	43	43	43	15		
1	58	56	54	52	52	50	48	39	38	36	14		
2	54	49	46	43	48	44	41	34	33	31	12		
3	49	44	40	36	44	39	36	31	28	26	11		
4	45	39	34	31	40	35	31	27	25	23	10		
5	41	35	30	27	37	31	27	25	22	20	9		
6	38	31	26	23	34	28	24	22	19	17	8		
7	35	28	23	20	31	25	21	20	17	15	7		
8	33	25	21	18	29	23	19	18	15	13	6		
9	30	23	19	16	27	21	17	17	14	12	6		
10	28	21	17	14	25	19	15	15	13	11	5		

Based on a floor reflectance of 0.2

Avg. Luminance (cd/m²)

Vertical Angle	Horizontal Angle		
	0	45	90
55	597	1833	2501
65	174	212	193
75	157	94	94
85	187	0	0

IES files for this and other photometric options can be downloaded online at www.ledalite.com

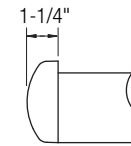
Additional Information

Modules

Module length excludes endcaps. Nominal mount spacing for individually mounted modules with fixed position mounts.

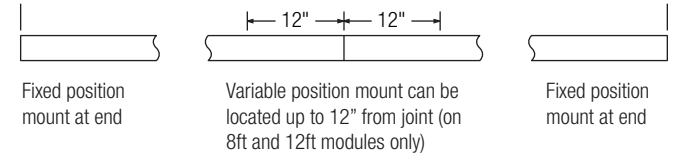
Module	Mount Spacing
4ft	4' 0"
8ft	8' 0"
12ft	12' 0"

Endcap



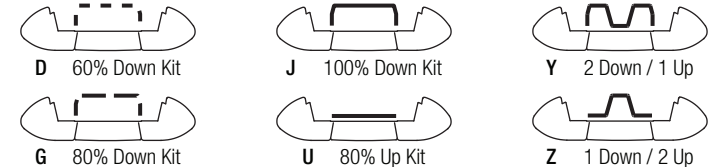
Mounting in Runs

Fixed position mounts supplied standard at ends. Variable position mounts supplied standard at joints. Variable position mounts cannot be located on 4ft modules. Optional variable position mounts at ends available upon request (8ft and 12ft modules only).



Upper Optics

Downlight kits and lamp separators are not recommended with white louvers (lower optics option W), due to potential for excessive louver brightness or shadowing.



Specifications

Due to continuing product improvements, Ledalite reserves the right to change specifications without notice.

Housing

6063 T5 extruded aluminum.

Weight

2.7 lb/ft.

Optical System

Constructed of 96% reflective white steel to produce a direct/indirect distribution. Louvers are available in white blades and aluminum specular or semi-specular blades. White louver blades are spaced 1.3" apart and are 1.1" deep (34 cells per 4ft section). Standard specular and semi-specular louver blades are spaced 3" apart and are 1" deep (15 cells per 4ft section). Specular VDT and semi-specular VDT louver blades are spaced 1.5" apart and are 1" deep (30 cells per 4ft section). Optional field-installable Variable Optics kits provide additional up or downlight as required.

Endcaps

Aluminum die-cast endcaps, baked powder coat finish for color.

Joints

Self-aligning joining system.

Mounting

Fixed position mounts supplied standard at ends. Variable position mounts supplied standard at joints. Variable position mounts can be located on 8ft or 12ft modules within 12" of joint or end. Aircraft cable gripper is tamper-resistant and provides infinite vertical adjustment capability. Aircraft cable, crimp and cable gripper independently tested to meet stringent safety requirements.

Electrical

Factory pre-wired to section ends with quick-wire connectors.

Ballast

Electronic.

Approvals

Certified to UL and CSA standards.

Finish

High-quality powder coat. Available in Ledalite Standard White (textured matte finish), and a selection of other factory and customer-specified colors. Consult factory for details.