

# Achieva®



Project Name

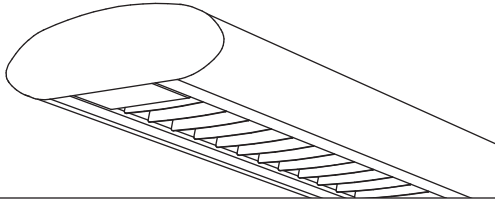
Spec Type

Notes

Suspended

Direct/Indirect

3 T5HO



## Order Guide

Some combinations of product options may not be available. Consult factory for assistance with your specification.

<b>8816</b>	<b>H03</b>	<input type="text"/>	<input type="text"/>	-	<input type="text"/>	-	<input type="text"/>	-	<input type="text"/>	-	<input type="text"/>
<b>Product Series &amp; Type</b> Achieva Direct/Indirect	<b>Lamping</b> 3 T5HO	<b>Lower Optics</b> <b>W</b> White Louver (34*) <b>P</b> Semi-Specular Louver (15*) <b>S</b> Specular Louver (15*) <b>M</b> Semi-Specular VDT Louver (30*) <b>R</b> Specular VDT Louver (30*)	<b>Upper Optics</b> <b>N</b> None <b>D</b> 60% Down Kit <b>G</b> 80% Down Kit <b>J</b> 100% Down Kit <b>U</b> 80% Up Kit <b>Y</b> 2 Down / 1 Up <b>Z</b> 1 Down / 2 Up	<b>Run Length</b> <i>Enter the total run length in feet (4ft increments)</i>	<b>Wiring</b> <b>1</b> 1 cct <b>2</b> 2 cct <b>3</b> 1 cct w/ Emergency cct <b>4</b> 2 cct w/ Emergency cct <b>5</b> 1 cct w/ Battery Pack <b>6</b> 2 cct w/ Battery Pack <b>7</b> 1 cct Dimming	<b>Voltage</b> <b>1</b> 120V <b>2</b> 277V <b>3</b> 347V	<b>Ballast</b> <b>E</b> Standard Ballast  <small>Consult website for ballast manufacturer information</small>	<b>Color &amp; Finish</b> <b>W</b> Standard White <b>C</b> Factory Color <b>X</b> Custom Color  <small>Consult website for color and finish options</small>			
<b>Mounting Hardware</b>											
<input type="text"/>											
<b>Mount Type</b> <small>Consult separate mounting spec sheet for mount type options</small>						<b>Suspension Length</b> <i>Enter distance from ceiling to top of fixture in inches</i>					

## Upgrades & Accessories

Please indicate with check mark.

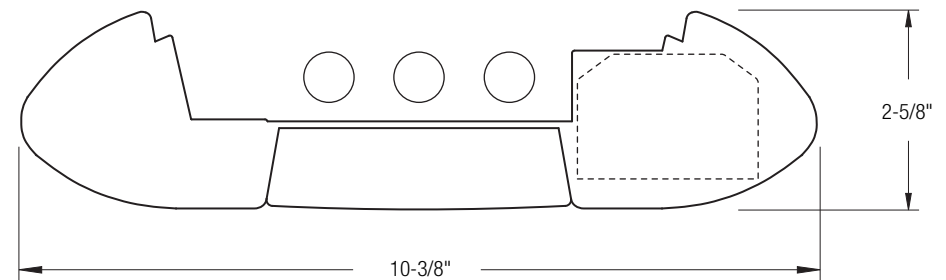
Lamps Included

Lamps Included and Installed

Lamp Guard  
Not available with upper optics option U



Response Daylight (Integrated Controls)  
For details visit [www.ledalite.com/response](http://www.ledalite.com/response)



# Achieva®

Suspended  
Direct/Indirect  
3 T5HO



## Photometry Optics SU Specular Louver w/ 80% Up Kit

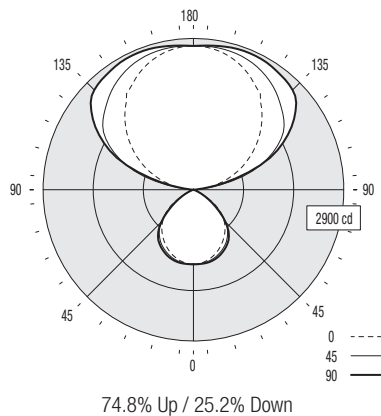
### Report Summary

**Report #** 9900410 **Peak Candela Value\*** 2834 @ 158°  
**Filename** 8816H03SU.ies **Peak to Zenith Ratio\*** 1 : 1  
**Efficiency** 94.1% \* Between 90-180° vertical angle

Meets RP-1-04 recommendations for VDT-Normal spaces

### Candela Distribution

Vertical Angle	Horizontal Angle					Zonal Lumens
	0	22.5	45	67.5	90	
0	1431	1431	1431	1431	1431	
5	1420	1422	1426	1429	1430	138
15	1344	1359	1384	1405	1410	389
25	1215	1245	1287	1318	1325	589
35	1046	1083	1133	1158	1181	700
45	835	879	882	871	871	664
55	523	537	490	439	436	434
65	121	136	140	120	122	139
75	9	6	3	2	2	9
85	3	0	0	0	0	0
90	0	0	0	0	0	0
95	127	180	116	66	65	177
105	577	915	988	874	854	912
115	1037	1362	1692	1750	1785	1526
125	1469	1726	2136	2316	2370	1803
135	1867	2053	2358	2616	2704	1797
145	2248	2331	2553	2724	2786	1583
155	2469	2541	2684	2791	2832	1228
165	2651	2682	2748	2803	2821	776
175	2745	2750	2763	2773	2774	267
180	2757	2757	2757	2757	2757	



### Coefficients of Utilization (%)

Ceiling: Wall:	80				70				50				0
	70	50	30	10	70	50	30	10	50	30	10	0	
0 RCR	94	94	94	94	84	84	84	64	64	64	21		
1	87	83	80	77	77	74	71	57	55	53	19		
2	79	73	68	63	70	65	61	50	47	45	17		
3	72	64	58	53	64	57	52	45	41	38	15		
4	66	57	50	45	59	51	45	40	36	33	13		
5	61	51	44	38	54	45	39	35	31	28	11		
6	56	45	38	33	50	41	35	32	28	24	10		
7	52	41	34	29	46	37	31	29	24	21	9		
8	48	37	30	25	42	33	27	26	22	19	8		
9	44	33	27	22	39	30	24	24	20	17	7		
10	41	31	24	20	37	28	22	22	18	15	6		

Based on a floor reflectance of 0.2

### Avg. Luminance (cd/m<sup>2</sup>)

Vertical Angle	Horizontal Angle		
	0	45	90
55	7433	6964	6196
65	2334	2700	2353
75	283	94	63
85	281	0	0

IES files for this and other photometric options can be downloaded online at [www.ledalite.com](http://www.ledalite.com)

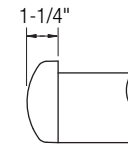
## Additional Information

### Modules

Module length excludes endcaps.  
Nominal mount spacing for individually mounted modules with fixed position mounts.

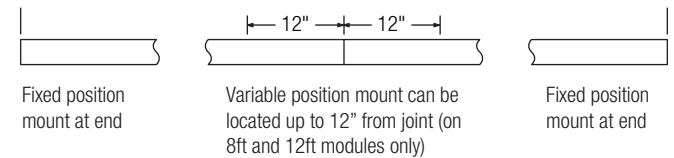
Module	Mount Spacing
4ft	4' 0"
8ft	8' 0"
12ft	12' 0"

### Endcap



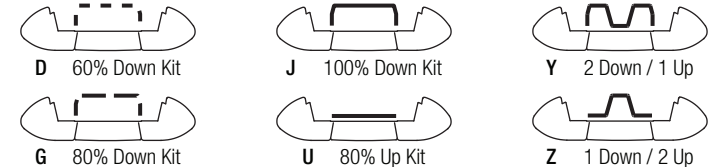
### Mounting in Runs

Fixed position mounts supplied standard at ends.  
Variable position mounts supplied standard at joints.  
Variable position mounts cannot be located on 4ft modules. Optional variable position mounts at ends available upon request (8ft and 12ft modules only).



### Upper Optics

Downlight kits and lamp separators are not recommended with white louvers (lower optics option W), due to potential for excessive louver brightness or shadowing.



## Specifications

Due to continuing product improvements, Ledalite reserves the right to change specifications without notice.

### Housing

6063 T5 extruded aluminum.

### Weight

2.7 lb/ft.

### Optical System

Constructed of 96% reflective white steel to produce a direct/indirect distribution. Louvers are available in white blades and aluminum specular or semi-specular blades. White louver blades are spaced 1.3" apart and are 1.1" deep (34 cells per 4ft section). Standard specular and semi-specular louver blades are spaced 3" apart and are 1" deep (15 cells per 4ft section). Specular VDT and semi-specular VDT louver blades are spaced 1.5" apart and are 1" deep (30 cells per 4ft section). Optional field-installable Variable Optics kits provide additional up or downlight as required.

### Endcaps

Aluminum die-cast endcaps, baked powder coat finish for color.

### Joints

Self-aligning joining system.

### Mounting

Fixed position mounts supplied standard at ends. Variable position mounts supplied standard at joints. Variable position mounts can be located on 8ft or 12ft modules within 12" of joint or end. Aircraft cable gripper is tamper-resistant and provides infinite vertical adjustment capability. Aircraft cable, crimp and cable gripper independently tested to meet stringent safety requirements.

### Electrical

Factory pre-wired to section ends with quick-wire connectors.

### Ballast

Electronic.

### Approvals

Certified to UL and CSA standards.

### Finish

High-quality powder coat. Available in Ledalite Standard White (textured matte finish), and a selection of other factory and customer-specified colors. Consult factory for details.