

Achieva®



Project Name

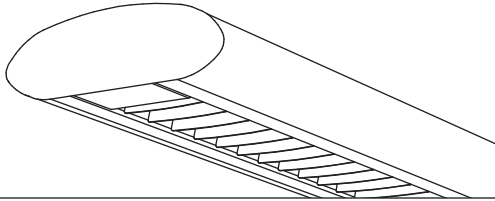
Spec Type

Notes

Suspended

Direct/Indirect

3 T5HO



Order Guide

Some combinations of product options may not be available. Consult factory for assistance with your specification.

8816	H03	<input type="text"/>	<input type="text"/>	-	<input type="text"/>	-	<input type="text"/>	-	<input type="text"/>	-	<input type="text"/>
Product Series & Type Achieva Direct/Indirect	Lamping 3 T5HO	Lower Optics W White Louver (34*) P Semi-Specular Louver (15*) S Specular Louver (15*) M Semi-Specular VDT Louver (30*) R Specular VDT Louver (30*)	Upper Optics N None D 60% Down Kit G 80% Down Kit J 100% Down Kit U 80% Up Kit Y 2 Down / 1 Up Z 1 Down / 2 Up	Run Length <i>Enter the total run length in feet (4ft increments)</i>	Wiring 1 1 cct 2 2 cct 3 1 cct w/ Emergency cct 4 2 cct w/ Emergency cct 5 1 cct w/ Battery Pack 6 2 cct w/ Battery Pack 7 1 cct Dimming	Voltage 1 120V 2 277V 3 347V	Ballast E Standard Ballast Consult website for ballast manufacturer information	Color & Finish W Standard White C Factory Color X Custom Color Consult website for color and finish options			
										Mounting Hardware	
										<input type="text"/>	<input type="text"/>
										Mount Type Consult separate mounting spec sheet for mount type options	Suspension Length <i>Enter distance from ceiling to top of fixture in inches</i>
		* Number of louver cells per 4ft section See details on reverse	See details on reverse	See details on reverse	Consult website for complete list of standard wiring options						

Upgrades & Accessories

Please indicate with check mark.

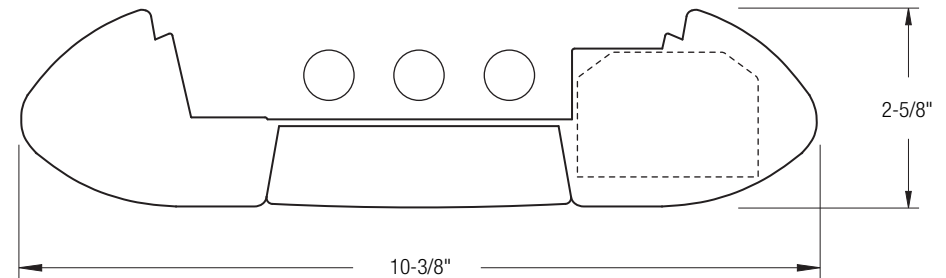
Lamps Included

Lamps Included and Installed

Lamp Guard
Not available with upper optics option U



Response Daylight (Integrated Controls)
For details visit www.ledalite.com/response



Achieva®

Suspended
Direct/Indirect
3 T5HO



Photometry Optics RZ Specular VDT Louver w/ 1 Down / 2 Up Kit

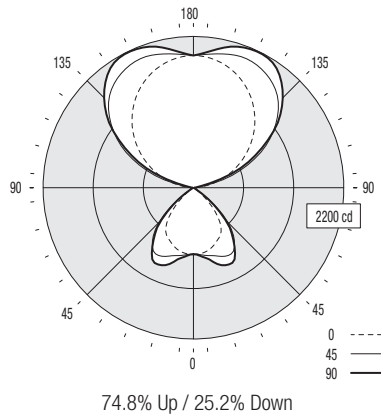
Report Summary

Report # 2101316 **Peak Candela Value*** 2188 @ 153°
Filename 8816H03RZ.ies **Peak to Zenith Ratio*** 1.1 : 1
Efficiency 62.7% * Between 90-180° vertical angle

Meets RP-1-04 recommendations for VDT-Intensive spaces

Candela Distribution

Vertical Angle	Horizontal Angle					Zonal Lumens
	0	22.5	45	67.5	90	
0	969	969	969	969	969	95
5	967	965	975	986	990	290
15	926	951	1023	1091	1117	492
25	837	927	1100	1204	1231	596
35	704	885	1048	1060	1049	662
45	373	485	713	673	662	132
55	56	66	175	157	149	17
65	8	12	16	21	17	13
75	7	11	13	15	16	16
85	9	11	15	16	17	62
90	6	9	11	12	13	250
95	89	48	30	22	28	878
105	375	520	444	237	250	1181
115	684	916	981	877	891	1279
125	986	1243	1427	1431	1430	1177
135	1268	1504	1756	1827	1848	915
145	1510	1706	1941	2079	2120	565
155	1703	1831	2024	2145	2188	189
165	1840	1901	2009	2100	2125	1923
175	1913	1924	1946	1968	1972	1923
180	1923	1923	1923	1923	1923	



Coefficients of Utilization (%)

Ceiling: Wall:	80				70				50				0
	70	50	30	10	70	50	30	10	50	30	10	0	
0 RCR	63	63	63	63	56	56	56	43	43	43	15		
1	58	55	53	51	51	49	47	38	37	36	13		
2	53	49	45	42	47	44	41	34	32	30	12		
3	48	43	39	36	43	39	35	30	28	26	10		
4	44	38	34	30	39	34	31	27	24	22	9		
5	41	34	30	26	36	31	27	24	21	19	8		
6	38	31	26	23	33	28	24	22	19	17	7		
7	35	28	23	20	31	25	21	20	17	15	7		
8	32	25	21	17	29	23	19	18	15	13	6		
9	30	23	18	15	27	21	17	16	14	12	5		
10	28	21	17	14	25	19	15	15	12	10	5		

Based on a floor reflectance of 0.2

Avg. Luminance (cd/m²)

Vertical Angle	Horizontal Angle		
	0	45	90
55	469	1466	1248
65	91	182	193
75	130	241	297
85	496	827	937

IES files for this and other photometric options can be downloaded online at www.ledalite.com

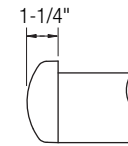
Additional Information

Modules

Module length excludes endcaps.
Nominal mount spacing for individually mounted modules with fixed position mounts.

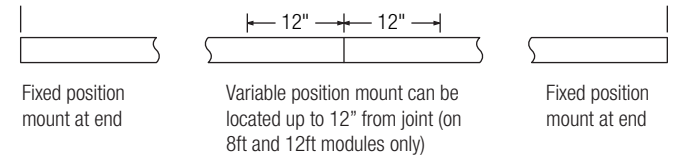
Module	Mount Spacing
4ft	4' 0"
8ft	8' 0"
12ft	12' 0"

Endcap



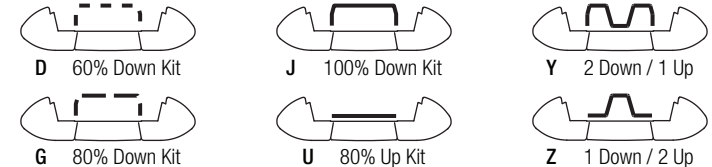
Mounting in Runs

Fixed position mounts supplied standard at ends.
Variable position mounts supplied standard at joints.
Variable position mounts cannot be located on 4ft modules. Optional variable position mounts at ends available upon request (8ft and 12ft modules only).



Upper Optics

Downlight kits and lamp separators are not recommended with white louvers (lower optics option W), due to potential for excessive louver brightness or shadowing.



Specifications

Due to continuing product improvements, Ledalite reserves the right to change specifications without notice.

Housing

6063 T5 extruded aluminum.

Weight

2.7 lb/ft.

Optical System

Constructed of 96% reflective white steel to produce a direct/indirect distribution. Louvers are available in white blades and aluminum specular or semi-specular blades. White louver blades are spaced 1.3" apart and are 1.1" deep (34 cells per 4ft section). Standard specular and semi-specular louver blades are spaced 3" apart and are 1" deep (15 cells per 4ft section). Specular VDT and semi-specular VDT louver blades are spaced 1.5" apart and are 1" deep (30 cells per 4ft section). Optional field-installable Variable Optics kits provide additional up or downlight as required.

Endcaps

Aluminum die-cast endcaps, baked powder coat finish for color.

Joints

Self-aligning joining system.

Mounting

Fixed position mounts supplied standard at ends. Variable position mounts supplied standard at joints. Variable position mounts can be located on 8ft or 12ft modules within 12" of joint or end. Aircraft cable gripper is tamper-resistant and provides infinite vertical adjustment capability. Aircraft cable, crimp and cable gripper independently tested to meet stringent safety requirements.

Electrical

Factory pre-wired to section ends with quick-wire connectors.

Ballast

Electronic.

Approvals

Certified to UL and CSA standards.

Finish

High-quality powder coat. Available in Ledalite Standard White (textured matte finish), and a selection of other factory and customer-specified colors. Consult factory for details.