

# Achieva®



Project Name

Spec Type

Notes

Suspended  
 Direct/Indirect  
 3 T5HO



## Order Guide

Some combinations of product options may not be available. Consult factory for assistance with your specification.


<b>8816</b>	<b>H03</b>			-		-		-	
<b>Product Series &amp; Type</b> Achieva Direct/Indirect	<b>Lamping</b> 3 T5HO	<b>Lower Optics</b> <b>W</b> White Louver (34*) <b>P</b> Semi-Specular Louver (15*) <b>S</b> Specular Louver (15*) <b>M</b> Semi-Specular VDT Louver (30*) <b>R</b> Specular VDT Louver (30*)	<b>Upper Optics</b> <b>N</b> None <b>D</b> 60% Down Kit <b>G</b> 80% Down Kit <b>J</b> 100% Down Kit <b>U</b> 80% Up Kit <b>Y</b> 2 Down / 1 Up <b>Z</b> 1 Down / 2 Up	<b>Run Length</b> Enter the total run length in feet (4ft increments)	<b>Wiring</b> <b>1</b> 1 cct <b>2</b> 2 cct <b>3</b> 1 cct w/ Emergency cct <b>4</b> 2 cct w/ Emergency cct <b>5</b> 1 cct w/ Battery Pack <b>6</b> 2 cct w/ Battery Pack <b>7</b> 1 cct Dimming	<b>Voltage</b> <b>1</b> 120V <b>2</b> 277V <b>3</b> 347V	<b>Ballast</b> <b>E</b> Standard Ballast  Consult website for ballast manufacturer information	<b>Color &amp; Finish</b> <b>W</b> Standard White <b>C</b> Factory Color <b>X</b> Custom Color  Consult website for color and finish options	
		* Number of louver cells per 4ft section See details on reverse		See details on reverse	See details on reverse	Consult website for complete list of standard wiring options	<b>Mounting Hardware</b> <input type="text"/> <input type="text"/> <b>Mount Type</b> <input type="text"/> <b>Suspension Length</b> <input type="text"/> Consult separate mounting spec sheet for mount type options Enter distance from ceiling to top of fixture in inches		

## Upgrades & Accessories

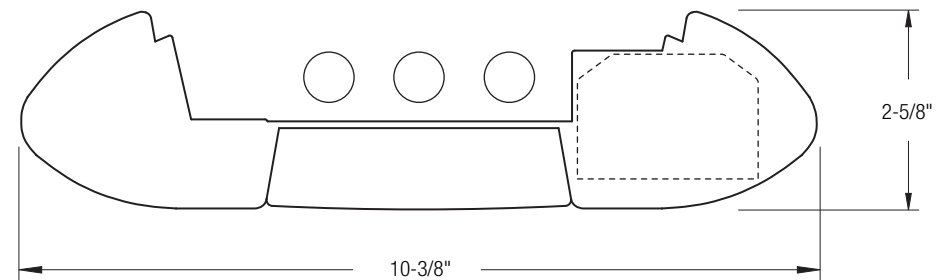
Please indicate with check mark.

Lamps Included  Lamps Included and Installed

Lamp Guard  
Not available with upper optics option U



Response Daylight (Integrated Controls)  
For details visit [www.ledalite.com/response](http://www.ledalite.com/response)



Suspended  
Direct/Indirect  
3 T5HO



**Photometry** Optics RU Specular VDT Louver w/ 80% Up Kit

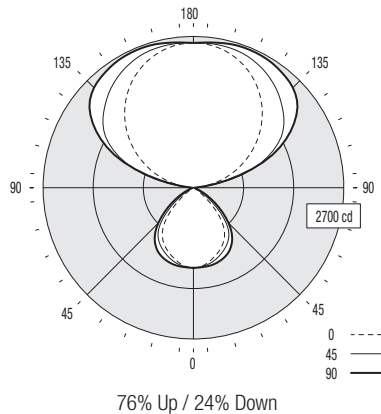
**Report Summary**

**Report #** 2101315 **Peak Candela Value\*** 2660 @ 158°  
**Filename** 8816H03RU.ies **Peak to Zenith Ratio\*** 1 : 1  
**Efficiency** 86.6% \* Between 90-180° vertical angle

Meets RP-1-04 recommendations for VDT-Normal spaces

**Candela Distribution**

Vertical Angle	Horizontal Angle					Zonal Lumens
	0	22.5	45	67.5	90	
0	1430	1430	1430	1430	1430	
5	1415	1414	1422	1425	1427	137
15	1314	1317	1363	1400	1415	384
25	1179	1193	1254	1314	1353	579
35	973	1000	1103	1141	1203	671
45	556	577	774	802	892	547
55	101	117	314	398	474	257
65	11	18	36	101	152	68
75	10	16	19	21	22	21
85	12	15	20	22	22	20
90	8	14	15	16	18	
95	103	162	100	50	69	160
105	499	839	923	757	851	836
115	941	1250	1586	1603	1715	1420
125	1364	1602	1983	2164	2257	1685
135	1743	1918	2211	2433	2525	1677
145	2064	2182	2392	2552	2618	1482
155	2314	2380	2517	2617	2658	1155
165	2485	2513	2579	2633	2651	728
175	2574	2577	2591	2601	2603	252
180	2585	2585	2585	2585	2585	



**Coefficients of Utilization (%)**

Ceiling: Wall:	80				70				50				0			
	70	50	30	10	70	50	30	10	50	30	10	0	70	50	30	10
0 RCR	87	87	87	87	77	77	77	58	58	58	19					
1	79	76	73	70	70	67	65	52	50	49	17					
2	73	67	62	58	64	60	56	46	43	41	15					
3	66	59	53	49	59	53	48	41	38	35	13					
4	61	52	46	41	54	47	42	36	33	30	12					
5	56	47	40	36	49	42	36	33	29	26	10					
6	51	42	35	31	46	38	32	29	26	23	9					
7	48	38	31	27	42	34	28	27	23	20	8					
8	44	34	28	24	39	31	25	24	20	18	7					
9	41	31	25	21	36	28	23	22	18	16	7					
10	38	28	23	19	34	26	20	20	17	14	6					

Based on a floor reflectance of 0.2

**Avg. Luminance (cd/m²)**

Vertical Angle	Horizontal Angle		
	0	45	90
55	846	2630	3970
65	125	409	1728
75	186	353	408
85	661	1102	1213

IES files for this and other photometric options can be downloaded online at [www.ledalite.com](http://www.ledalite.com)

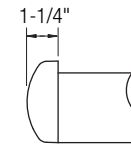
**Additional Information**

**Modules**

Module length excludes endcaps. Nominal mount spacing for individually mounted modules with fixed position mounts.

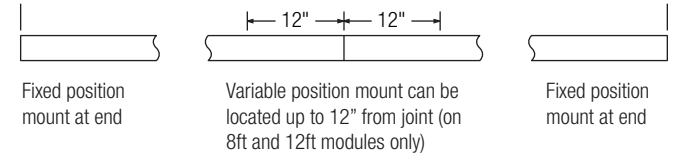
Module	Mount Spacing
4ft	4' 0"
8ft	8' 0"
12ft	12' 0"

**Endcap**



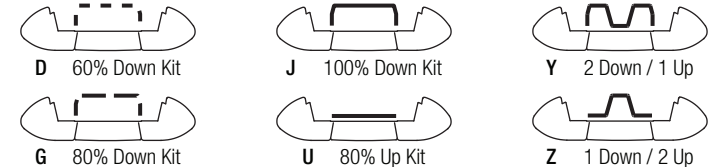
**Mounting in Runs**

Fixed position mounts supplied standard at ends. Variable position mounts supplied standard at joints. Variable position mounts cannot be located on 4ft modules. Optional variable position mounts at ends available upon request (8ft and 12ft modules only).



**Upper Optics**

Downlight kits and lamp separators are not recommended with white louvers (lower optics option W), due to potential for excessive louver brightness or shadowing.



**Specifications**

Due to continuing product improvements, Ledalite reserves the right to change specifications without notice.

**Housing**

6063 T5 extruded aluminum.

**Weight**

2.7 lb/ft.

**Optical System**

Constructed of 96% reflective white steel to produce a direct/indirect distribution. Louvers are available in white blades and aluminum specular or semi-specular blades. White louver blades are spaced 1.3" apart and are 1.1" deep (34 cells per 4ft section). Standard specular and semi-specular louver blades are spaced 3" apart and are 1" deep (15 cells per 4ft section). Specular VDT and semi-specular VDT louver blades are spaced 1.5" apart and are 1" deep (30 cells per 4ft section). Optional field-installable Variable Optics kits provide additional up or downlight as required.

**Endcaps**

Aluminum die-cast endcaps, baked powder coat finish for color.

**Joints**

Self-aligning joining system.

**Mounting**

Fixed position mounts supplied standard at ends. Variable position mounts supplied standard at joints. Variable position mounts can be located on 8ft or 12ft modules within 12" of joint or end. Aircraft cable gripper is tamper-resistant and provides infinite vertical adjustment capability. Aircraft cable, crimp and cable gripper independently tested to meet stringent safety requirements.

**Electrical**

Factory pre-wired to section ends with quick-wire connectors.

**Ballast**

Electronic.

**Approvals**

Certified to UL and CSA standards.

**Finish**

High-quality powder coat. Available in Ledalite Standard White (textured matte finish), and a selection of other factory and customer-specified colors. Consult factory for details.