

Achieva®



Project Name

Spec Type

Notes

Suspended
 Direct/Indirect
 3 T5HO



Order Guide

Some combinations of product options may not be available. Consult factory for assistance with your specification.


8816	H03			-		-		-	
Product Series & Type Achieva Direct/Indirect	Lamping 3 T5HO	Lower Optics W White Louver (34*) P Semi-Specular Louver (15*) S Specular Louver (15*) M Semi-Specular VDT Louver (30*) R Specular VDT Louver (30*)	Upper Optics N None D 60% Down Kit G 80% Down Kit J 100% Down Kit U 80% Up Kit Y 2 Down / 1 Up Z 1 Down / 2 Up	Run Length <i>Enter the total run length in feet (4ft increments)</i>	Wiring 1 1 cct 2 2 cct 3 1 cct w/ Emergency cct 4 2 cct w/ Emergency cct 5 1 cct w/ Battery Pack 6 2 cct w/ Battery Pack 7 1 cct Dimming	Voltage 1 120V 2 277V 3 347V	Ballast E Standard Ballast Consult website for ballast manufacturer information	Color & Finish W Standard White C Factory Color X Custom Color Consult website for color and finish options	
		* Number of louver cells per 4ft section See details on reverse		See details on reverse	See details on reverse	Consult website for complete list of standard wiring options	Mounting Hardware <input type="text"/> <input type="text"/> Mount Type <input type="text"/> Suspension Length <input type="text"/> Consult separate mounting spec sheet for mount type options <i>Enter distance from ceiling to top of fixture in inches</i>		

Upgrades & Accessories

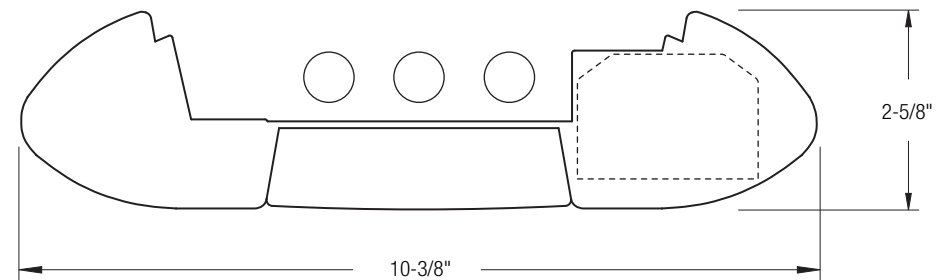
Please indicate with check mark.

Lamps Included Lamps Included and Installed

Lamp Guard
Not available with upper optics option U



Response Daylight (Integrated Controls)
For details visit www.ledalite.com/response



Achieva®

Suspended
Direct/Indirect
3 T5HO



Photometry Optics PN Semi-Specular Louver

Report Summary

Report # 9900356
Filename 8816H03PN.ies
Efficiency 92.6%

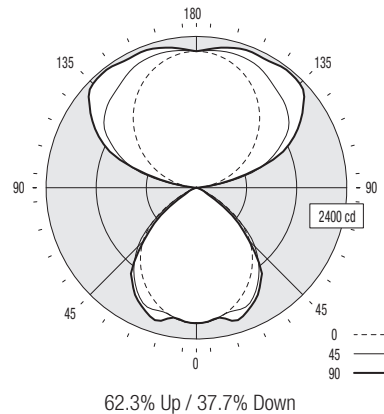
Peak Candela Value* 2358 @ 143°
Peak to Zenith Ratio* 1.1 : 1

* Between 90-180° vertical angle

Meets RP-1-04 recommendations for VDT-Normal spaces

Candela Distribution

Vertical Angle	Horizontal Angle					Zonal Lumens
	0	22.5	45	67.5	90	
0	2151	2151	2151	2151	2151	
5	2136	2137	2137	2138	2134	206
15	2019	2028	2040	2134	2186	587
25	1816	1831	2020	2071	2072	904
35	1547	1651	1732	1781	1792	1066
45	1208	1326	1322	1262	1188	979
55	729	806	679	602	524	603
65	190	222	170	129	135	183
75	17	15	12	10	6	20
85	4	2	1	1	1	2
90	0	0	0	0	0	
95	78	174	98	59	55	157
105	397	745	915	819	821	805
115	756	1098	1442	1568	1635	1306
125	1101	1365	1804	1993	2066	1507
135	1421	1631	1959	2237	2334	1485
145	1696	1856	2064	2264	2350	1287
155	1917	2022	2179	2281	2320	993
165	2070	2124	2210	2273	2296	622
175	2153	2165	2184	2202	2206	212
180	2165	2165	2165	2165	2165	



Coefficients of Utilization (%)

Ceiling: Wall:	80				70				50				0				
	70	50	30	10	70	50	30	10	50	30	10	0	70	50	30	10	0
0 RCR	95	95	95	95	86	86	86	69	69	69	32						
1	88	84	81	78	79	76	74	62	60	58	29						
2	81	74	69	65	73	68	63	55	52	49	25						
3	74	66	60	55	67	60	55	49	45	42	22						
4	68	59	52	47	61	53	48	44	40	36	19						
5	62	52	45	40	56	48	42	39	35	32	17						
6	57	47	40	35	52	43	37	35	31	28	15						
7	53	42	35	31	48	39	33	32	28	24	14						
8	49	38	32	27	45	35	29	29	25	22	12						
9	46	35	28	24	41	32	26	27	22	19	11						
10	43	32	26	21	39	29	24	25	20	17	10						

Based on a floor reflectance of 0.2

Avg. Luminance (cd/m²)

Vertical Angle	Horizontal Angle		
	0	45	90
55	10360	9650	7447
65	3665	3279	2604
75	535	378	189
85	374	94	94

IES files for this and other photometric options can be downloaded online at www.ledalite.com

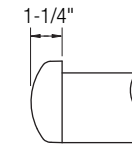
Additional Information

Modules

Module length excludes endcaps.
Nominal mount spacing for individually mounted modules with fixed position mounts.

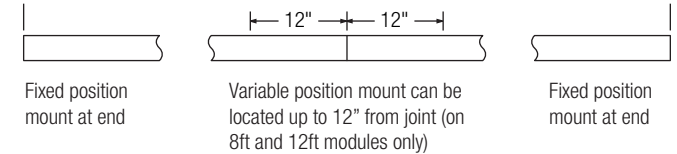
Module	Mount Spacing
4ft	4' 0"
8ft	8' 0"
12ft	12' 0"

Endcap



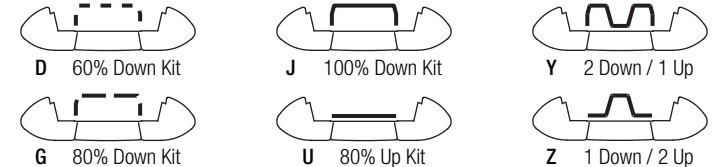
Mounting in Runs

Fixed position mounts supplied standard at ends.
Variable position mounts supplied standard at joints.
Variable position mounts cannot be located on 4ft modules. Optional variable position mounts at ends available upon request (8ft and 12ft modules only).



Upper Optics

Downlight kits and lamp separators are not recommended with white louvers (lower optics option W), due to potential for excessive louver brightness or shadowing.



Specifications

Due to continuing product improvements, Ledalite reserves the right to change specifications without notice.

Housing

6063 T5 extruded aluminum.

Weight

2.7 lb/ft.

Optical System

Constructed of 96% reflective white steel to produce a direct/indirect distribution. Louvers are available in white blades and aluminum specular or semi-specular blades. White louver blades are spaced 1.3" apart and are 1.1" deep (34 cells per 4ft section). Standard specular and semi-specular louver blades are spaced 3" apart and are 1" deep (15 cells per 4ft section). Specular VDT and semi-specular VDT louver blades are spaced 1.5" apart and are 1" deep (30 cells per 4ft section). Optional field-installable Variable Optics kits provide additional up or downlight as required.

Endcaps

Aluminum die-cast endcaps, baked powder coat finish for color.

Joints

Self-aligning joining system.

Mounting

Fixed position mounts supplied standard at ends. Variable position mounts supplied standard at joints. Variable position mounts can be located on 8ft or 12ft modules within 12" of joint or end. Aircraft cable gripper is tamper-resistant and provides infinite vertical adjustment capability. Aircraft cable, crimp and cable gripper independently tested to meet stringent safety requirements.

Electrical

Factory pre-wired to section ends with quick-wire connectors.

Ballast

Electronic.

Approvals

Certified to UL and CSA standards.

Finish

High-quality powder coat. Available in Ledalite Standard White (textured matte finish), and a selection of other factory and customer-specified colors. Consult factory for details.