

Achieva®

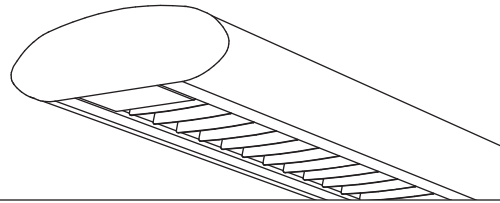


Project Name

Spec Type

Notes

Suspended
Direct/Indirect
3 T5HO



Order Guide

Some combinations of product options may not be available. Consult factory for assistance with your specification.

8816	H03			-		-		-	
Product Series & Type Achieva Direct/Indirect	Lamping 3 T5HO	Lower Optics W White Louver (34*) P Semi-Specular Louver (15*) S Specular Louver (15*) M Semi-Specular VDT Louver (30*) R Specular VDT Louver (30*)	Upper Optics N None D 60% Down Kit G 80% Down Kit J 100% Down Kit U 80% Up Kit Y 2 Down / 1 Up Z 1 Down / 2 Up	Run Length <i>Enter the total run length in feet (4ft increments)</i>	Wiring 1 1 cct 2 2 cct 3 1 cct w/ Emergency cct 4 2 cct w/ Emergency cct 5 1 cct w/ Battery Pack 6 2 cct w/ Battery Pack 7 1 cct Dimming	Voltage 1 120V 2 277V 3 347V	Ballast E Standard Ballast Consult website for ballast manufacturer information	Color & Finish W Standard White C Factory Color X Custom Color Consult website for color and finish options	
		* Number of louver cells per 4ft section See details on reverse		See details on reverse	See details on reverse	Consult website for complete list of standard wiring options	Mounting Hardware <input type="text"/> <input type="text"/> Mount Type <input type="text"/> Suspension Length <input type="text"/> Consult separate mounting spec sheet for mount type options <i>Enter distance from ceiling to top of fixture in inches</i>		

Upgrades & Accessories

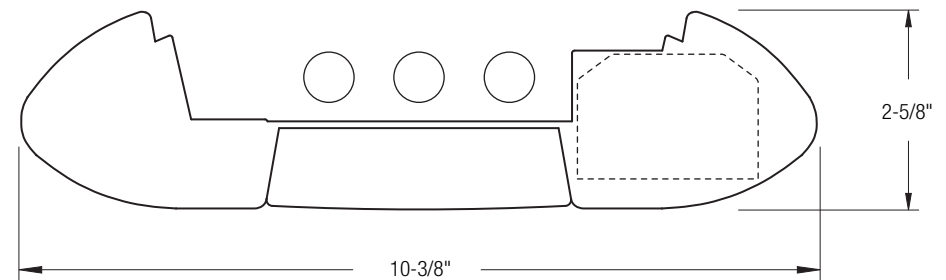
Please indicate with check mark.

Lamps Included Lamps Included and Installed

Lamp Guard
Not available with upper optics option U



Response Daylight (Integrated Controls)
For details visit www.ledalite.com/response



Suspended
Direct/Indirect
3 T5HO



Photometry Optics MU Semi-Specular VDT Louver w/ 80% Up Kit

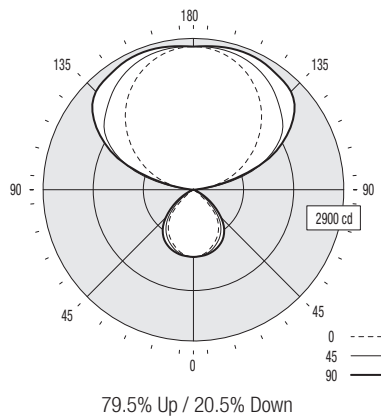
Report Summary

Report # 9900368 **Peak Candela Value*** 2810 @ 160°
Filename 8816H03MU.ies **Peak to Zenith Ratio*** 1 : 1
Efficiency 88.1% * Between 90-180° vertical angle

Meets RP-1-04 recommendations for VDT-Normal spaces

Candela Distribution

Vertical Angle	Horizontal Angle					Zonal Lumens
	0	22.5	45	67.5	90	
0	1289	1289	1289	1289	1289	
5	1277	1279	1281	1284	1283	124
15	1185	1198	1226	1253	1255	345
25	1041	1061	1103	1163	1178	511
35	842	872	924	992	1029	577
45	490	551	624	701	754	474
55	77	117	253	354	398	223
65	17	20	26	85	111	54
75	8	8	5	4	4	7
85	4	1	1	1	1	2
90	0	0	0	0	0	
95	127	183	113	66	69	177
105	580	909	970	856	841	903
115	1032	1351	1675	1735	1769	1515
125	1461	1705	2106	2296	2344	1786
135	1855	2039	2324	2579	2661	1775
145	2192	2319	2526	2685	2740	1565
155	2454	2532	2664	2767	2803	1222
165	2637	2671	2734	2786	2803	772
175	2731	2739	2750	2760	2763	267
180	2744	2744	2744	2744	2744	



Coefficients of Utilization (%)

Ceiling: Wall:	80				70				50				0			
	70	50	30	10	70	50	30	10	50	30	10	0	70	50	30	10
0 RCR	87	87	87	87	77	77	77	77	58	58	58	16				
1	80	77	74	71	71	68	65	61	51	50	48	15				
2	73	67	63	58	64	60	56	45	43	40	13					
3	67	60	54	49	59	53	48	40	37	34	11					
4	61	53	47	42	54	47	42	36	32	30	10					
5	56	47	41	36	50	42	36	32	28	26	9					
6	52	42	36	31	46	38	32	29	25	22	8					
7	48	38	31	27	42	34	28	26	22	20	7					
8	44	34	28	24	39	31	25	24	20	17	7					
9	41	31	25	21	36	28	23	22	18	15	6					
10	38	28	22	19	34	25	20	20	16	14	5					

Based on a floor reflectance of 0.2

Avg. Luminance (cd/m²)

Vertical Angle	Horizontal Angle		
	0	45	90
55	1094	3596	5656
65	328	501	2141
75	252	157	126
85	374	94	94

IES files for this and other photometric options can be downloaded online at www.ledalite.com

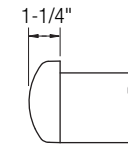
Additional Information

Modules

Module length excludes endcaps.
Nominal mount spacing for individually mounted modules with fixed position mounts.

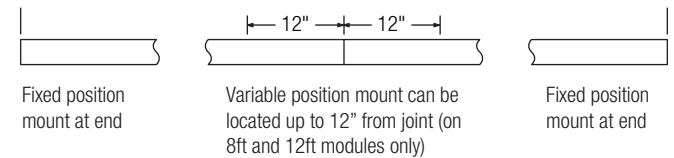
Module	Mount Spacing
4ft	4' 0"
8ft	8' 0"
12ft	12' 0"

Endcap



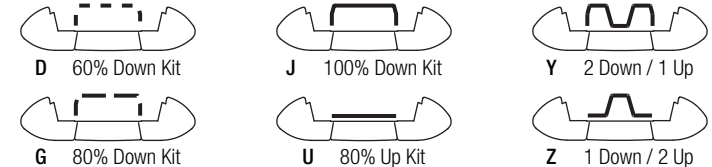
Mounting in Runs

Fixed position mounts supplied standard at ends.
Variable position mounts supplied standard at joints.
Variable position mounts cannot be located on 4ft modules. Optional variable position mounts at ends available upon request (8ft and 12ft modules only).



Upper Optics

Downlight kits and lamp separators are not recommended with white louvers (lower optics option W), due to potential for excessive louver brightness or shadowing.



Specifications

Due to continuing product improvements, Ledalite reserves the right to change specifications without notice.

Housing

6063 T5 extruded aluminum.

Weight

2.7 lb/ft.

Optical System

Constructed of 96% reflective white steel to produce a direct/indirect distribution. Louvers are available in white blades and aluminum specular or semi-specular blades. White louver blades are spaced 1.3" apart and are 1.1" deep (34 cells per 4ft section). Standard specular and semi-specular louver blades are spaced 3" apart and are 1" deep (15 cells per 4ft section). Specular VDT and semi-specular VDT louver blades are spaced 1.5" apart and are 1" deep (30 cells per 4ft section). Optional field-installable Variable Optics kits provide additional up or downlight as required.

Endcaps

Aluminum die-cast endcaps, baked powder coat finish for color.

Joints

Self-aligning joining system.

Mounting

Fixed position mounts supplied standard at ends. Variable position mounts supplied standard at joints. Variable position mounts can be located on 8ft or 12ft modules within 12" of joint or end. Aircraft cable gripper is tamper-resistant and provides infinite vertical adjustment capability. Aircraft cable, crimp and cable gripper independently tested to meet stringent safety requirements.

Electrical

Factory pre-wired to section ends with quick-wire connectors.

Ballast

Electronic.

Approvals

Certified to UL and CSA standards.

Finish

High-quality powder coat. Available in Ledalite Standard White (textured matte finish), and a selection of other factory and customer-specified colors. Consult factory for details.