

Achieva®



Project Name

Spec Type

Notes

Suspended
Direct/Indirect
2 T5HO



Order Guide

Some combinations of product options may not be available. Consult factory for assistance with your specification.

8816	H02			-		-		-		
Product Series & Type Achieva Direct/Indirect	Lamping 2 T5HO	Lower Optics W White Louver (34*) P Semi-Specular Louver (15*) S Specular Louver (15*) M Semi-Specular VDT Louver (30*) R Specular VDT Louver (30*)	Upper Optics N None D 60% Down Kit G 80% Down Kit J 100% Down Kit U 80% Up Kit	Run Length <i>Enter the total run length in feet (4ft increments)</i>	Wiring 1 1 cct 2 2 cct 3 1 cct w/ Emergency cct 4 2 cct w/ Emergency cct 5 1 cct w/ Battery Pack 6 2 cct w/ Battery Pack 7 1 cct Dimming	Voltage 1 120V 2 277V 3 347V	Ballast E Standard Ballast Consult website for ballast manufacturer information	Color & Finish W Standard White C Factory Color X Custom Color Consult website for color and finish options	Mounting Hardware <input type="text"/> <input type="text"/>	
		* Number of louver cells per 4ft section See details on reverse	See details on reverse	See details on reverse	Consult website for complete list of standard wiring options	Consult separate mounting spec sheet for mount type options	Suspension Length <i>Enter distance from ceiling to top of fixture in inches</i>			

Upgrades & Accessories

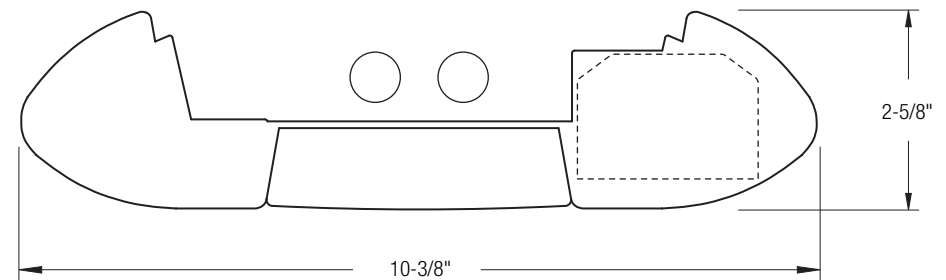
Please indicate with check mark.

Lamps Included Lamps Included and Installed

Lamp Guard
Not available with upper optics option U



Response Daylight (Integrated Controls)
For details visit www.ledalite.com/response



Achieva®

Suspended
Direct/Indirect
2 T5HO



Photometry Optics WN White Louver

Report Summary

Report # 2101273
Filename 8816H02WN.ies
Efficiency 86.7%

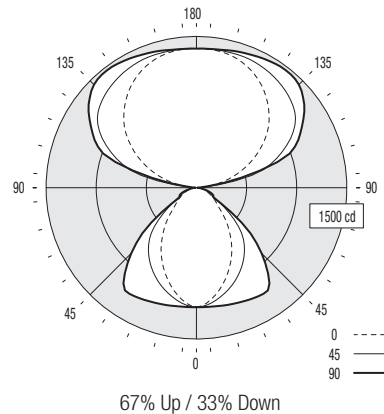
Peak Candela Value* 1467 @ 143°
Peak to Zenith Ratio* 1.1 : 1

* Between 90-180° vertical angle

Meets RP-1-04 recommendations for VDT-Normal spaces

Candela Distribution

Vertical Angle	Horizontal Angle					Zonal Lumens
	0	22.5	45	67.5	90	
0	1185	1185	1185	1185	1185	
5	1150	1152	1169	1180	1187	112
15	1000	1018	1084	1159	1203	307
25	810	842	971	1122	1228	457
35	593	643	828	1064	1243	535
45	374	423	637	766	919	474
55	231	242	342	365	421	290
65	146	149	168	168	187	162
75	77	74	85	87	111	90
85	23	19	25	21	30	27
90	6	8	10	10	9	
95	86	128	78	44	51	122
105	333	534	691	605	655	602
115	593	774	993	1063	1121	910
125	832	958	1206	1288	1314	1010
135	1024	1106	1295	1424	1445	975
145	1175	1221	1345	1447	1466	836
155	1286	1306	1375	1429	1436	631
165	1355	1359	1382	1405	1405	392
175	1379	1380	1382	1383	1382	134
180	1380	1380	1380	1380	1380	



Coefficients of Utilization (%)

Ceiling: Wall:	80				70				50				0			
	70	50	30	10	70	50	30	10	50	30	10	0	70	50	30	10
0 RCR	88	88	88	88	79	79	79	62	62	62	26					
1	81	77	74	72	73	70	67	55	53	52	23					
2	74	68	63	59	66	61	57	49	46	43	20					
3	68	60	54	49	61	54	49	43	40	37	17					
4	62	53	47	42	55	48	43	39	35	32	15					
5	57	47	41	36	51	43	37	34	30	27	13					
6	52	43	36	31	47	39	33	31	27	24	12					
7	48	38	32	27	43	35	29	28	24	21	10					
8	45	35	28	24	40	32	26	26	21	19	9					
9	42	32	25	21	37	29	23	23	19	17	8					
10	39	29	23	19	35	26	21	21	18	15	8					

Based on a floor reflectance of 0.2

Avg. Luminance (cd/m²)

Vertical Angle	Horizontal Angle		
	0	45	90
55	3283	4860	5983
65	2816	3240	3607
75	2425	2677	3496
85	2151	2338	2806

IES files for this and other photometric options can be downloaded online at www.ledalite.com

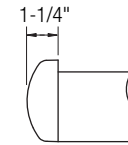
Additional Information

Modules

Module length excludes endcaps.
Nominal mount spacing for individually mounted modules with fixed position mounts.

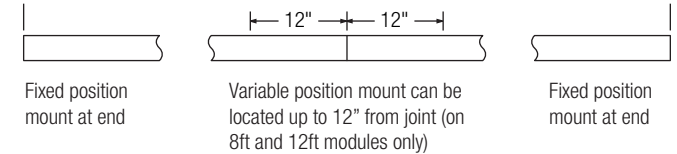
Module	Mount Spacing
4ft	4' 0"
8ft	8' 0"
12ft	12' 0"

Endcap



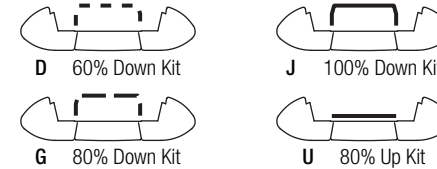
Mounting in Runs

Fixed position mounts supplied standard at ends.
Variable position mounts supplied standard at joints.
Variable position mounts cannot be located on 4ft modules. Optional variable position mounts at ends available upon request (8ft and 12ft modules only).



Upper Optics

Downlight kits and lamp separators are not recommended with white louvers (lower optics option W), due to potential for excessive louver brightness or shadowing.



Specifications

Due to continuing product improvements, Ledalite reserves the right to change specifications without notice.

Housing

6063 T5 extruded aluminum.

Weight

2.7 lb/ft.

Optical System

Constructed of 96% reflective white steel to produce a direct/indirect distribution. Louvers are available in white blades and aluminum specular or semi-specular blades. White louver blades are spaced 1.3" apart and are 1.1" deep (34 cells per 4ft section). Standard specular and semi-specular louver blades are spaced 3" apart and are 1" deep (15 cells per 4ft section). Specular VDT and semi-specular VDT louver blades are spaced 1.5" apart and are 1" deep (30 cells per 4ft section). Optional field-installable Variable Optics kits provide additional up or downlight as required.

Endcaps

Aluminum die-cast endcaps, baked powder coat finish for color.

Joints

Self-aligning joining system.

Mounting

Fixed position mounts supplied standard at ends. Variable position mounts supplied standard at joints. Variable position mounts can be located on 8ft or 12ft modules within 12" of joint or end. Aircraft cable gripper is tamper-resistant and provides infinite vertical adjustment capability. Aircraft cable, crimp and cable gripper independently tested to meet stringent safety requirements.

Electrical

Factory pre-wired to section ends with quick-wire connectors.

Ballast

Electronic.

Approvals

Certified to UL and CSA standards.

Finish

High-quality powder coat. Available in Ledalite Standard White (textured matte finish), and a selection of other factory and customer-specified colors. Consult factory for details.