

Achieva®

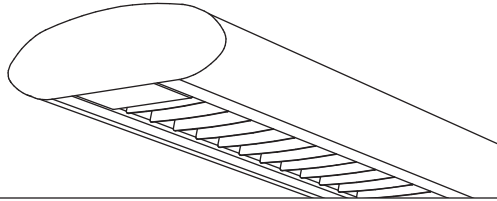


Project Name

Spec Type

Notes

Suspended
Direct/Indirect
1 T5HO



Order Guide

Some combinations of product options may not be available. Consult factory for assistance with your specification.

8816	H01			-		-		-	
Product Series & Type Achieva Direct/Indirect	Lamping 1 T5HO	Lower Optics W White Louver (34*) P Semi-Specular Louver (15*) S Specular Louver (15*) M Semi-Specular VDT Louver (30*) R Specular VDT Louver (30*)	Upper Optics N None D 60% Down Kit G 80% Down Kit J 100% Down Kit U 80% Up Kit	Run Length <i>Enter the total run length in feet (4ft increments)</i>	Wiring 1 1 cct 3 1 cct w/ Emergency cct 5 1 cct w/ Battery Pack 7 1 cct Dimming	Voltage 1 120V 2 277V 3 347V	Ballast E Standard Ballast Consult website for ballast manufacturer information	Color & Finish W Standard White C Factory Color X Custom Color Consult website for color and finish options	
Mounting Hardware									
				Mount Type		Suspension Length			
				Consult separate mounting spec sheet for mount type options		Enter distance from ceiling to top of fixture in inches			

Upgrades & Accessories

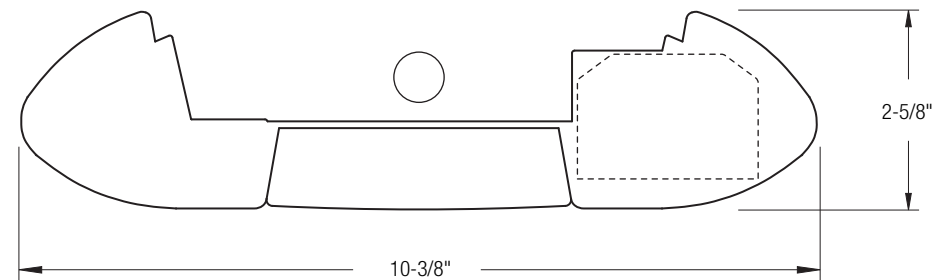
Please indicate with check mark.

Lamps Included Lamps Included and Installed

Lamp Guard
Not available with upper optics option U



Response Daylight (Integrated Controls)
For details visit www.ledalite.com/response



Suspended
Direct/Indirect
1 T5HO



Photometry Optics SU Specular Louver w/ 80% Up Kit

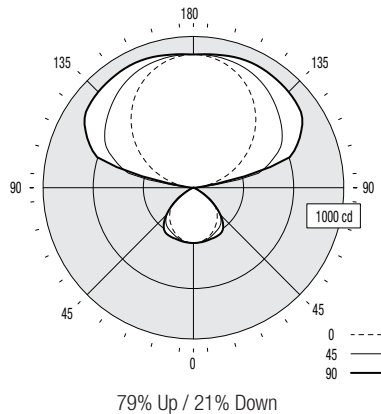
Report Summary

Report # 9900112 **Peak Candela Value*** 912 @ 153°
Filename 8816H01SU.ies **Peak to Zenith Ratio*** 1 : 1
Efficiency 93.9% * Between 90-180° vertical angle

Meets RP-1-04 recommendations for VDT-Intensive spaces

Candela Distribution

Vertical Angle	Horizontal Angle					Zonal Lumens
	0	22.5	45	67.5	90	
0	366	366	366	366	366	
5	363	364	364	365	365	36
15	345	348	353	359	361	100
25	313	318	332	351	357	155
35	271	278	308	332	340	190
45	220	234	249	256	255	186
55	145	154	143	133	124	125
65	36	40	36	28	24	37
75	3	2	0	0	0	2
85	1	0	0	0	0	0
90	0	0	0	0	0	0
95	31	87	42	36	37	80
105	160	333	489	550	530	431
115	311	449	641	738	780	585
125	455	554	714	833	873	618
135	584	655	771	868	895	586
145	696	741	823	888	907	510
155	783	808	858	900	912	394
165	844	854	875	896	902	248
175	876	878	882	885	886	86
180	881	881	881	881	881	



Coefficients of Utilization (%)

Ceiling:	80					70					50					0				
	70	50	30	10		70	50	30	10		50	30	10		0	0	0	0		
0 RCR	93	93	93	93		82	82	82	62	62	62	62	62	17						
1	85	82	78	75		75	72	70	54	53	53	51	15							
2	78	72	66	62		69	63	59	48	45	43	14								
3	71	63	57	52		63	56	51	43	39	36	12								
4	65	56	49	44		57	50	44	38	34	31	10								
5	60	50	43	37		52	44	38	34	30	27	9								
6	55	44	37	32		48	39	33	30	26	23	8								
7	51	40	33	28		44	35	30	27	23	20	7								
8	47	36	29	24		41	32	26	25	21	18	6								
9	43	33	26	22		38	29	23	22	18	16	6								
10	40	30	23	19		36	27	21	21	17	14	5								

Based on a floor reflectance of 0.2

Avg. Luminance (cd/m²)

Vertical Angle	Horizontal Angle		
	0	45	90
55	1214	1198	1038
65	409	409	273
75	56	0	0
85	55	0	0

IES files for this and other photometric options can be downloaded online at www.ledalite.com

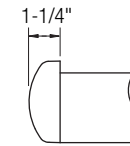
Additional Information

Modules

Module length excludes endcaps.
Nominal mount spacing for individually mounted modules with fixed position mounts.

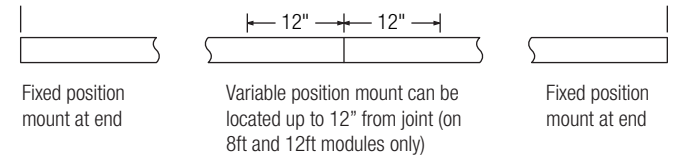
Module	Mount Spacing
4ft	4' 0"
8ft	8' 0"
12ft	12' 0"

Endcap



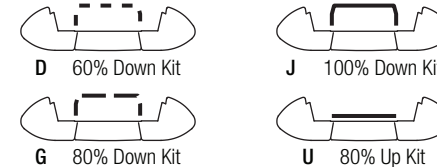
Mounting in Runs

Fixed position mounts supplied standard at ends.
Variable position mounts supplied standard at joints.
Variable position mounts cannot be located on 4ft modules. Optional variable position mounts at ends available upon request (8ft and 12ft modules only).



Upper Optics

Downlight kits and lamp separators are not recommended with white louvers (lower optics option W), due to potential for excessive louver brightness or shadowing.



Specifications

Due to continuing product improvements, Ledalite reserves the right to change specifications without notice.

Housing

6063 T5 extruded aluminum.

Weight

2.7 lb/ft.

Optical System

Constructed of 96% reflective white steel to produce a direct/indirect distribution. Louvers are available in white blades and aluminum specular or semi-specular blades. White louver blades are spaced 1.3" apart and are 1.1" deep (34 cells per 4ft section). Standard specular and semi-specular louver blades are spaced 3" apart and are 1" deep (15 cells per 4ft section). Specular VDT and semi-specular VDT louver blades are spaced 1.5" apart and are 1" deep (30 cells per 4ft section). Optional field-installable Variable Optics kits provide additional up or downlight as required.

Endcaps

Aluminum die-cast endcaps, baked powder coat finish for color.

Joints

Self-aligning joining system.

Mounting

Fixed position mounts supplied standard at ends. Variable position mounts supplied standard at joints. Variable position mounts can be located on 8ft or 12ft modules within 12" of joint or end. Aircraft cable gripper is tamper-resistant and provides infinite vertical adjustment capability. Aircraft cable, crimp and cable gripper independently tested to meet stringent safety requirements.

Electrical

Factory pre-wired to section ends with quick-wire connectors.

Ballast

Electronic.

Approvals

Certified to UL and CSA standards.

Finish

High-quality powder coat. Available in Ledalite Standard White (textured matte finish), and a selection of other factory and customer-specified colors. Consult factory for details.