

Achieva®

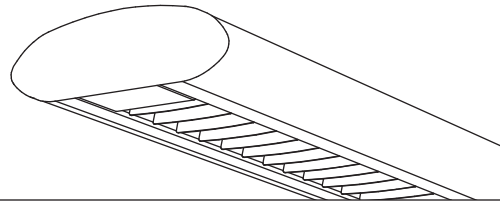


Project Name

Spec Type

Notes

Suspended
Direct/Indirect
1 T5HO



Order Guide

Some combinations of product options may not be available. Consult factory for assistance with your specification.

8816	H01			-		-		-	
Product Series & Type Achieva Direct/Indirect	Lamping 1 T5HO	Lower Optics W White Louver (34*) P Semi-Specular Louver (15*) S Specular Louver (15*) M Semi-Specular VDT Louver (30*) R Specular VDT Louver (30*)	Upper Optics N None D 60% Down Kit G 80% Down Kit J 100% Down Kit U 80% Up Kit	Run Length <i>Enter the total run length in feet (4ft increments)</i>	Wiring 1 1 cct 3 1 cct w/ Emergency cct 5 1 cct w/ Battery Pack 7 1 cct Dimming	Voltage 1 120V 2 277V 3 347V	Ballast E Standard Ballast Consult website for ballast manufacturer information	Color & Finish W Standard White C Factory Color X Custom Color Consult website for color and finish options	
									Mounting Hardware
									Mount Type
									Suspension Length <i>Enter distance from ceiling to top of fixture in inches</i>
		* Number of louver cells per 4ft section See details on reverse	See details on reverse	See details on reverse	Consult website for complete list of standard wiring options	Consult separate mounting spec sheet for mount type options			

Upgrades & Accessories

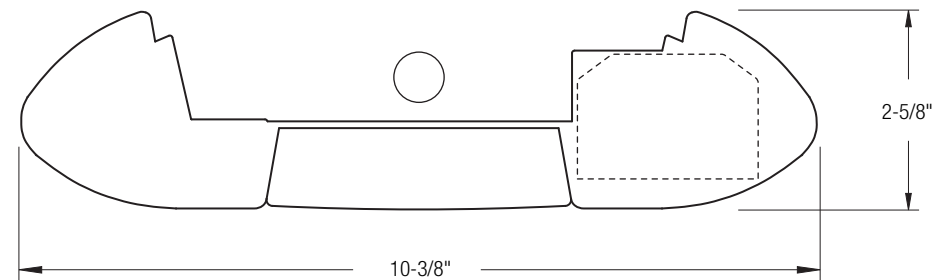
Please indicate with check mark.

Lamps Included Lamps Included and Installed

Lamp Guard
Not available with upper optics option U



Response Daylight (Integrated Controls)
For details visit www.ledalite.com/response



Suspended
Direct/Indirect
1 T5HO



Photometry Optics MU Semi-Specular VDT Louver w/ 80% Up Kit

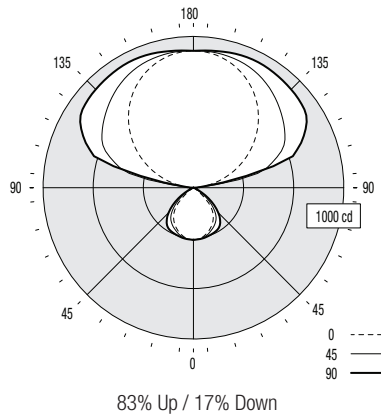
Report Summary

Report # 9900267 **Peak Candela Value*** 935 @ 153°
Filename 8816H01MU.ies **Peak to Zenith Ratio*** 1 : 1
Efficiency 92.8% * Between 90-180° vertical angle

Meets RP-1-04 recommendations for VDT-Intensive spaces

Candela Distribution

Vertical Angle	Horizontal Angle					Zonal Lumens
	0	22.5	45	67.5	90	
0	344	344	344	344	344	
5	342	342	342	343	343	33
15	319	322	328	335	337	93
25	282	287	299	319	327	139
35	230	239	261	290	305	165
45	143	159	185	214	233	141
55	25	38	80	108	123	69
65	4	6	7	20	25	15
75	2	2	1	1	1	2
85	1	0	0	0	0	0
90	0	0	0	0	0	0
95	40	101	42	41	41	86
105	178	357	505	568	550	449
115	331	468	664	770	810	611
125	478	573	734	860	901	639
135	610	675	791	890	919	603
145	722	762	843	910	930	524
155	809	831	880	922	935	406
165	870	879	899	919	925	254
175	901	903	906	909	911	88
180	905	905	905	905	905	



Coefficients of Utilization (%)

Ceiling: Walk:	80			70			50			0	
	70	50	30	70	50	30	50	30	10	0	
0 RCR	91	91	91	91	80	80	80	59	59	59	14
1	84	80	77	74	73	70	68	52	50	49	12
2	76	70	65	61	67	62	58	46	43	41	11
3	70	62	56	51	61	55	49	41	37	35	10
4	64	55	48	43	56	48	43	36	33	30	8
5	59	49	42	37	51	43	37	32	29	26	8
6	54	44	37	32	47	39	33	29	25	22	7
7	50	39	32	28	43	35	29	26	22	19	6
8	46	35	29	24	40	31	26	24	20	17	5
9	43	32	26	21	37	28	23	22	18	15	5
10	40	29	23	19	35	26	21	20	16	13	4

Based on a floor reflectance of 0.2

Avg. Luminance (cd/m²)

Vertical Angle	Horizontal Angle		
	0	45	90
55	355	1137	1748
65	77	135	482
75	63	31	31
85	94	0	0

IES files for this and other photometric options can be downloaded online at www.ledalite.com

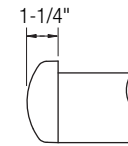
Additional Information

Modules

Module length excludes endcaps.
Nominal mount spacing for individually mounted modules with fixed position mounts.

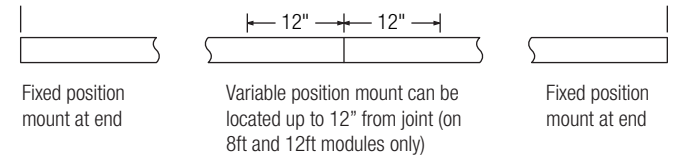
Module	Mount Spacing
4ft	4' 0"
8ft	8' 0"
12ft	12' 0"

Endcap



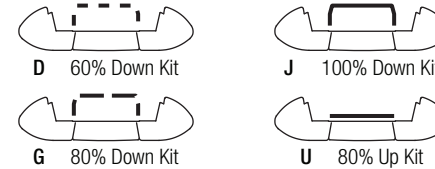
Mounting in Runs

Fixed position mounts supplied standard at ends.
Variable position mounts supplied standard at joints.
Variable position mounts cannot be located on 4ft modules. Optional variable position mounts at ends available upon request (8ft and 12ft modules only).



Upper Optics

Downlight kits and lamp separators are not recommended with white louvers (lower optics option W), due to potential for excessive louver brightness or shadowing.



Specifications

Due to continuing product improvements, Ledalite reserves the right to change specifications without notice.

Housing

6063 T5 extruded aluminum.

Weight

2.7 lb/ft.

Optical System

Constructed of 96% reflective white steel to produce a direct/indirect distribution. Louvers are available in white blades and aluminum specular or semi-specular blades. White louver blades are spaced 1.3" apart and are 1.1" deep (34 cells per 4ft section). Standard specular and semi-specular louver blades are spaced 3" apart and are 1" deep (15 cells per 4ft section). Specular VDT and semi-specular VDT louver blades are spaced 1.5" apart and are 1" deep (30 cells per 4ft section). Optional field-installable Variable Optics kits provide additional up or downlight as required.

Endcaps

Aluminum die-cast endcaps, baked powder coat finish for color.

Joints

Self-aligning joining system.

Mounting

Fixed position mounts supplied standard at ends. Variable position mounts supplied standard at joints. Variable position mounts can be located on 8ft or 12ft modules within 12" of joint or end. Aircraft cable gripper is tamper-resistant and provides infinite vertical adjustment capability. Aircraft cable, crimp and cable gripper independently tested to meet stringent safety requirements.

Electrical

Factory pre-wired to section ends with quick-wire connectors.

Ballast

Electronic.

Approvals

Certified to UL and CSA standards.

Finish

High-quality powder coat. Available in Ledalite Standard White (textured matte finish), and a selection of other factory and customer-specified colors. Consult factory for details.